

SPEED3 & FOCUS RS CAMBER PLATE INSTRUCTIONS

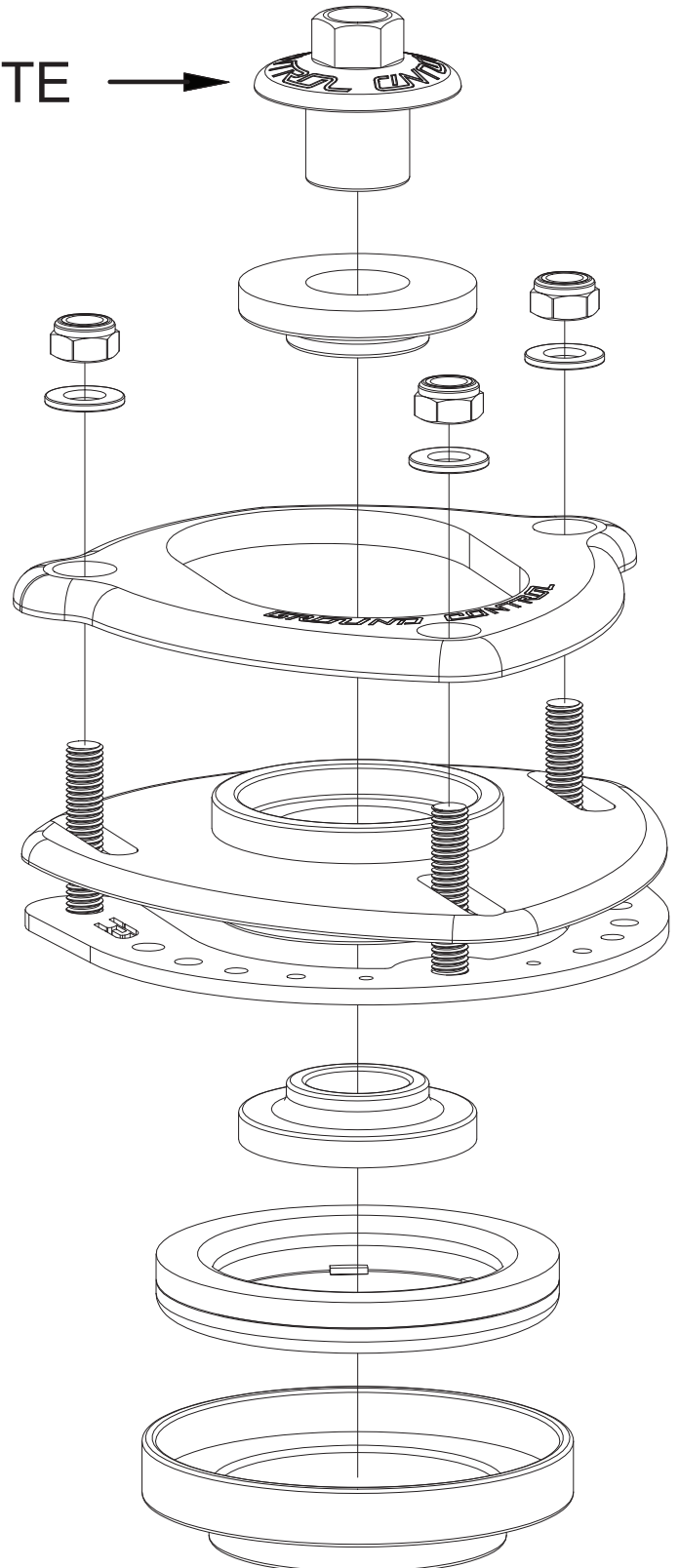
GROUND CONTROL

www.groundcontrolstore.com
3885 Dividend Drive
Shingle Springs, CA 95682
(530)677-8600 fax (530)677-9090

TORQUE TO 25 FT/LBS
AND USE SUPPLIED LOCTITE
ON INNER THREADS

ABOVE
STRUT TOWER

BELOW
STRUT TOWER



WARNING:

NEVER USE POWER TOOLS
TO TIGHTEN NUTS

TORQUE TO
18 FT/LBS

