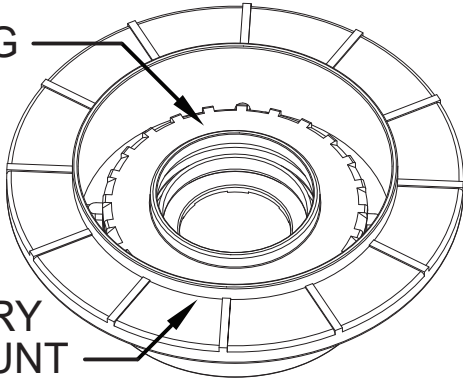


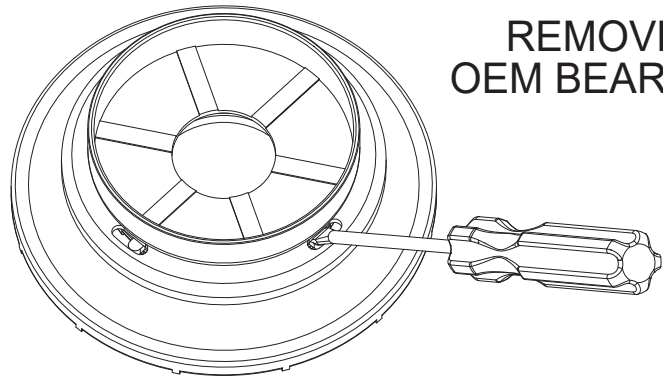
# S550 MUSTANG PLATE INSTRUCTIONS

BEARING

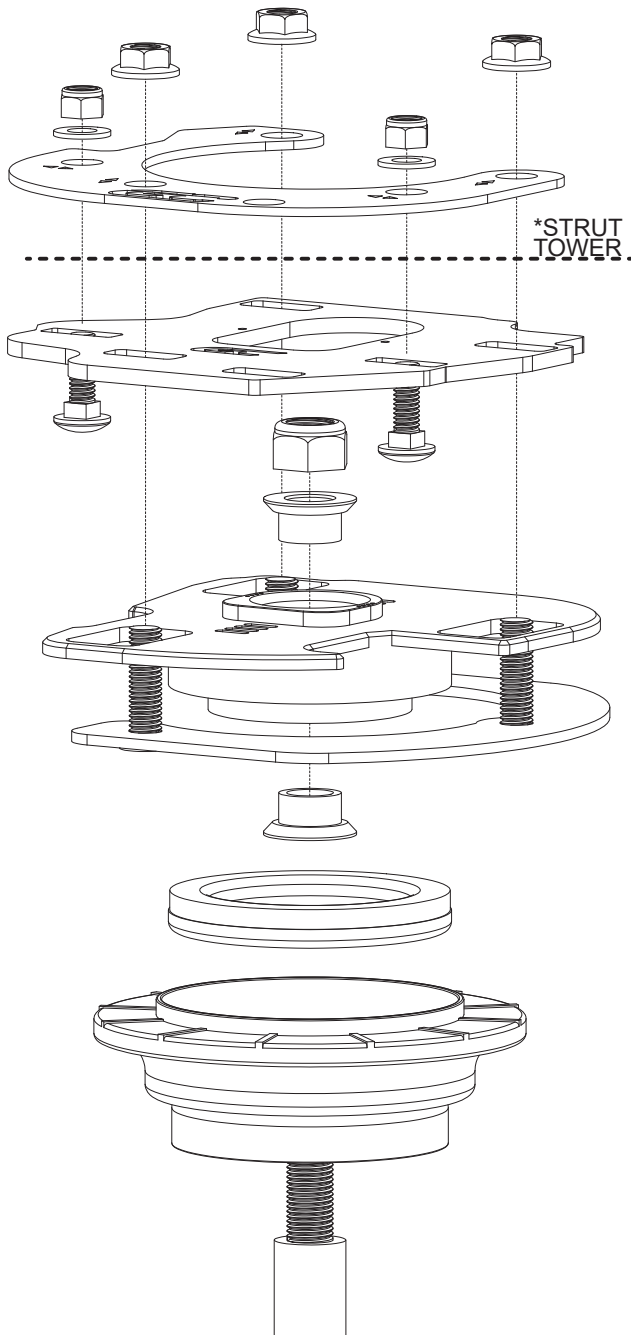


FACTORY  
TOP MOUNT

REMOVE  
OEM BEARING

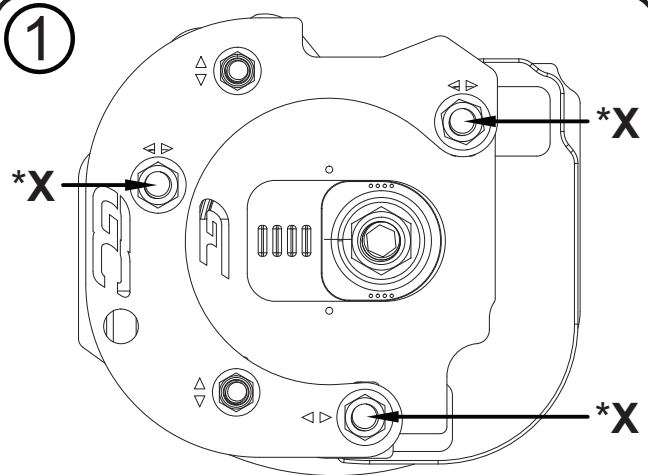


TORQUE NUTS TO 18 FT/LBS



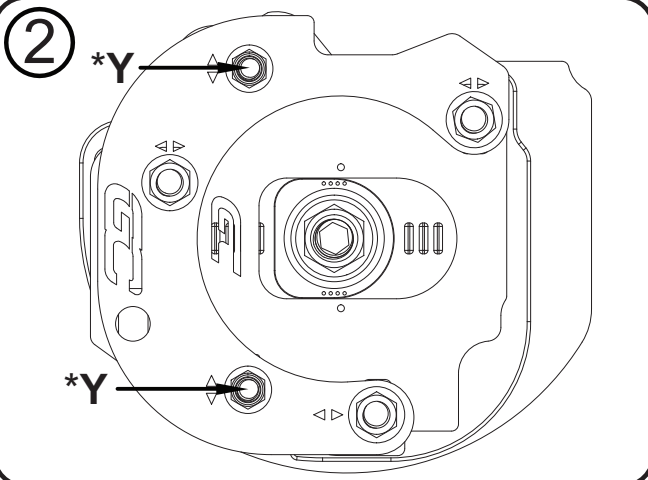
\*STRUT  
TOWER.

1



RACE POSITION  
(HIGH NEGATIVE CAMBER)

2



STOCK CAMBER POSITION  
(LOW NEGATIVE CAMBER)

↑ FRONT DRIVER VIEW ↑

- ADJUST **CAMBER** BY LOOSENING NUTS MARKED X IN EXAMPLE 1
- ADJUST **CASTER** BY LOOSENING NUTS MARKED X AND Y IN EXAMPLES 1 AND 2

**GROUND CONTROL**

www.groundcontrolstore.com  
3885 Dividend Drive, Shingle Springs, CA 95682  
(530)677-8600