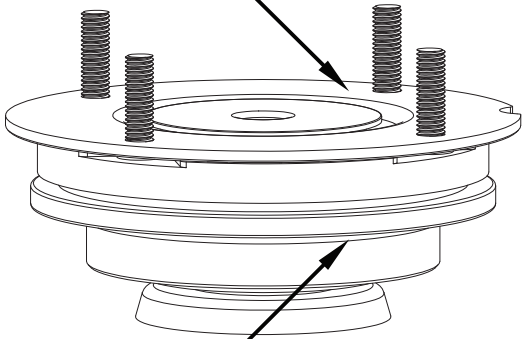


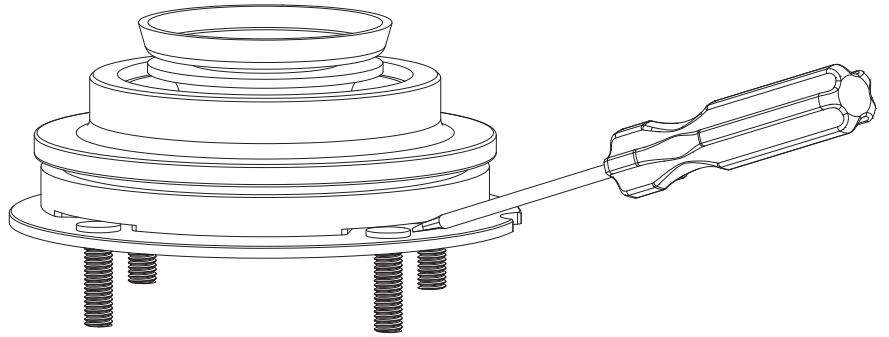
S197 MUSTANG PLATE INSTRUCTIONS

OEM STRUT MOUNT



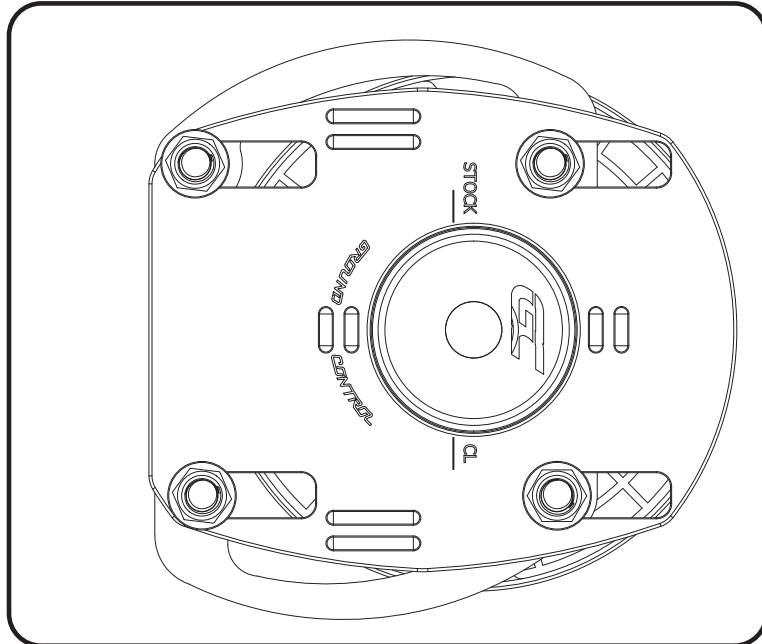
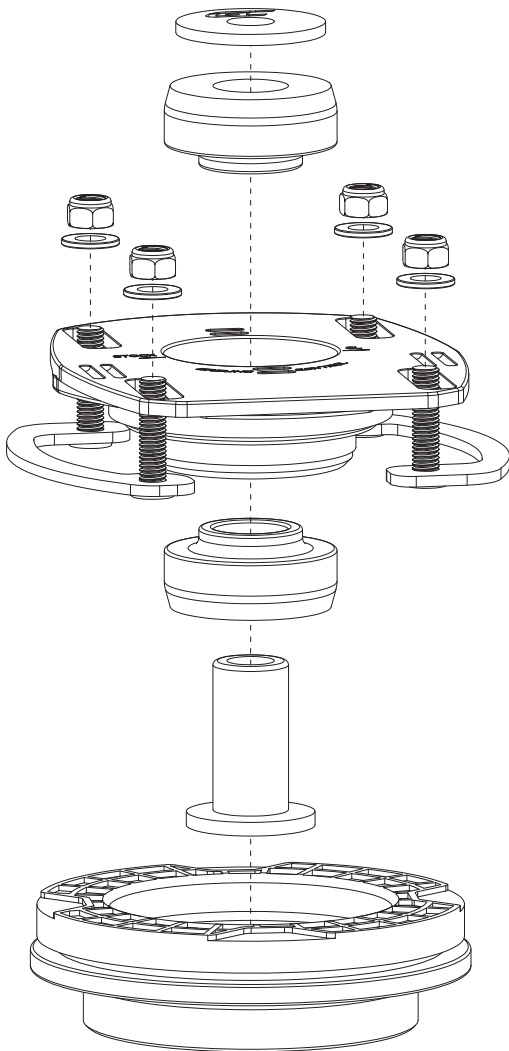
BEARING

REMOVE BEARING FROM STRUT MOUNT

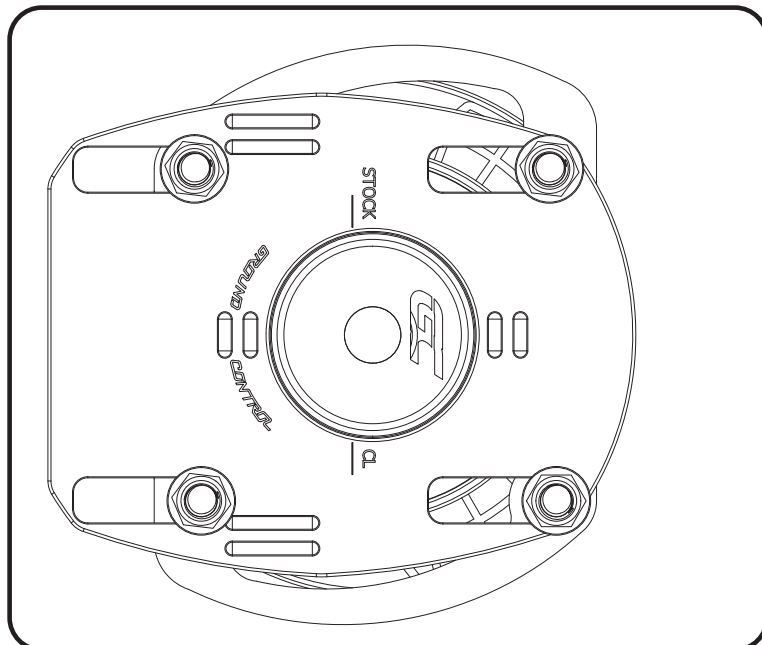


BEARING IS FRAGILE. DO NOT FORCE

TORQUE NUTS TO 18 FT/LBS



RACE POSITION
(HIGH NEGATIVE CAMBER)



OEM CAMBER POSITION
(LOW NEGATIVE CAMBER)

GROUND CONTROL

www.groundcontrolstore.com

3885 Dividend Drive, Shingle Springs, CA 95682
(530)677-8600