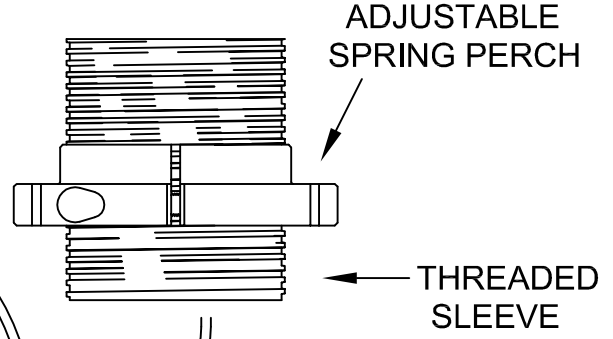
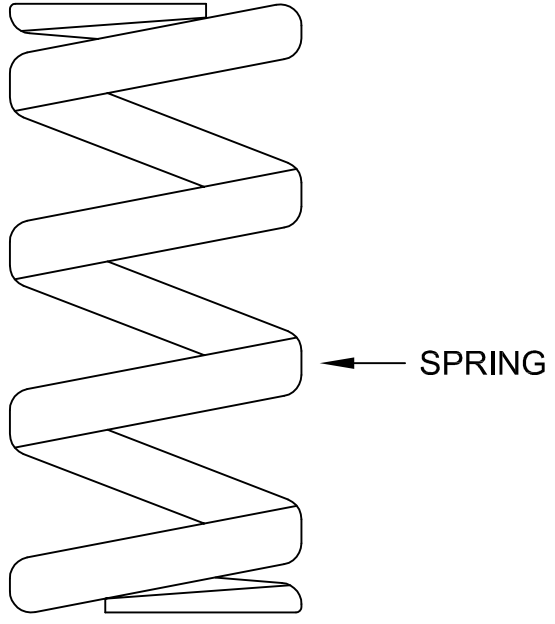
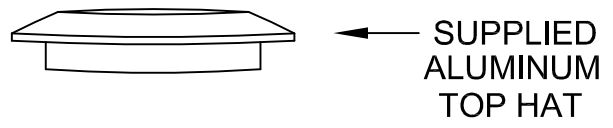
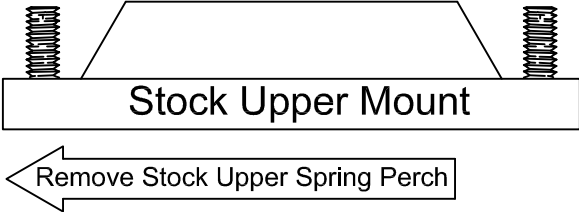
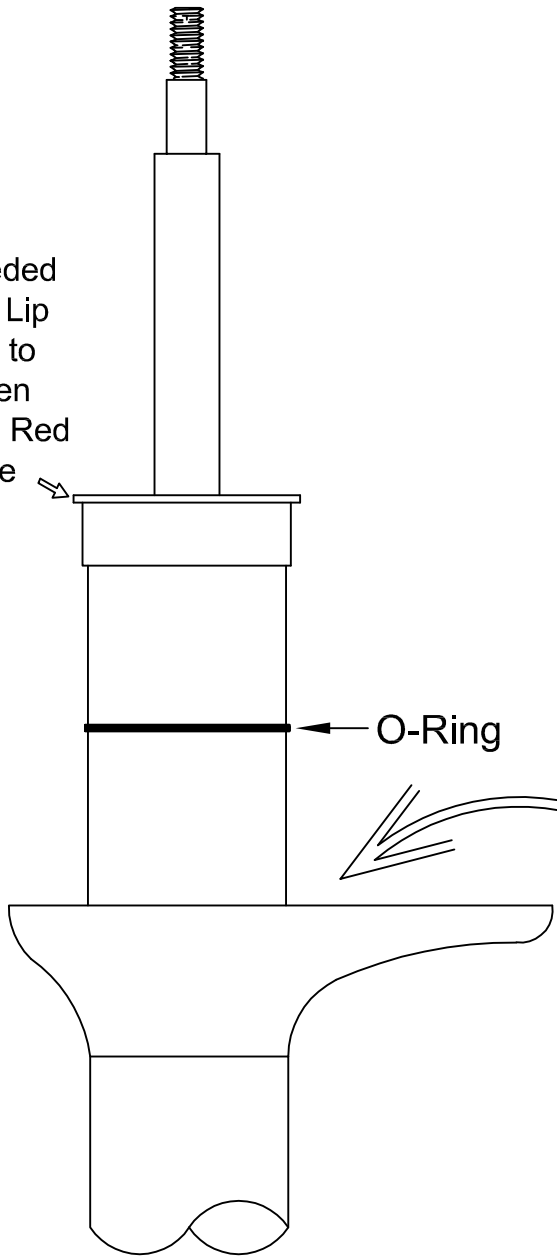


# Neon SRT-4 Rear



If Needed  
Grind Lip  
Down to  
2" Then  
Install Red  
Sleeve

This text provides a note for the installation of the red sleeve on the shock absorber.



**GROUND CONTROL**  
www.groundcontrolstore.com  
3885 Dividend Drive  
Shingle Springs, CA 95682  
(530)677-8600 fax (530)677-9090