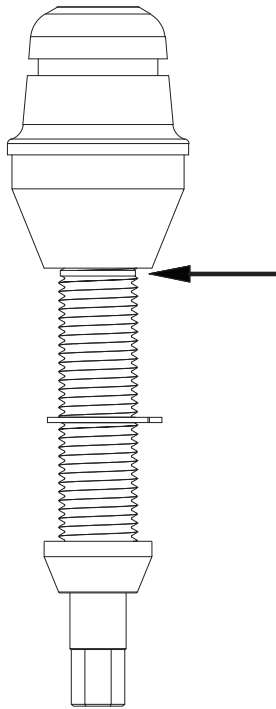
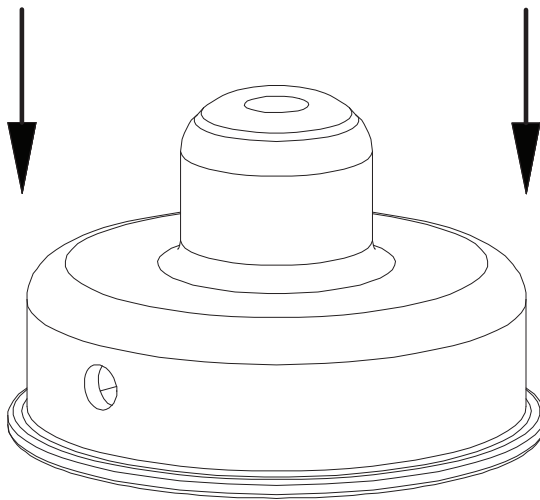
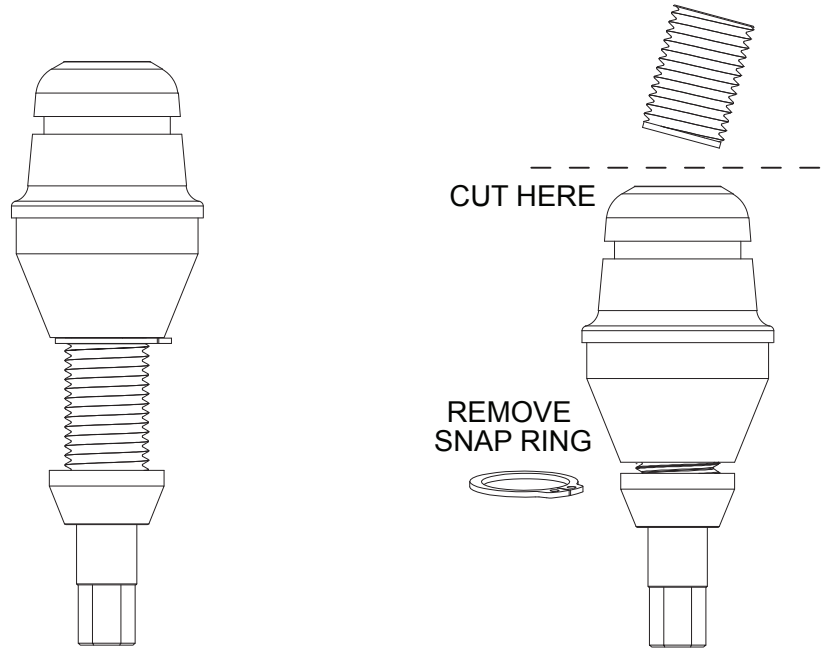


F3X / F8X / E9X WEIGHT JACK INSTRUCTIONS

DO NOT EXTEND BEYOND THIS POINT



CUT THREADED ROD WHEN LOWERING ADJUSTER BELOW SNAP RING



REMOVE UPPER SPRING CAP FROM THE BODY OF THE CAR AFTER REMOVING REAR SHOCK AND SPRING

USE THE WEIGHT OF THE CAR TO SEAT INSERT INTO THE BODY. DO NOT PRESS BY HAND

COAT THREADS WITH ANTI-SEIZE

USE 13mm SOCKET TO ADJUST HEIGHT

