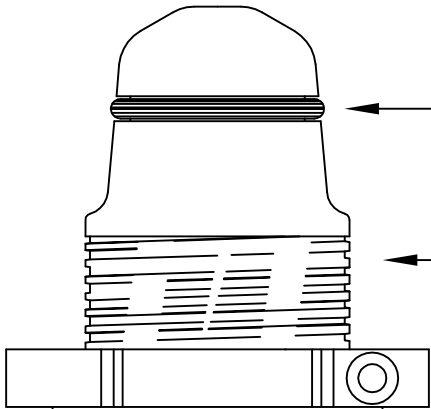


BMW E92 REAR ADJUSTER

REMOVE STOCK UPPER PAD

PRESS ADJUSTER INTO CHASSIS



O-RING

THREADED SLEEVE

ADJUSTABLE SPRING PERCH

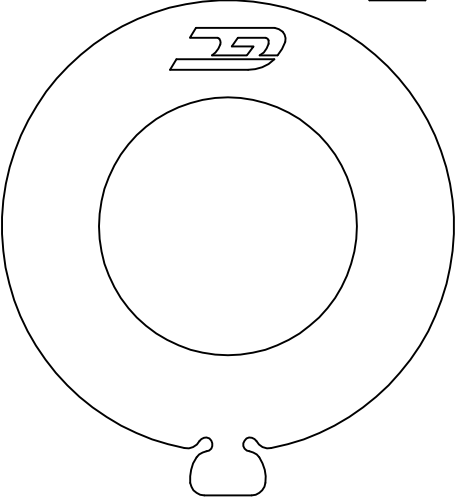
SPRING

FIT ISOLATOR TO LOWER ARM

SPRING ISOLATOR

REMOVE STOCK LOWER PAD

Drain Hole



FIT PADDLE INTO DRAIN HOLE IN LOWER ARM

Control Arm

FIT ADJUSTER INTO CHASSIS

www.groundcontrolstore.com

PLACE SPRING, ISOLATOR AND PADDLE ONTO LOWER ARM

BE SURE SPRING SEATS PROPERLY WHEN LOWERING CAR