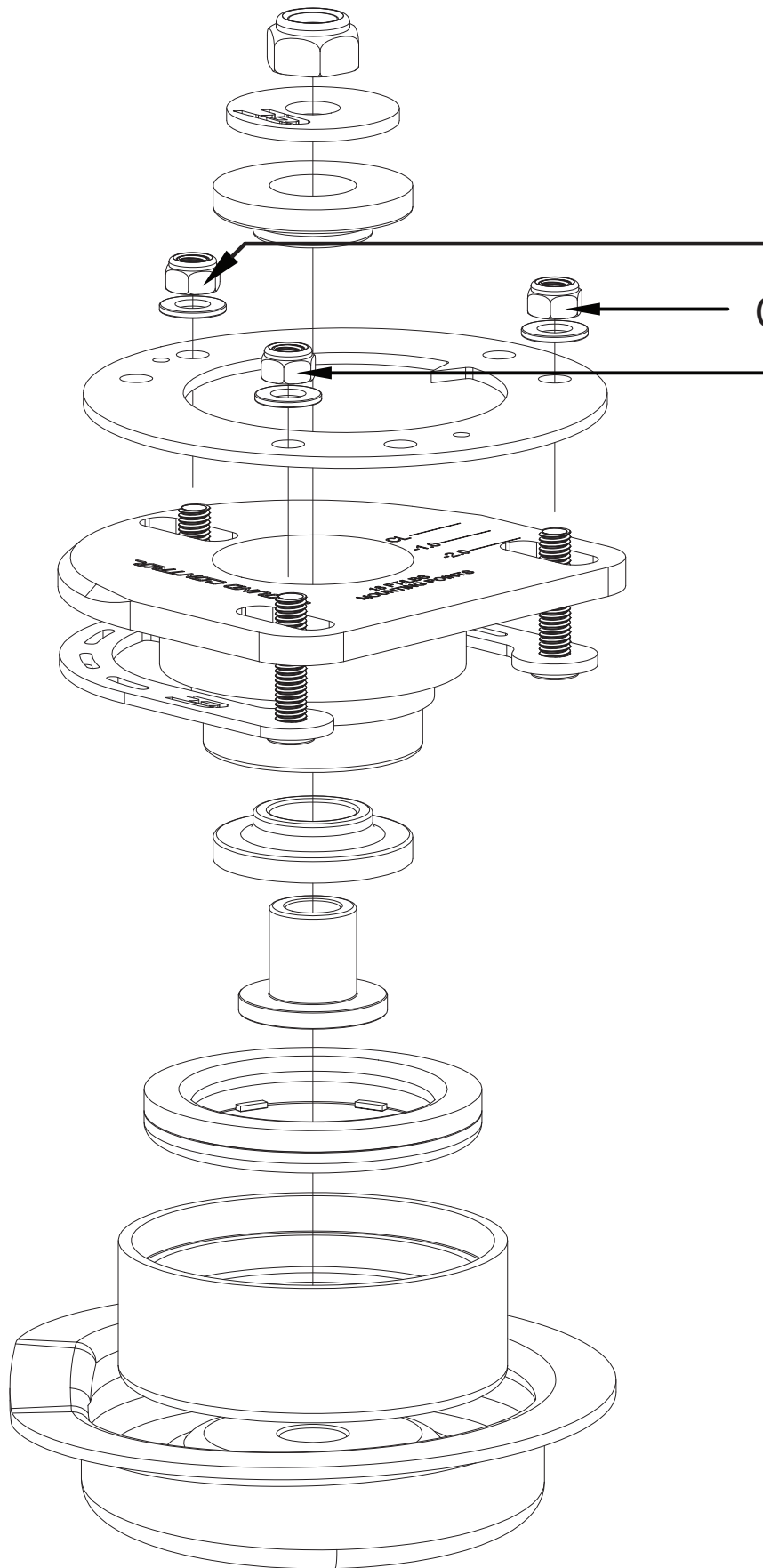
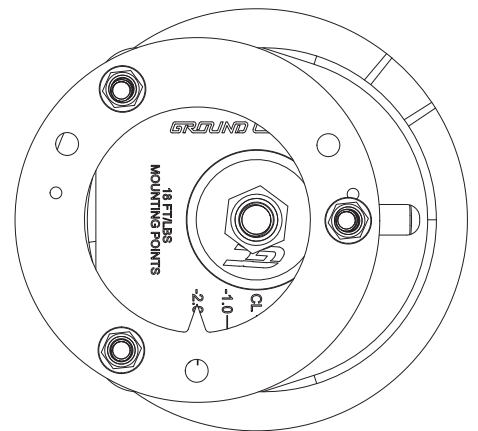


E46 M & NON-M STREET CAMBER PLATES



REUSE FACTORY
COUNTER SUNK NUTS
(TORQUE TO 18 ft/lbs)

HIGH NEGATIVE
CAMBER POSITION



GROUND CONTROL

www.groundcontrolstore.com
3885 Dividend Drive
Shingle Springs, CA 95682
(530)677-8600 fax (530)677-9090