

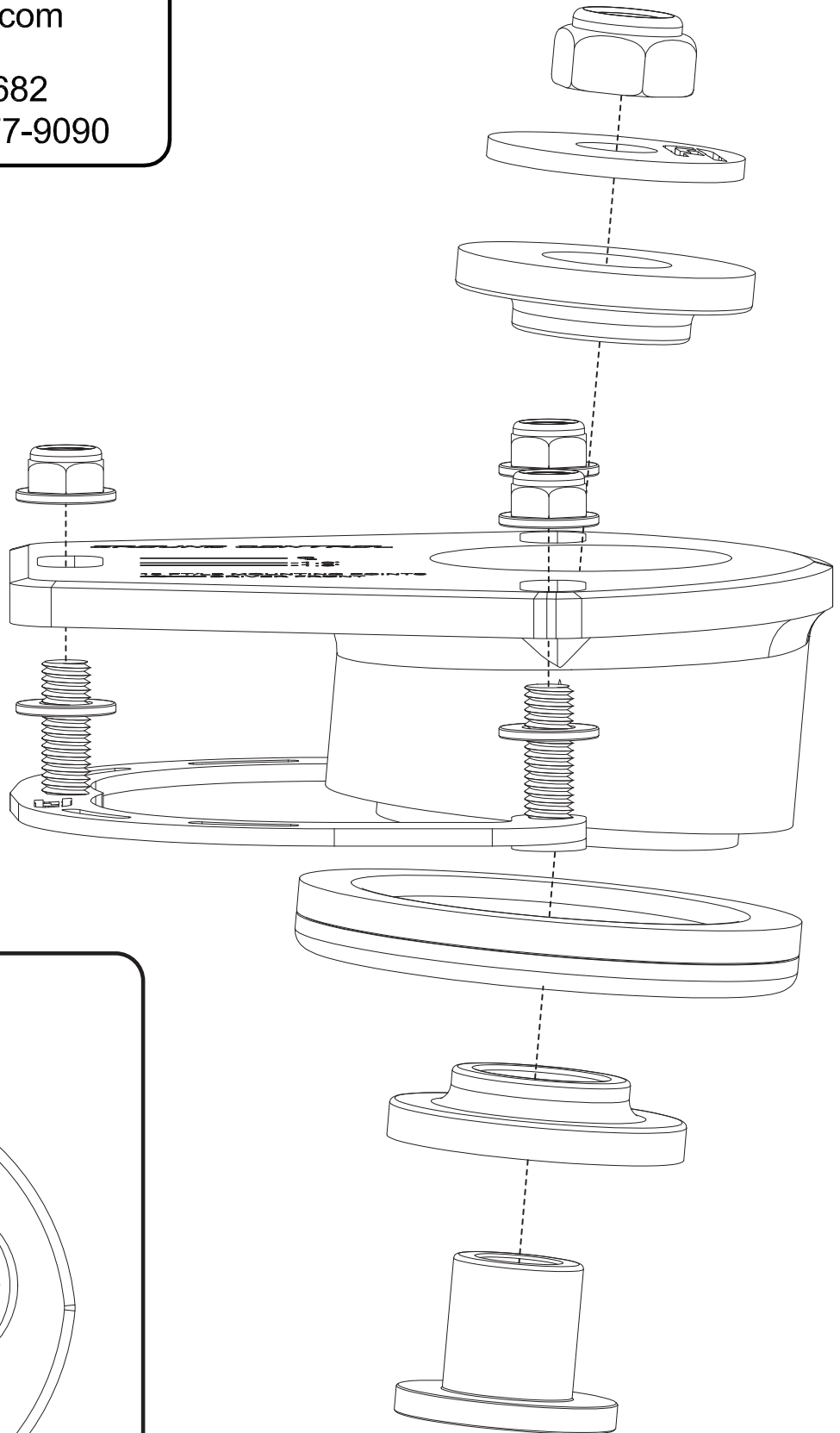
E36 M3 STREET CAMBER PLATE INSTRUCTIONS

GROUND CONTROL

www.groundcontrolstore.com
3885 Dividend Drive
Shingle Springs, CA 95682
(530)677-8600 fax (530)677-9090

ABOVE
STRUT TOWER →

BELOW
STRUT TOWER →



TORQUE TO
18 FT/LBS

