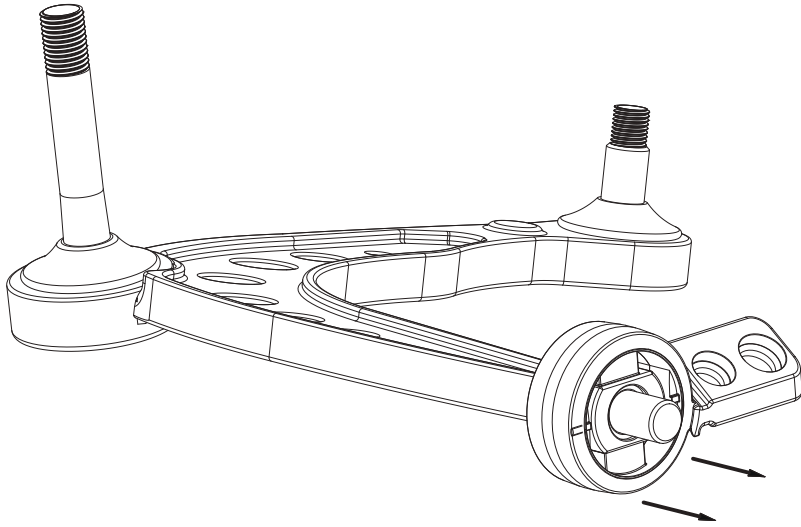
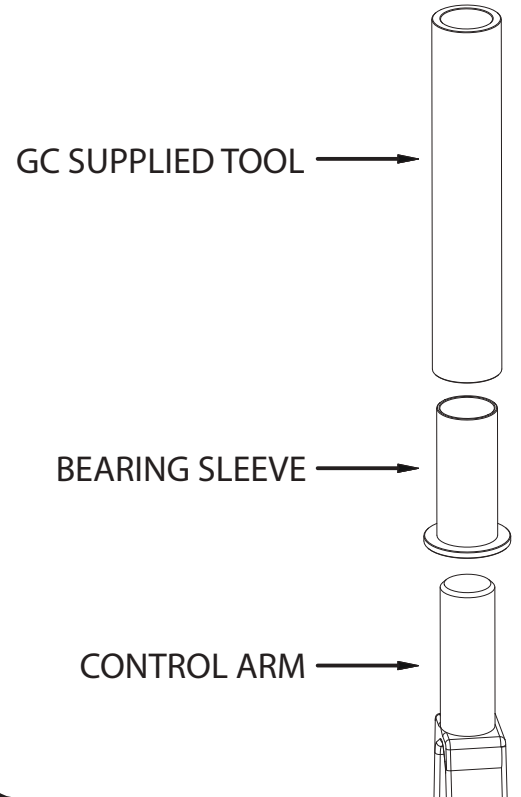


E30/E36 FRONT LOWER CONTROL ARM BEARING INSTRUCTIONS

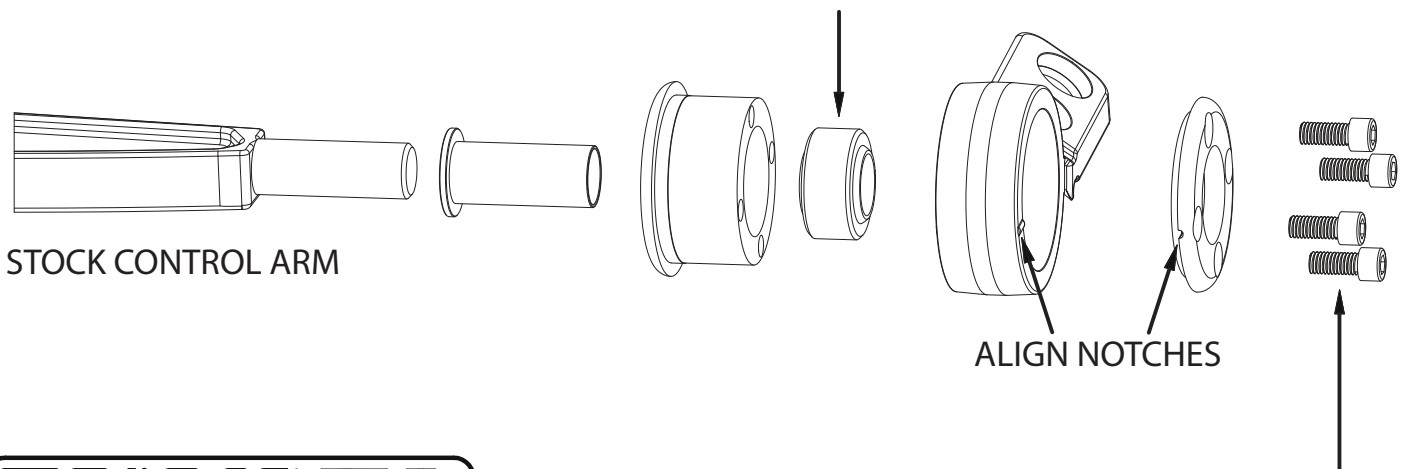


REMOVE STOCK BUSHING FROM CONTROL ARM
DO NOT DAMAGE CONTROL ARM MOUNTING SURFACE

USE GC SUPPLIED TOOL TO
PRESS SLEEVE ONTO CONTROL ARM



BEARING IS ALLOWED TO SLIDE
FRONT TO REAR FOR SELF-ALIGNMENT



GROUND CONTROL

www.groundcontrolstore.com
3885 Dividend Drive
Shingle Springs, CA 95682
(530)677-8600 fax (530)677-9090

- USE LOCTITE ON BOLTS
- TIGHTEN 4 BOLTS TO 24 Ft/Lbs
- KEEP NOTCHES ALIGNED