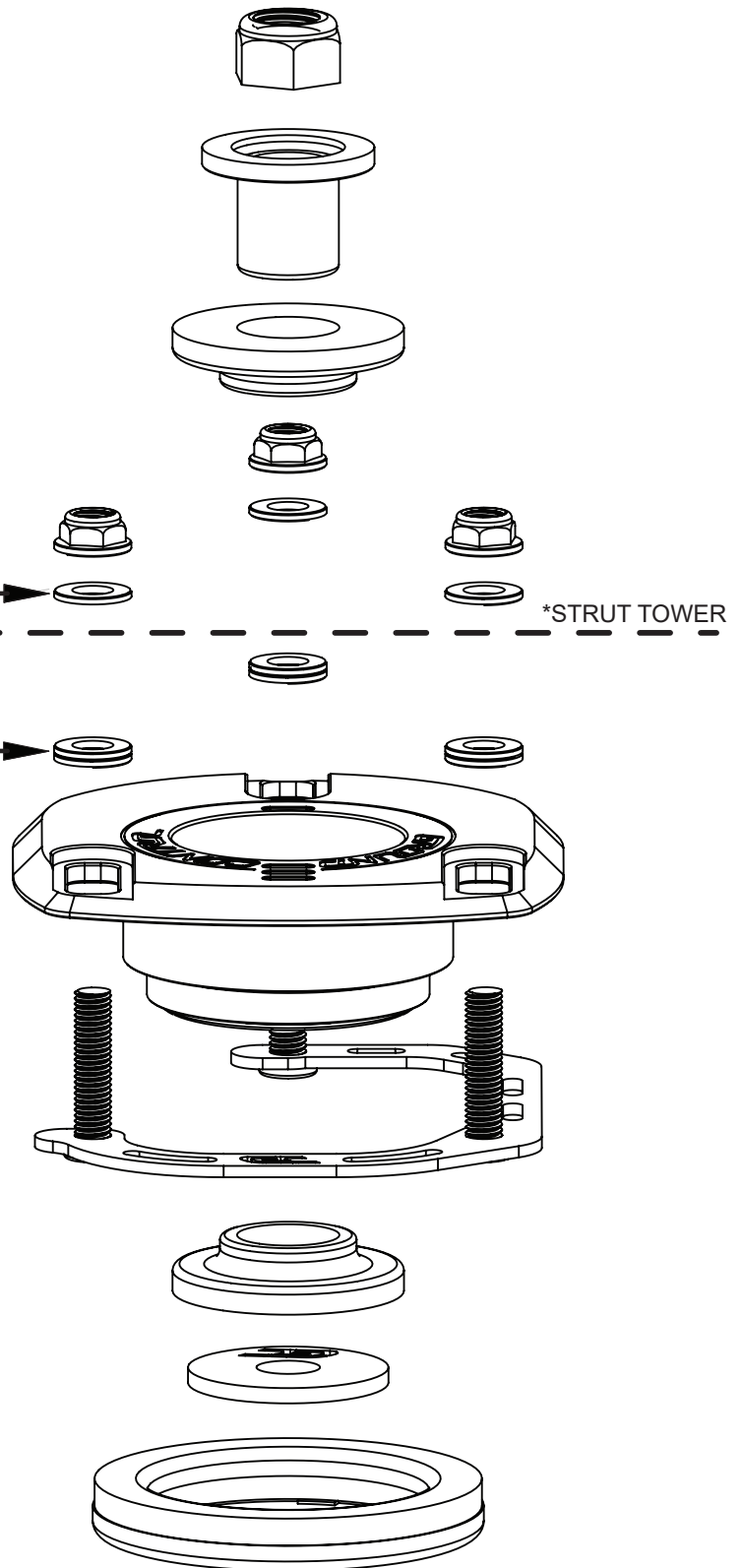


BMW E30 STREET PLATE INSTRUCTIONS

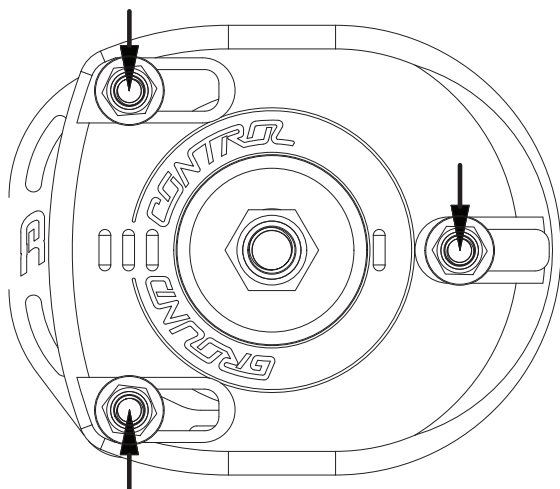
SINGLE LARGE WASHER
ABOVE STRUT TOWER



TWO SMALL WASHERS
BELOW STRUT TOWER



TORQUE TO
18 FT/LBS



HIGH POSITIVE
CAMBER POSITION

↓ DRIVER
FRONT ↓

GROUND CONTROL

www.groundcontrolstore.com
3885 Dividend Drive
Shingle Springs, CA 95682
(530)677-8600 fax (530)677-9090