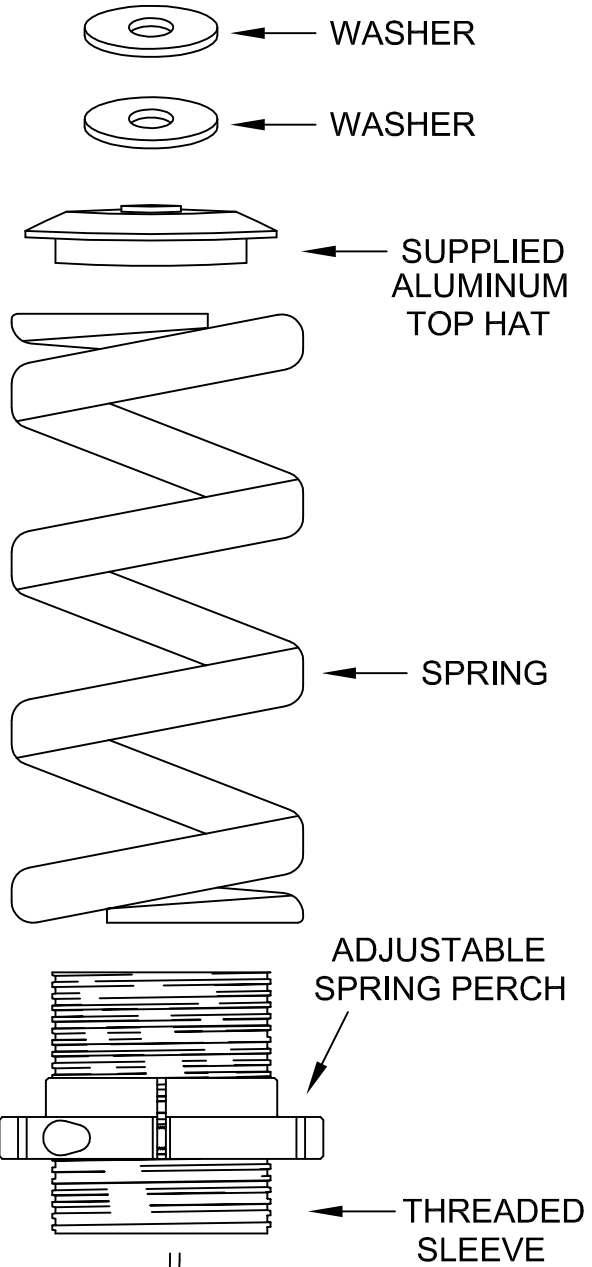
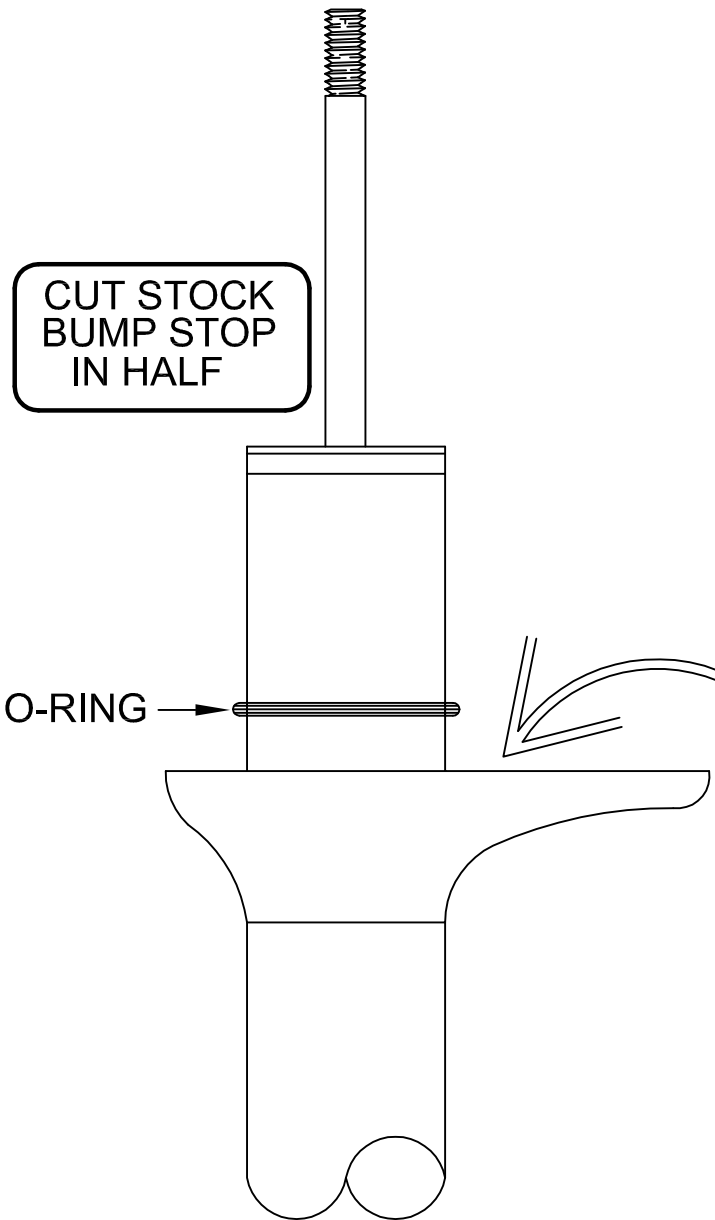


E30 IX FRONT

STRUT TOP NUT
INSTALLED AFTER
THREADED COLLAR
IS INSTALLED

CUT STOCK
BUMP STOP
IN HALF



GROUND CONTROL
www.groundcontrolstore.com
3885 Dividend Drive
Shingle Springs, CA 95682
(530)677-8600 fax (530)677-9090