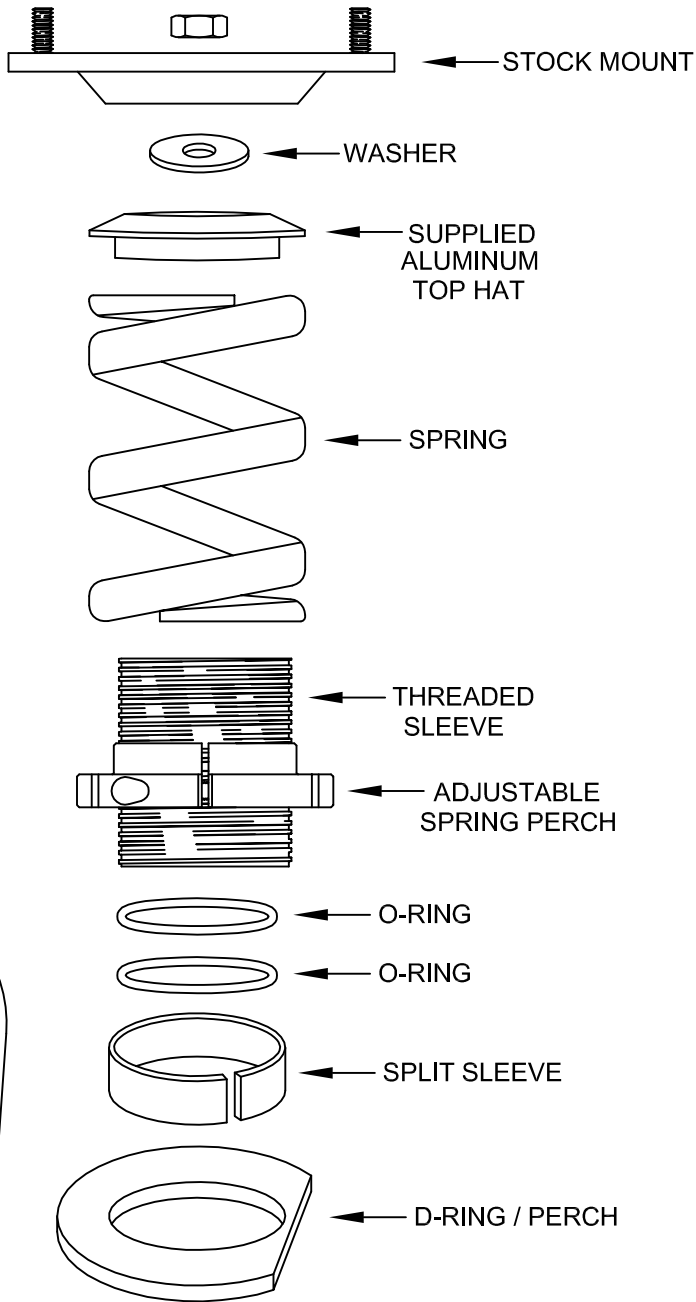
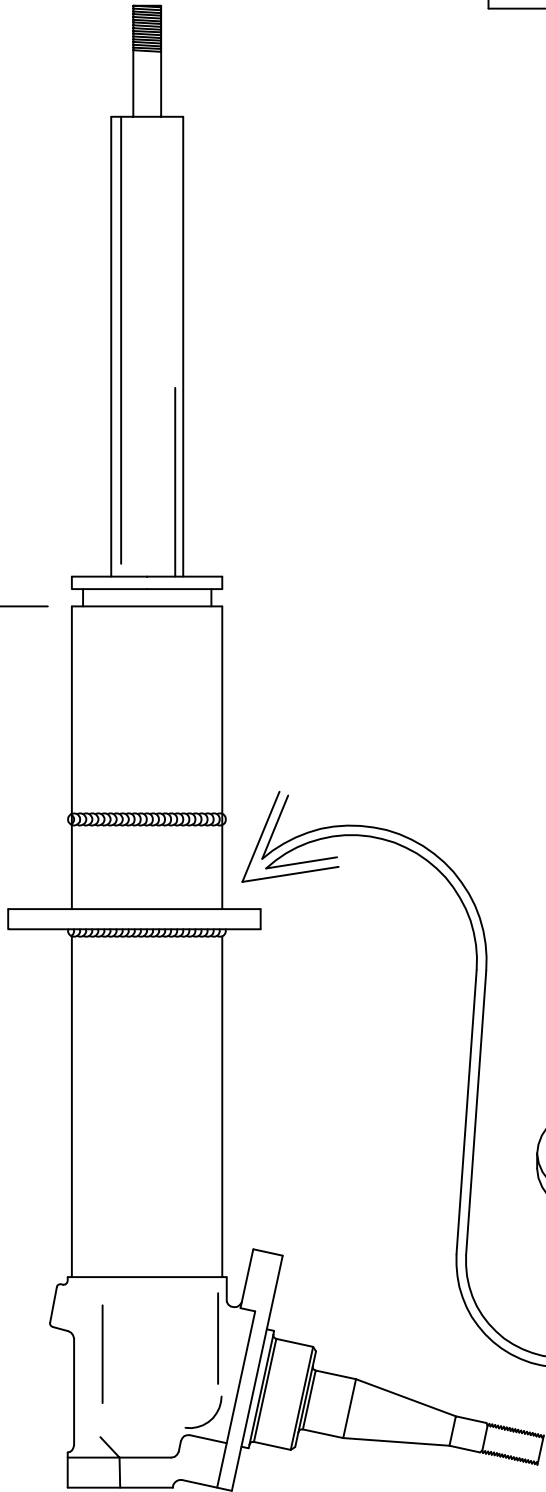


BMW E21 WELD KIT

THREADED SLEEVE
MUST FIT BELOW TOP
OF STRUT HOUSING
AND FIRMLY AGAINST
THE WELDED ON
SPRING PERCH

CHECK FIT BEFORE
WELDING PERCH
TO HOUSING

DIMENSION
"A"



MODEL	DIMENSION
BMW E21	→ 4" ↔ A ←

GROUND CONTROL
www.ground-control.com
 3885 Dividend Drive
 Shingle Springs, CA 95682
 (530)677-8600 fax (530)677-9090