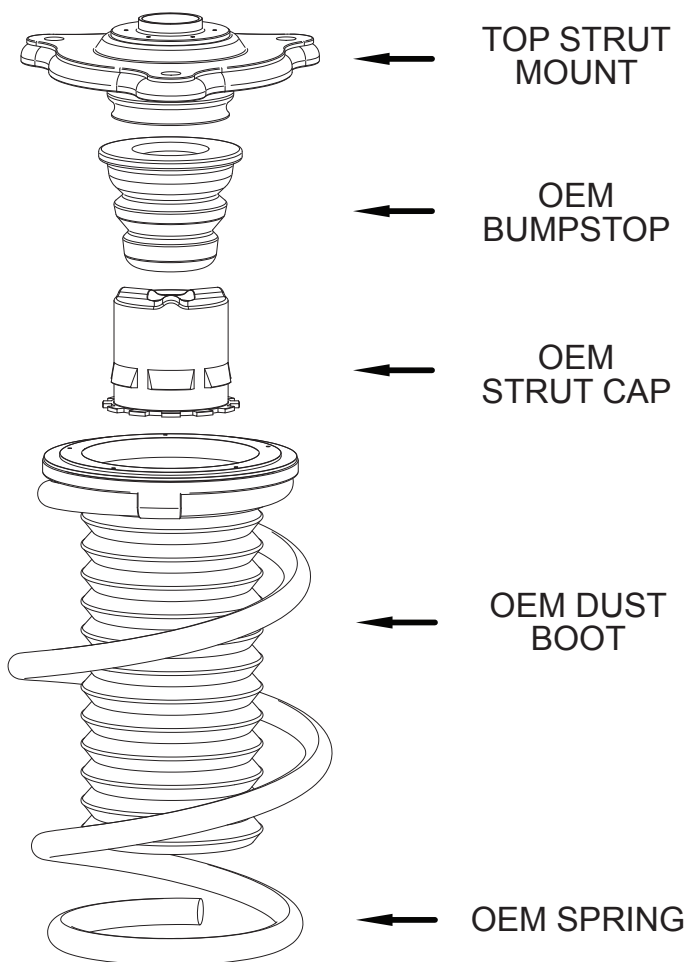


2016 - CIVIC FRONT COILOVER INSTALLATION INSTRUCTIONS

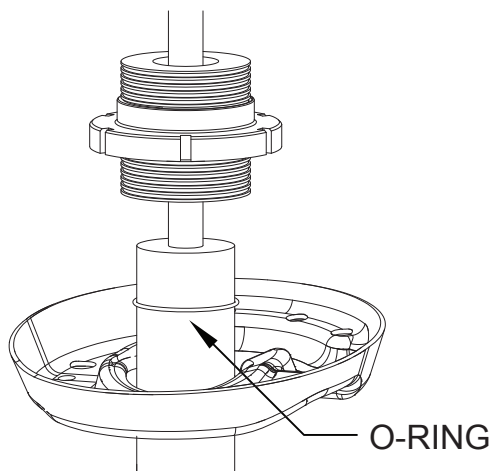
GROUND CONTROL

www.groundcontrolstore.com
3885 Dividend Drive
Shingle Springs, CA 95682
(530)677-8600 fax (530)677-9090

1. REMOVE STRUT FROM CAR
2. REMOVE THE FOLLOWING PARTS FROM OEM STRUT



3. INSTALL O-RING AND
THREADED ADJUSTER



USE SUPPLIED
NUT

*STRUT
TOWER

INSTALL CAMBER
PLATE BELOW
STRUT TOWER

