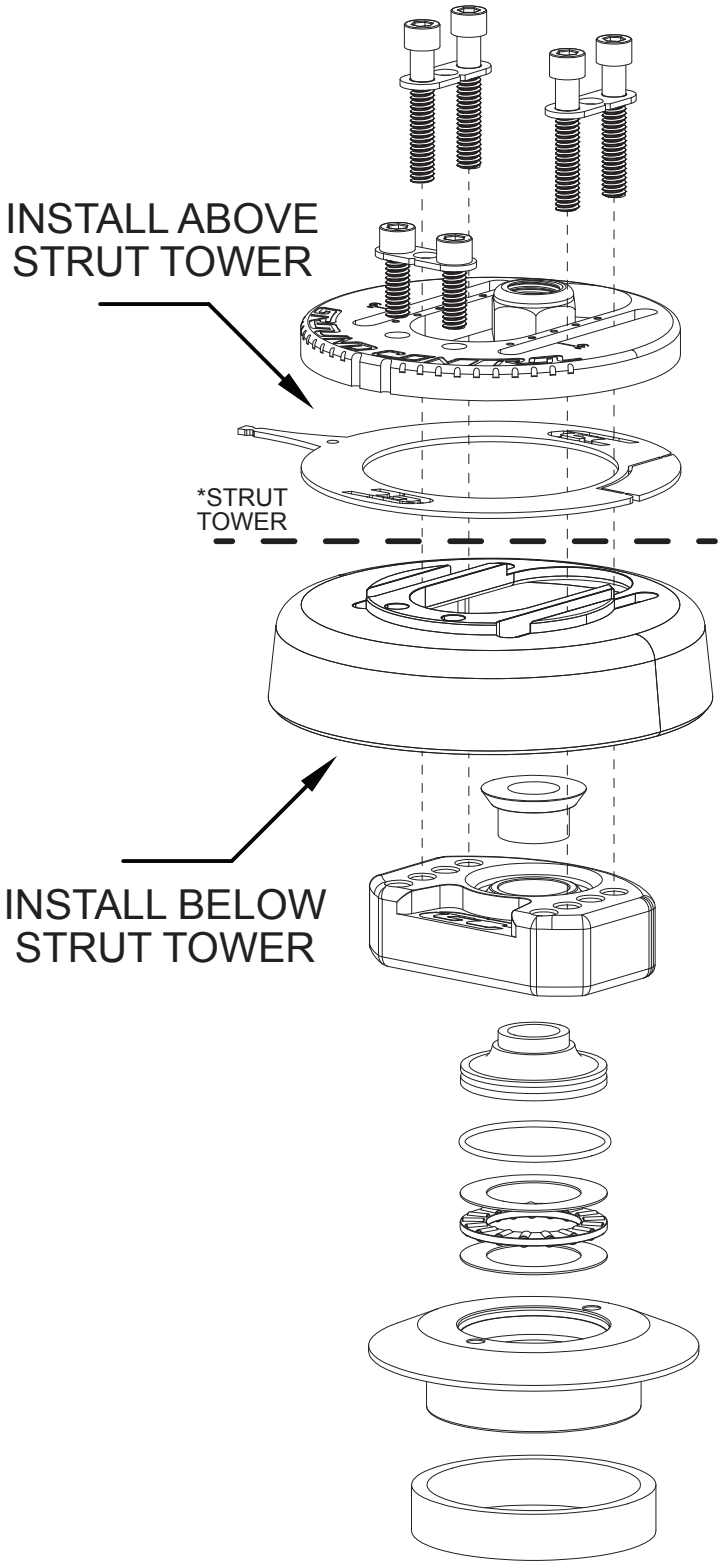
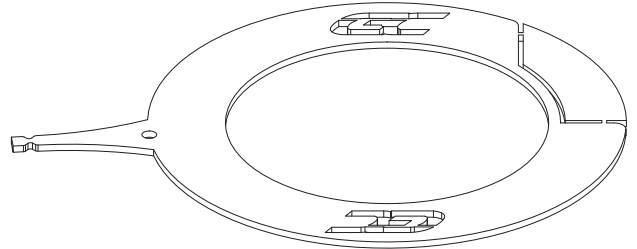


CAMARO 2010-2015 CAMBER PLATE INSTRUCTIONS

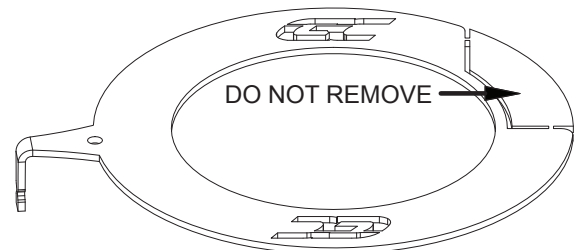


BEND STEEL TAB 90° AND INSERT INTO STRUT TOWER HOLE

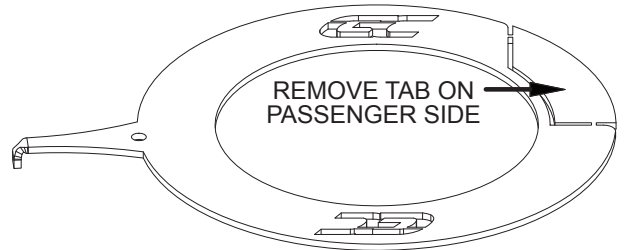
PRE-ASSEMBLED WITHOUT BEND



YEARS 2010-2013 BEND EXAMPLE

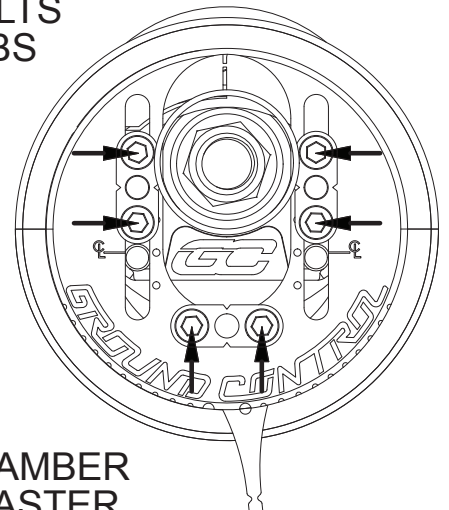


YEARS 2014-2015 BEND EXAMPLE



TORQUE BOLTS TO 18 FT/LBS

←
PASSENGER FRONT
←



NEGATIVE CAMBER AND OEM CASTER POSITION

GROUND CONTROL

www.groundcontrolstore.com

3885 Dividend Drive

Shingle Springs, CA 95682

(530)677-8600 fax (530)677-9090