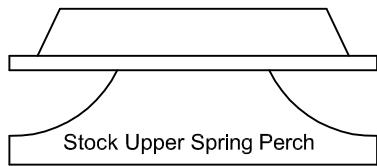
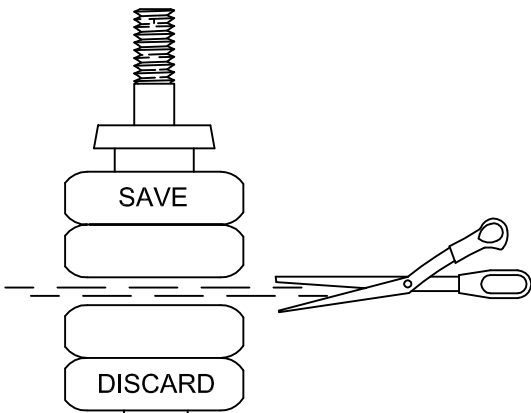
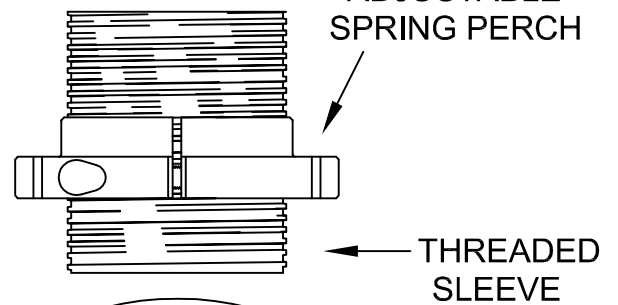
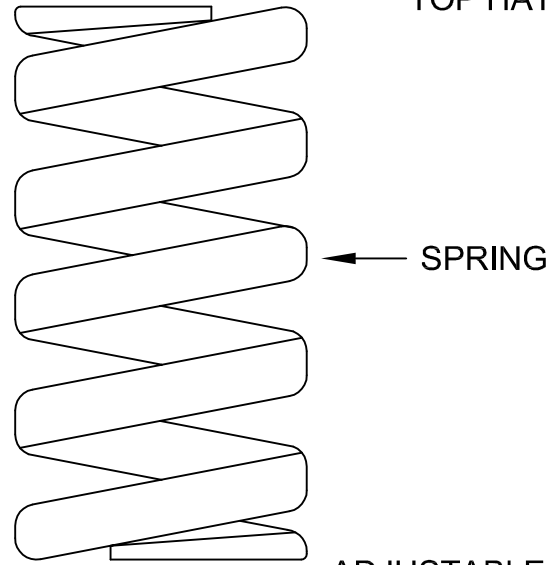
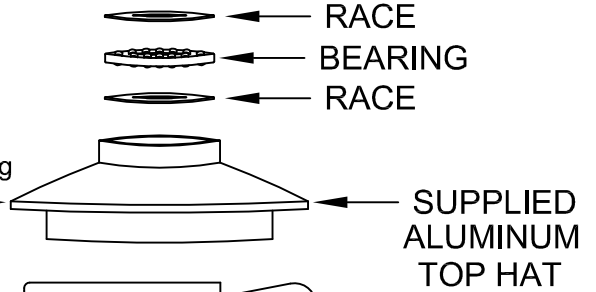


99-00 Cougar 95-01 Contour Front



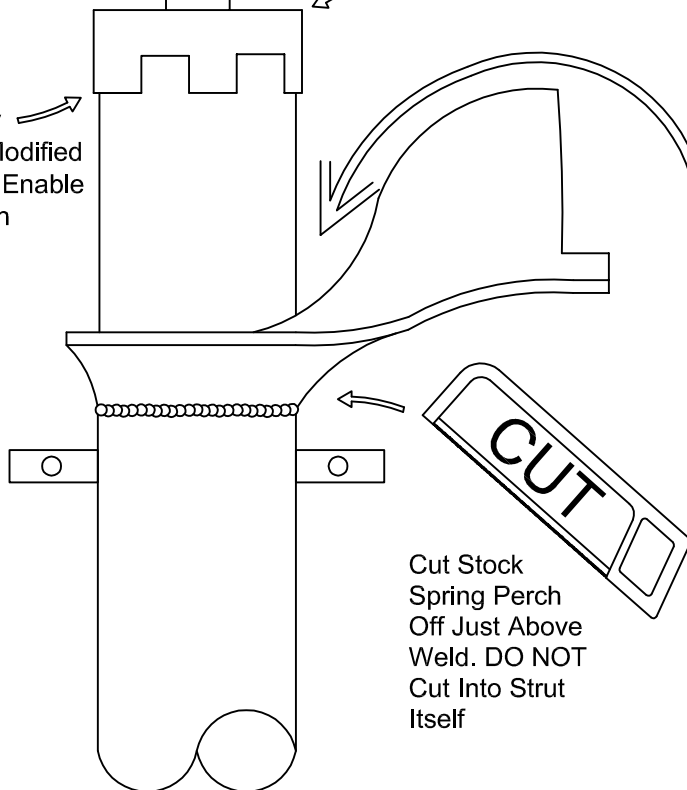
Remove Stock Upper Spring Perch And Dust Boot

GC Top Hat Assembly
(Remove Stock Upper Spring Perch And Bearing)



Remove Dust Cap, Install Hardware, Reinstall Dust Cap (Stock Shocks)

Dust Cap May Need To Be Modified By Cutting To Enable Proper Fit With Red Sleeve



Cut Stock Spring Perch Off Just Above Weld. DO NOT Cut Into Strut Itself

GROUND CONTROL
www.groundcontrolstore.com
3885 Dividend Drive
Shingle Springs, CA 95682
(530)677-8600 fax (530)677-9090