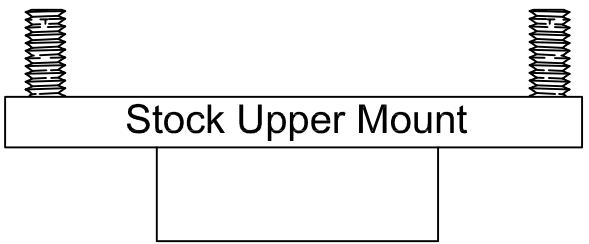


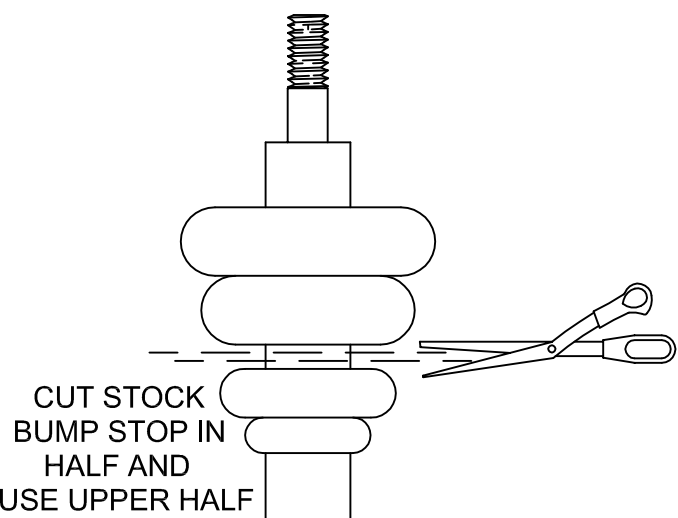
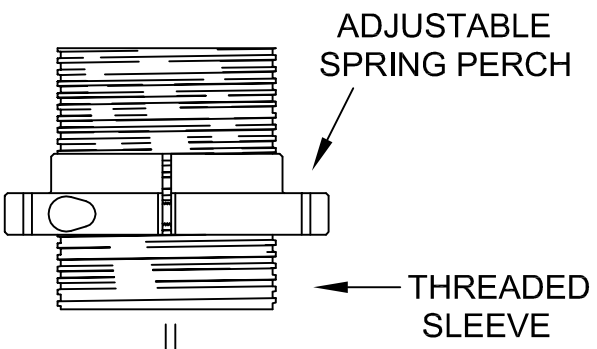
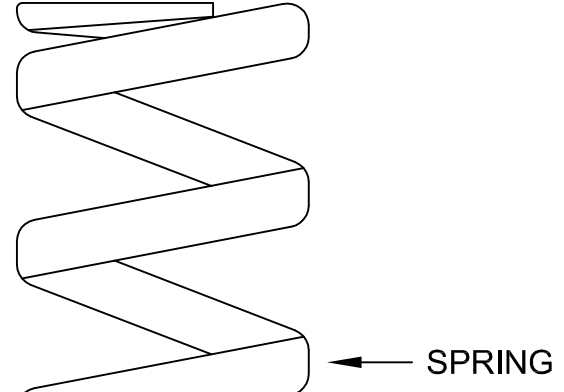
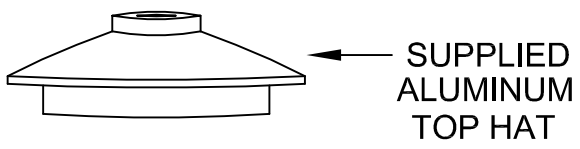
97- Escort Rear



Plastic Bearing Fits Into The Recess In The Aluminum Top Hat

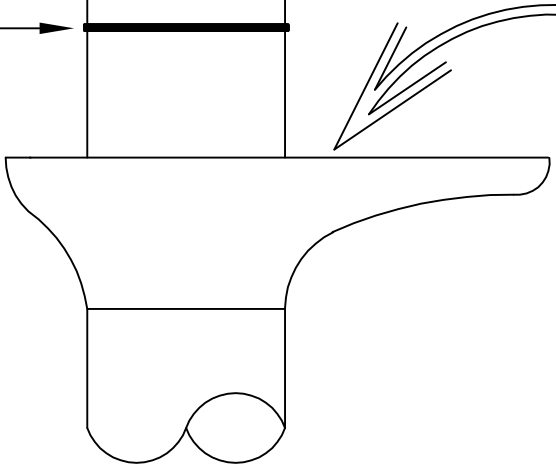
REMOVE STOCK UPPER SPRING PERCH

REMOVE STOCK DUST BOOT



If Needed Knock Off Gold Cap and Reinstall After Tube is Installed

O-Ring



GROUND CONTROL
www.groundcontrolstore.com
3885 Dividend Drive
Shingle Springs, CA 95682
(530)677-8600 fax (530)677-9090