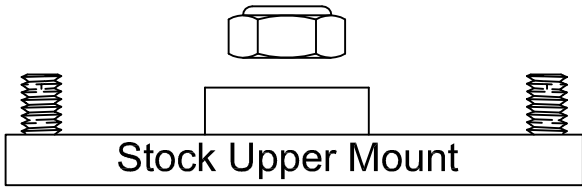
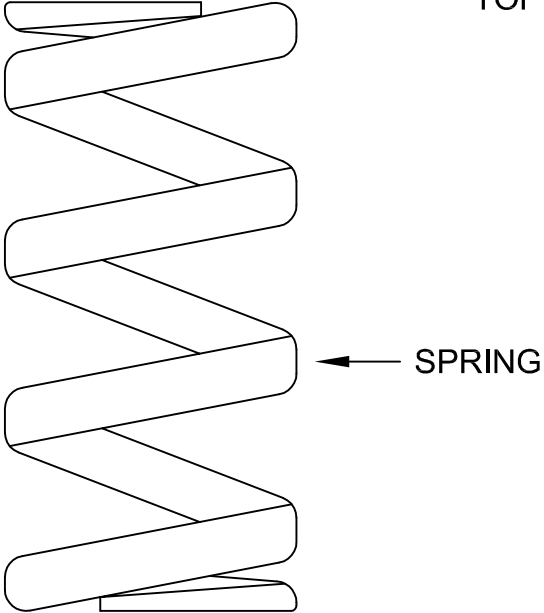


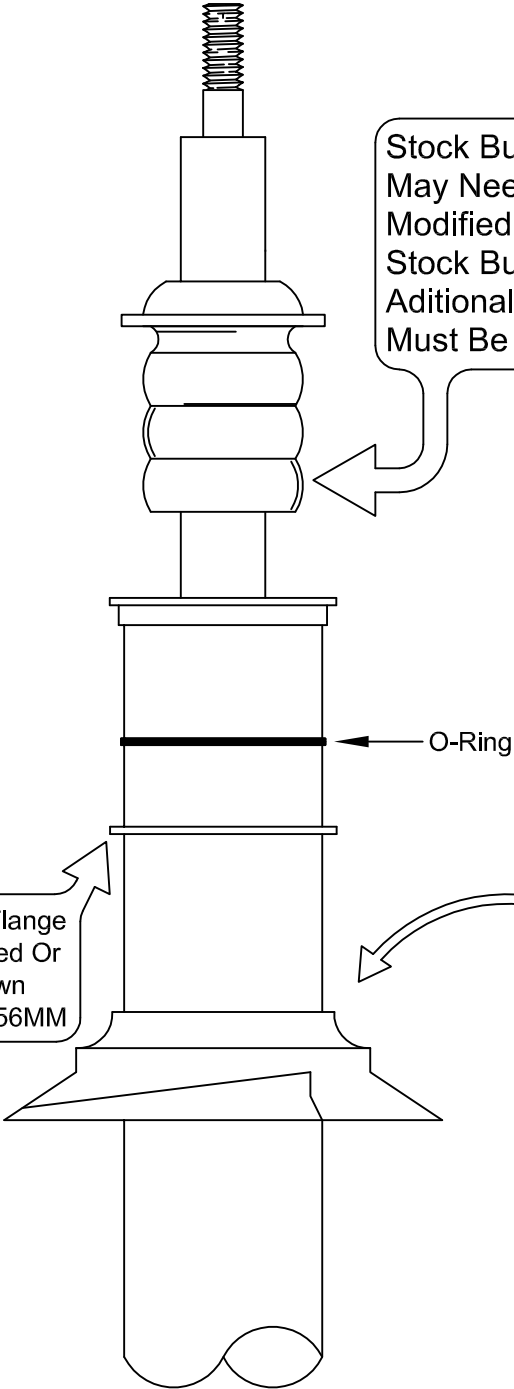
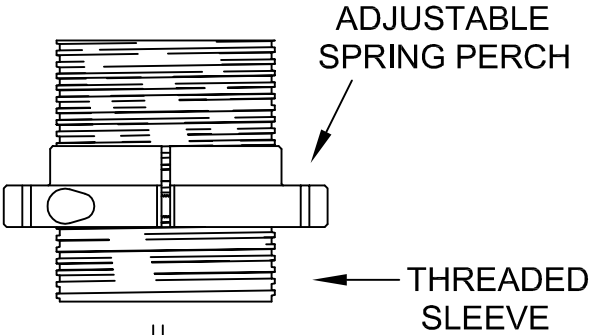
# Miata With Stock



Discard Stock Dust Boot



Stock Bump Stop May Need To Be Modified. If Using Stock Bump Stop Additional Instructions Must Be Followed.



Dust Boot Flange Must Be Filed Or Ground Down Slightly To 56MM

**GROUND CONTROL**  
www.groundcontrolstore.com  
3885 Dividend Drive  
Shingle Springs, CA 95682  
(530)677-8600 fax (530)677-9090