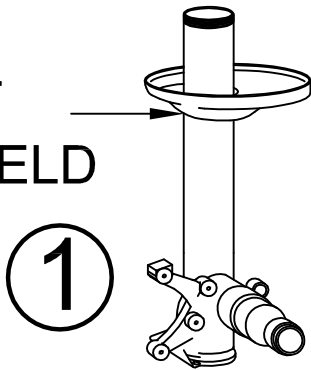


55mm HOUSING

BMW E34 FRONT

CUT JUST ABOVE WELD



1

REMOVE STOCK SPRING PERCH BY CUTTING THROUGH THE STRUT HOUSING.

2

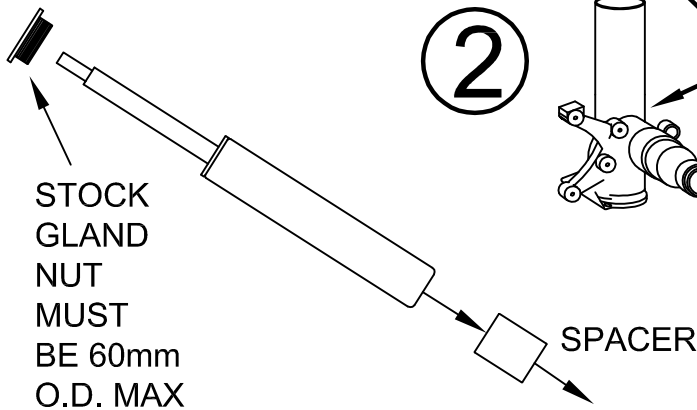


DISCARD SPRING PERCH SHORTEN HOUSING ONE INCH FROM BOTTOM SECTION.



3

INSERT CARTRIDGE AND SPACER (IF NEEDED). LINE UP STRUT PIECES. TACK WELD, AND REMOVE THE CARTRIDGE BEFORE WELDING COMPLETELY.



2

REMOVE THE ONE INCH PART FROM THE BOTTOM SECTION

4

WELD SPRING PERCH ONTO THE STRUT HOUSING TWO AND ONE HALF INCHES BELOW THE TOP, WITH THE FLAT EDGE FACING THE TIRE.

NOTE: IF HOUSING USES EXTERNAL GLAND NUT MEASURE DOWN FROM BOTTOM OF THREADS.

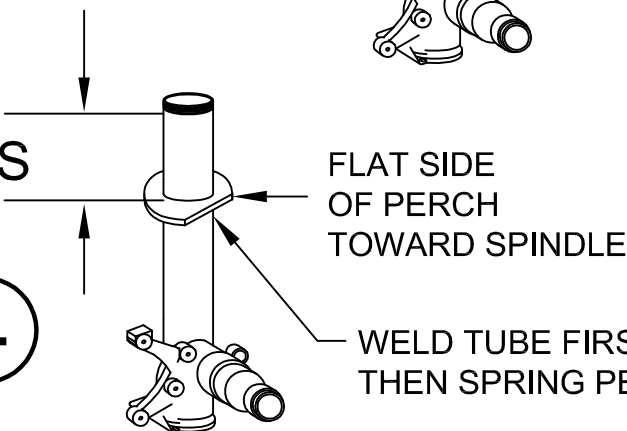
5

REINSTALL CARTRIDGE AND SPACER. IF STOCK GLAND NUT IS LARGE, IT MUST BE GROUND OR MACHINED DOWN TO 60mm O.D.

6

INSTALL COIL OVER SLEEVE TO SIT ONTO SPRING PERCH, INSTALL AND TIGHTEN GLAND NUT.

2 1/2 INCHES



4

WELD TUBE FIRST THEN SPRING PERCH

GROUND CONTROL

www.ground-control.com
3885 Dividend Drive
Shingle Springs, CA 95682
(530)677-8600 fax (530)677-9090

2 Inch 55mm Tube, Cut Nut.