

# 2016+ CAMARO FRONT COILOVER INSTALLATION INSTRUCTIONS

**GROUND CONTROL**

www.groundcontrolstore.com  
3885 Dividend Drive  
Shingle Springs, CA 95682  
(530)677-8600 fax (530)677-9090

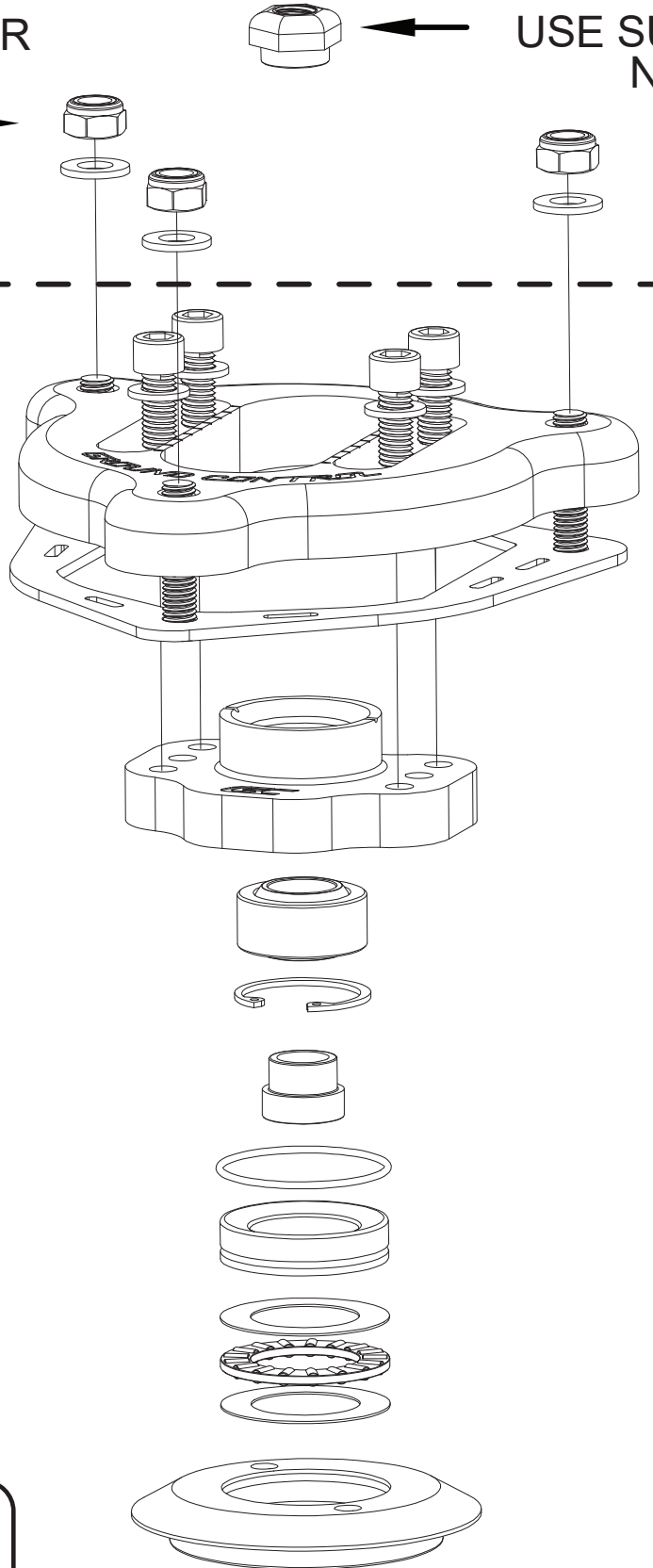
TORQUE STRUT TOWER  
NUTS TO 18 FT/LBS



USE SUPPLIED  
NUT

\*STRUT  
TOWER

INSTALL CAMBER  
PLATE BELOW  
STRUT TOWER



DO NOT INSTALL  
USING POWER TOOLS