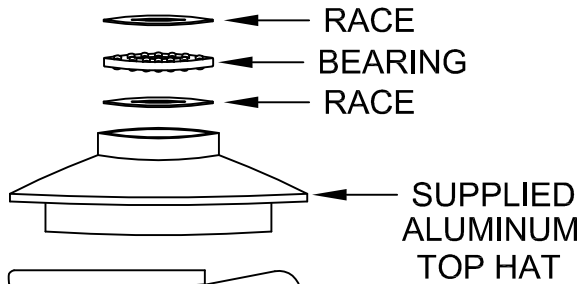
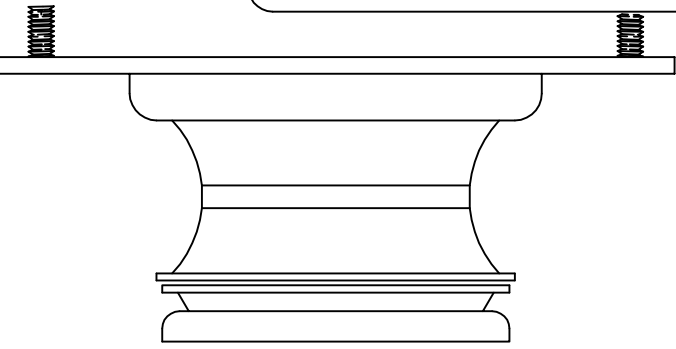
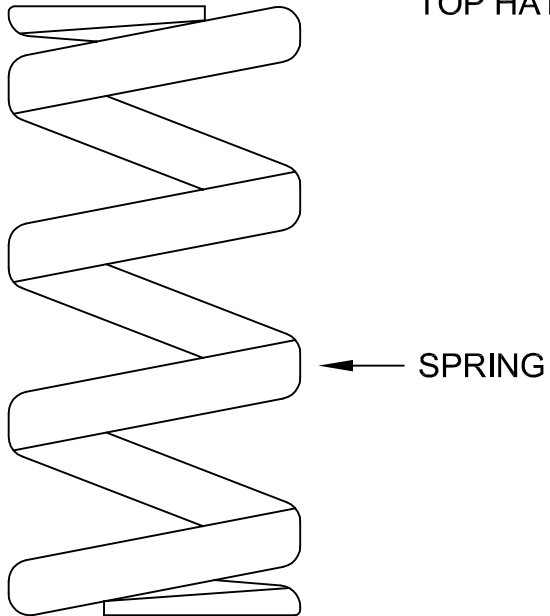


05- Mustang Front

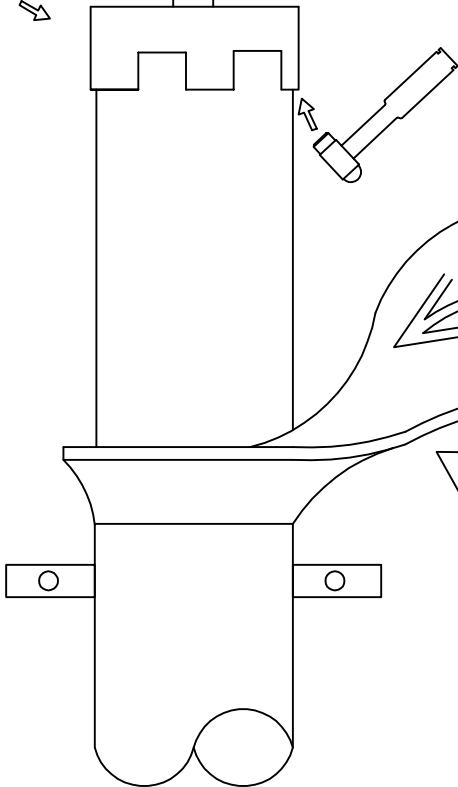
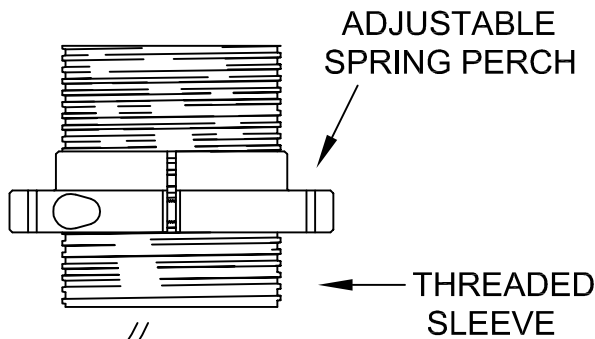


DO NOT REUSE STOCK UPPER PERCH

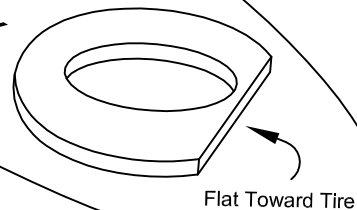


If Needed
On Koni
Grind Lip
Down Then
Install Red
Sleeve

Remove Dust Cap,
Install Hardware,
Reinstall Dust Cap
(Stock Shocks)



50mm D-Ring
Optional For Use
If Removing Stock
Perch.



GROUND CONTROL

www.groundcontrolstore.com
3885 Dividend Drive
Shingle Springs, CA 95682
(530)677-8600 fax (530)677-9090