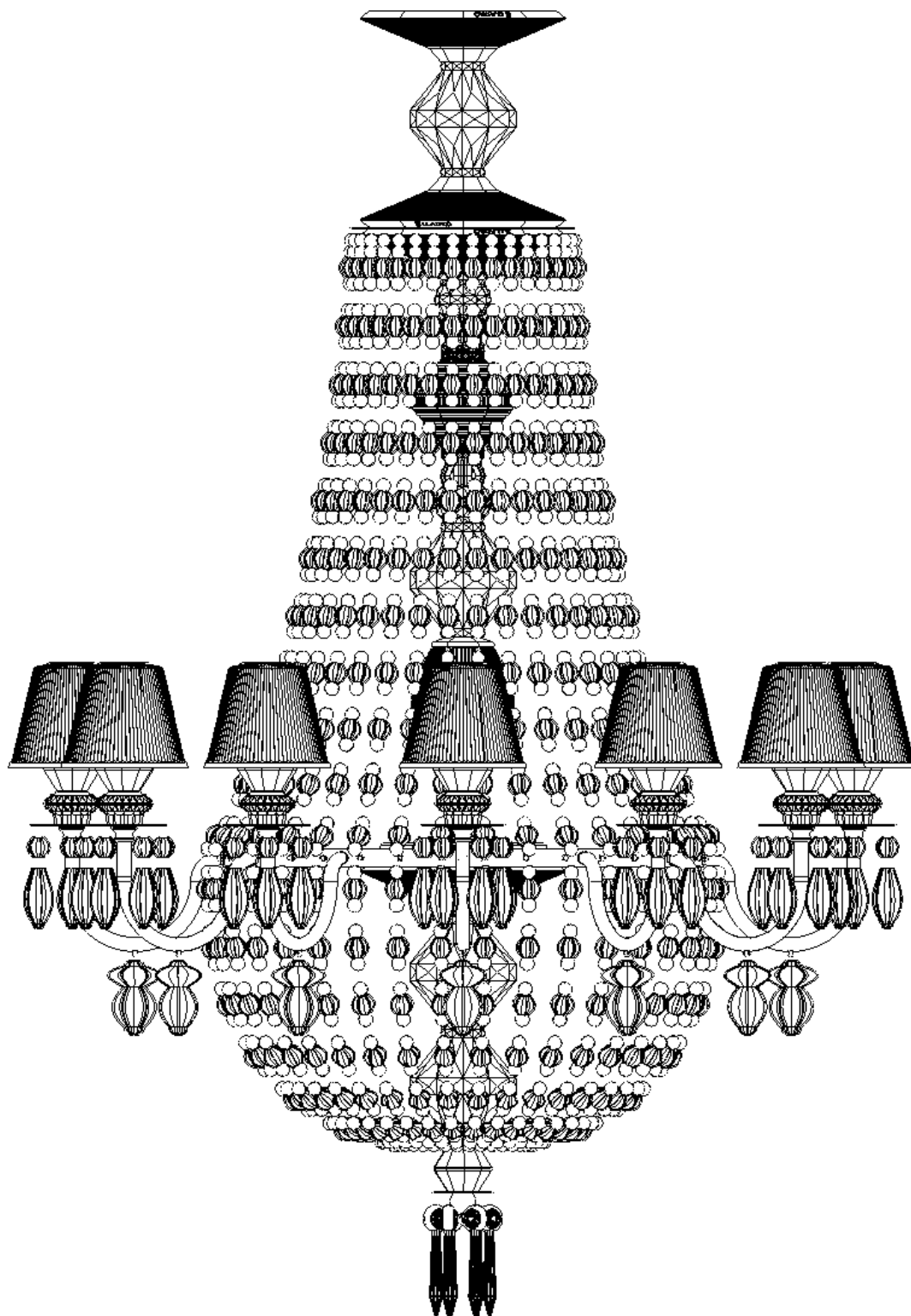


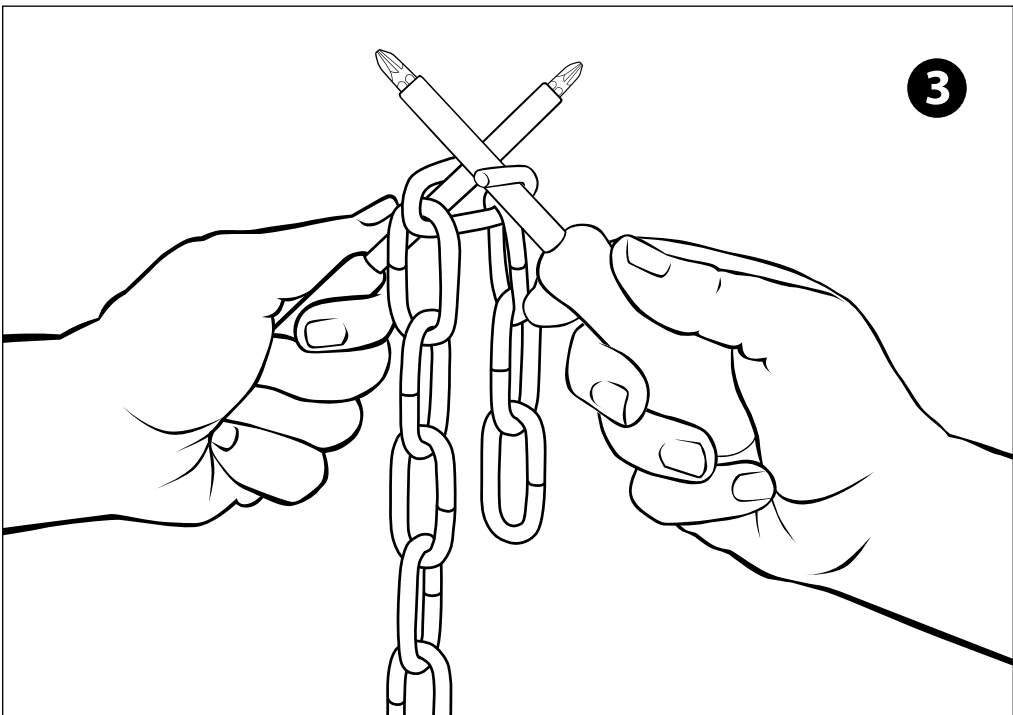
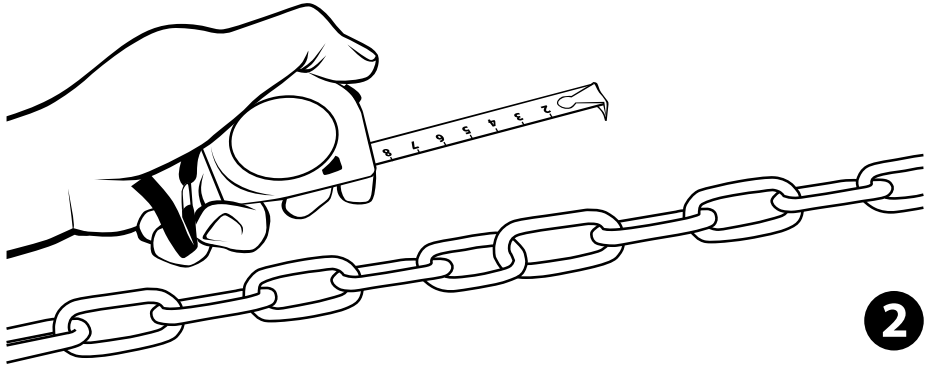
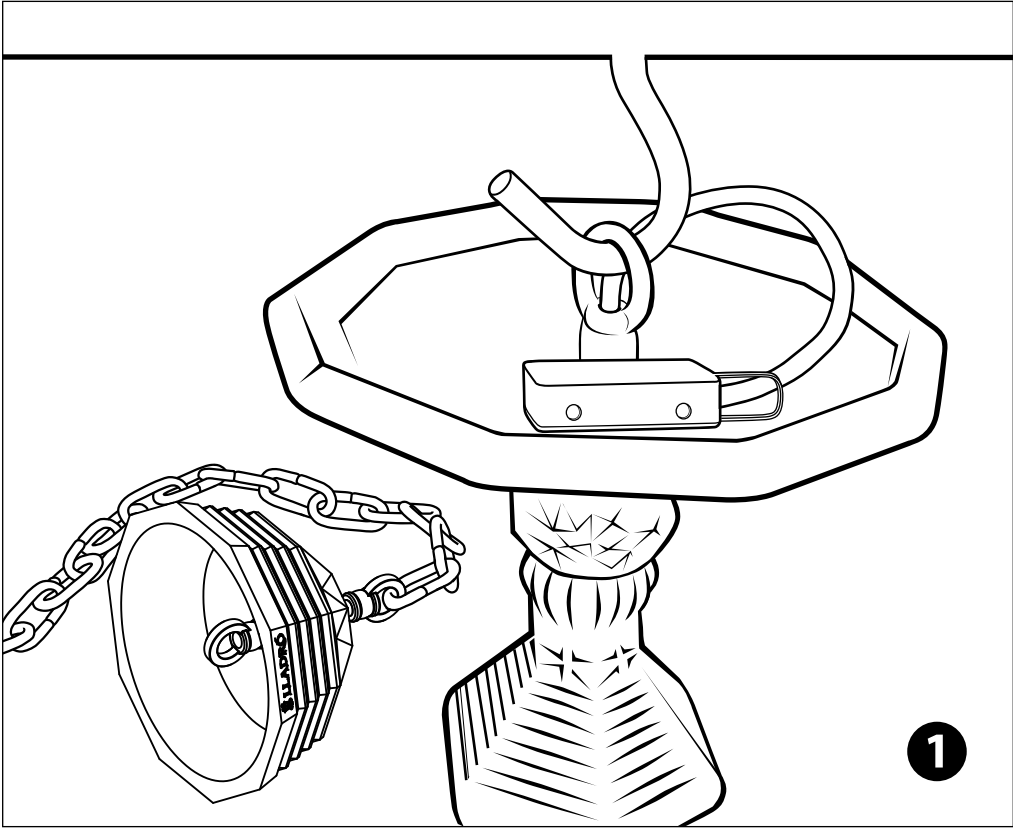
WINTER PALACE CHANDELIERS INSTALLATION GUIDE

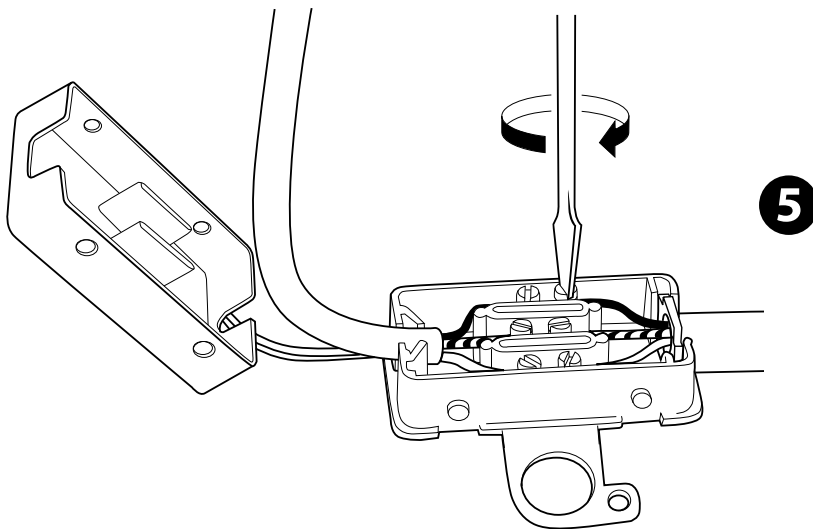
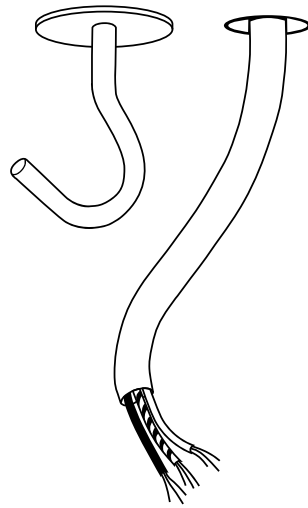
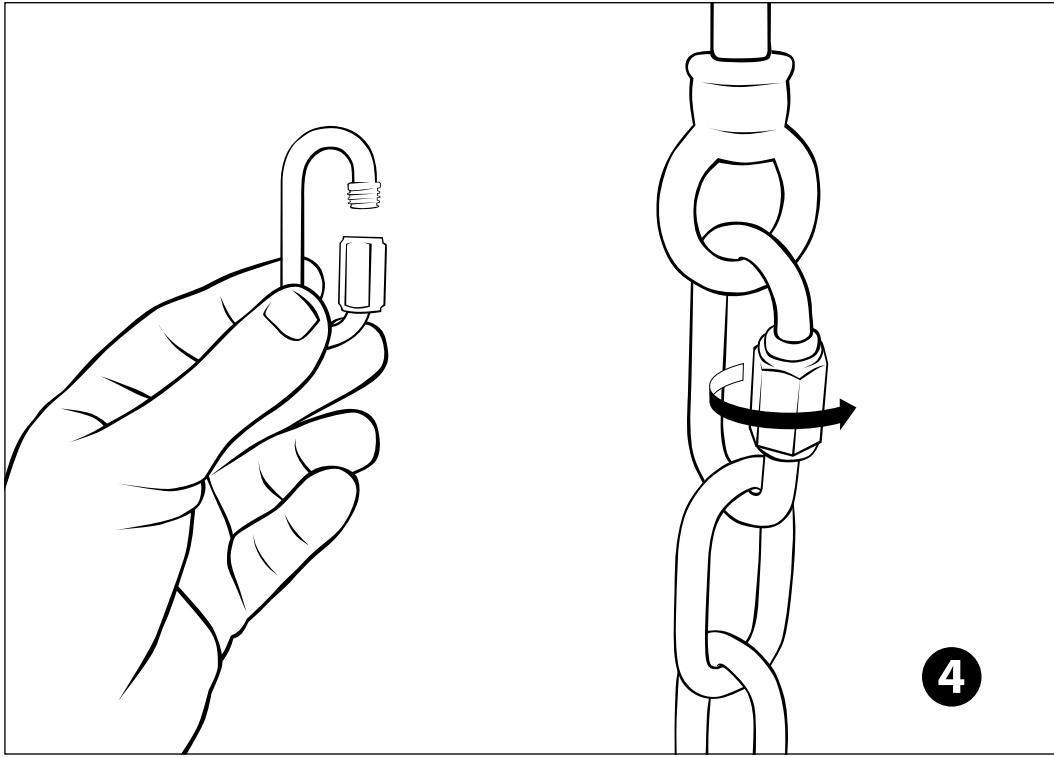


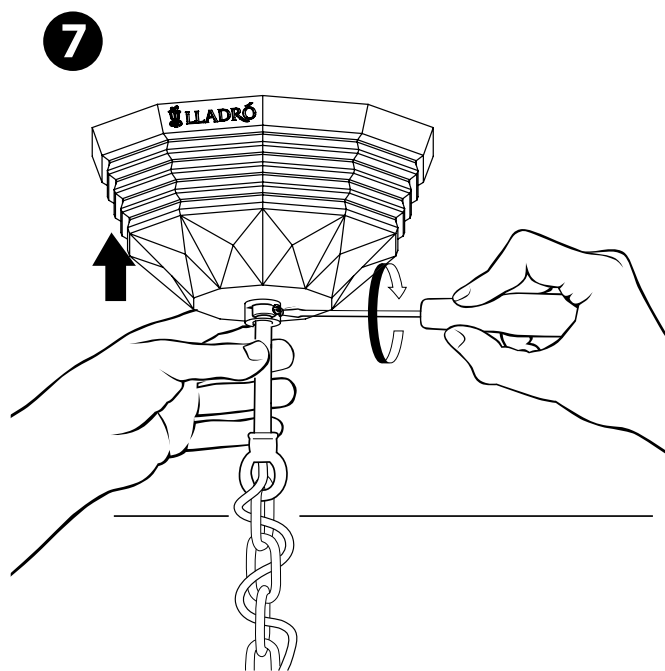
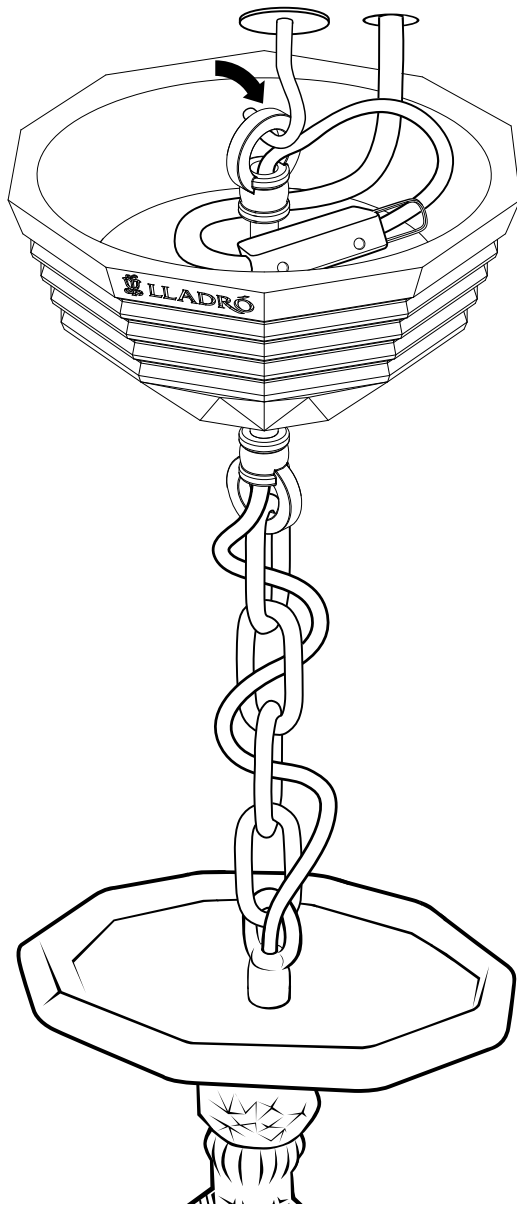
HANDMADE PORCELAIN
Spain

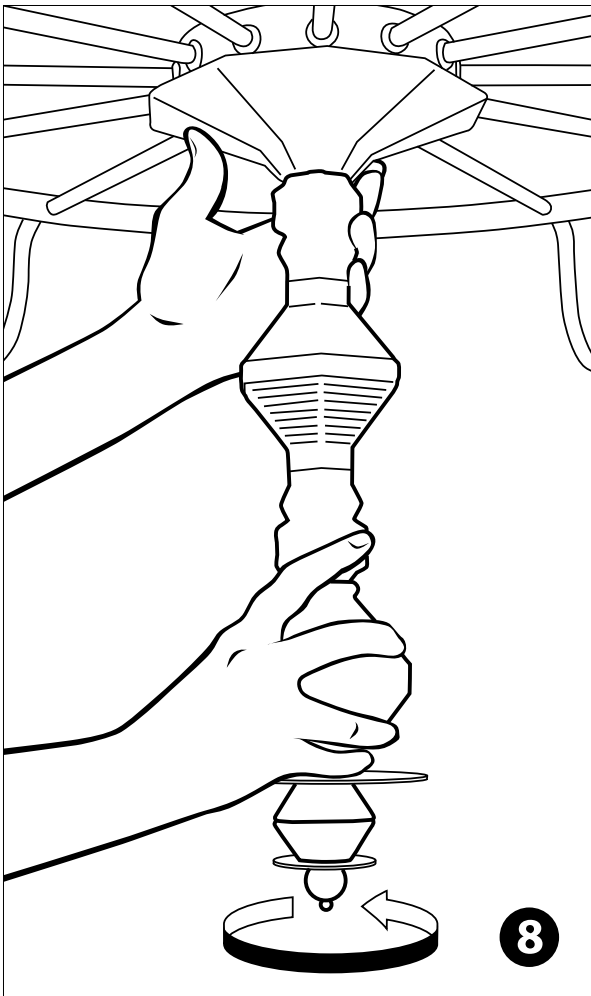


REF. 01023470 - 6 LIGHTS - WHITE (CE/UK) / REF. 01023471 - 6 LIGHTS - WHITE (US) / REF. 01023472 - 6 LIGHTS - WHITE (JP) /
REF. 01023485 - 6 LIGHTS - GOLD (CE/UK) / REF. 01023486 - 6 LIGHTS - GOLD (US) / REF. 01023487 - 6 LIGHTS - GOLD (JP) /
REF. 01023488 - 12 LIGHTS - WHITE (CE/UK) / REF. 01023489 - 12 LIGHTS - WHITE (US) / REF. 01023490 - 12 LIGHTS - WHITE (JP) /
REF. 01023503 - 12 LIGHTS - GOLD (CE/UK) / REF. 01023504 - 12 LIGHTS - GOLD (US) / REF. 01023505 - 12 LIGHTS - GOLD (JP) /
REF. 01023506 - 30 LIGHTS - WHITE (CE/UK) / REF. 01023507 - 30 LIGHTS - WHITE (US) / REF. 01023508 - 30 LIGHTS - WHITE (JP) /
REF. 01023521 - 30 LIGHTS - GOLD (CE/UK) / REF. 01023522 - 30 LIGHTS - GOLD (US) / REF. 01023523 - 30 LIGHTS - GOLD (JP)









(Only 30 L)

