

Gracious Gardens

20V Lithium Cordless Hedge Trimmer GGHDG User Manual

Please read and
retain for future
reference



www.futura-direct.co.uk

Search for
futura *direct*

on You 

For in-depth
user guides &
tutorials

Follow Us @:





20V Lithium Cordless Hedge Trimmer GGHDG

Thank you for purchasing our 20V Lithium Cordless Hedge Trimmer which has been designed to give many years of service under normal use. In order to get the most from your 20V Lithium Cordless Hedge Trimmer please carefully read and follow the instruction provided.

CONTENTS

Parts List
Technical Information
Safety Instructions
Using your Unit
Care and Maintenance
Warranty

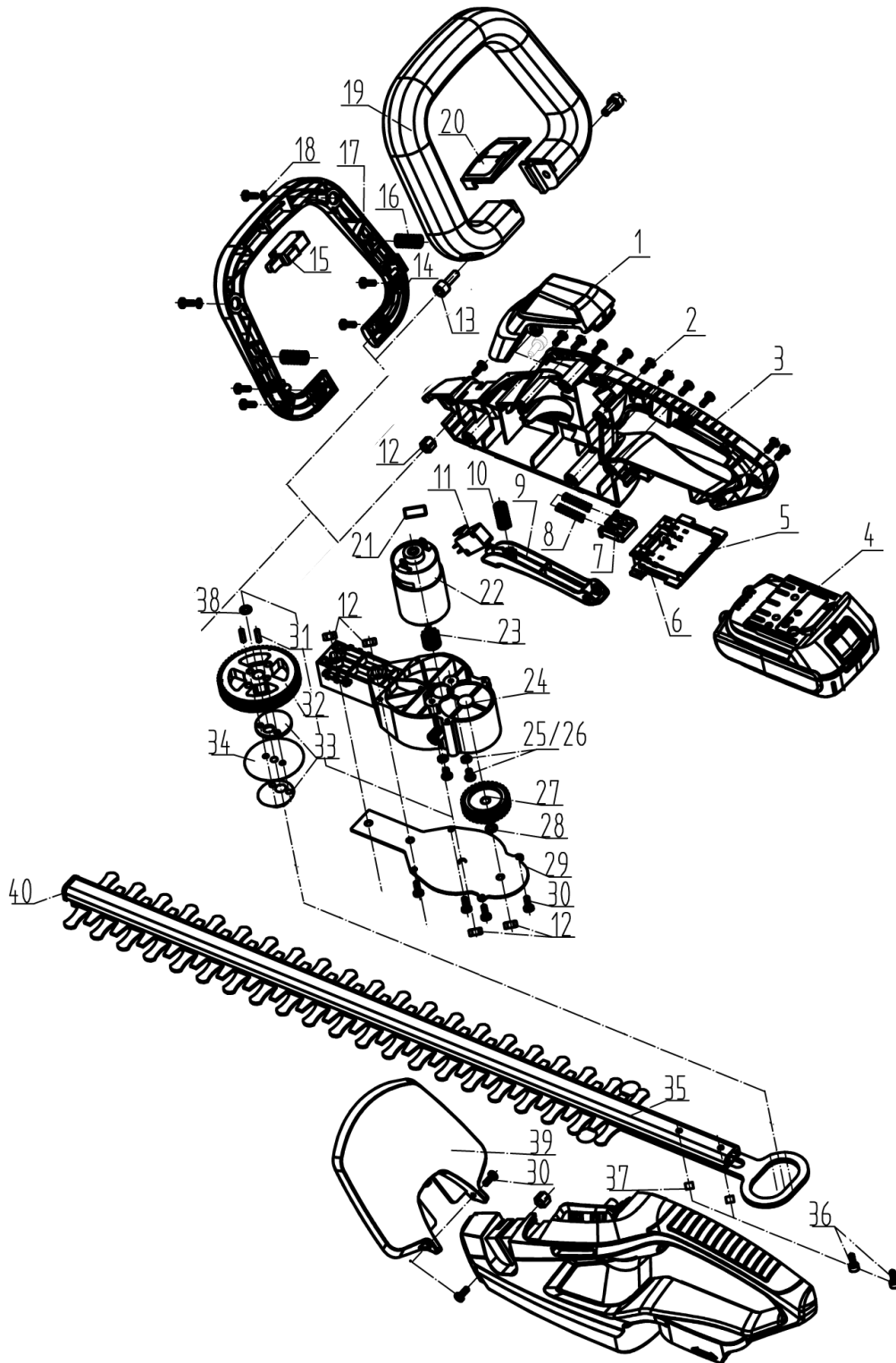
PART LIST

No.	Description	No.	Description
1	Deck Board	21	Inductance
2	Screw	22	Motor
3	Housing	23	Motor Gear
4	Battery	24	Gear Box
5	PCB	25	Washer
6	PCB Board	26	Screw
7	Button	27	Double Gear
8	Spring	28	Spring
9	Switch Trigger	29	Pressing Plate
10	Spring	30	Screw
11	Switch	31	Shaft
12	Nut	32	Output Gear
13	Bolt	33	Eccentricity Block
14	Button Press Plate	34	Eccentricity Washer
15	Switch	35	Blade Assembly
16	Spring	36	Screw
17	Button	37	Sliding Block
18	Washer	38	Washer
19	Front Handle	39	Blade Guard
20	Hand Shank Pressing	40	Blade Dead Block



20V Lithium Cordless Hedge Trimmer GGHDG

Exploded Assembly Diagram



Notice: Actual product may vary from pictures shown.

**20V Lithium Cordless Hedge Trimmer
GGHDG**

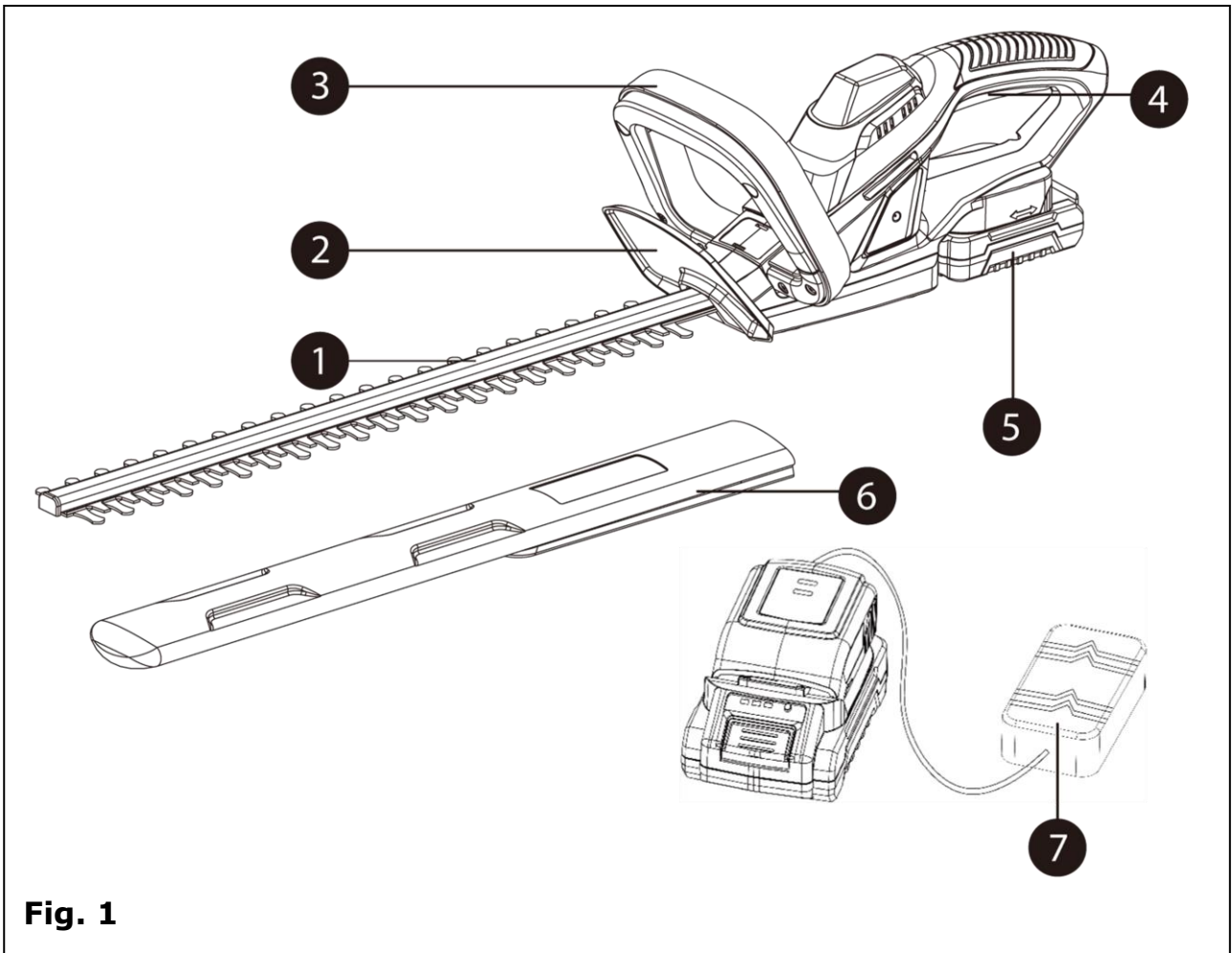


Fig. 1

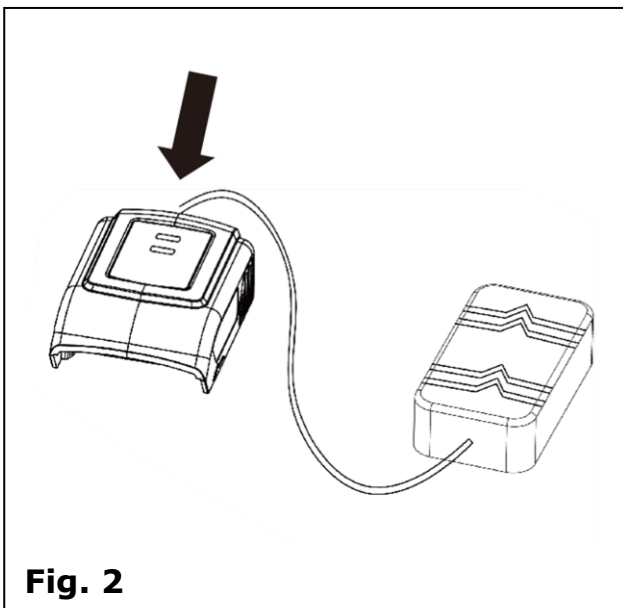


Fig. 2

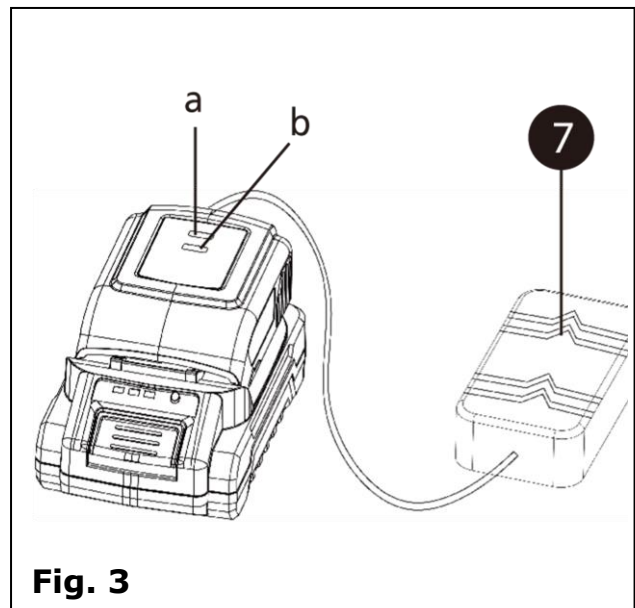
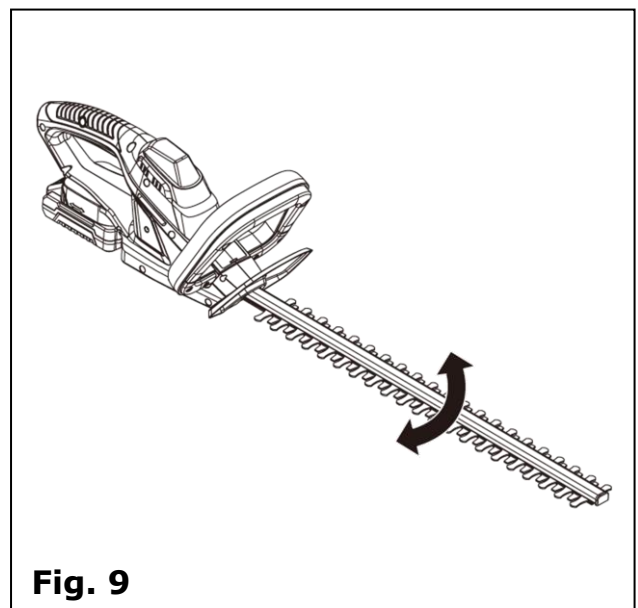
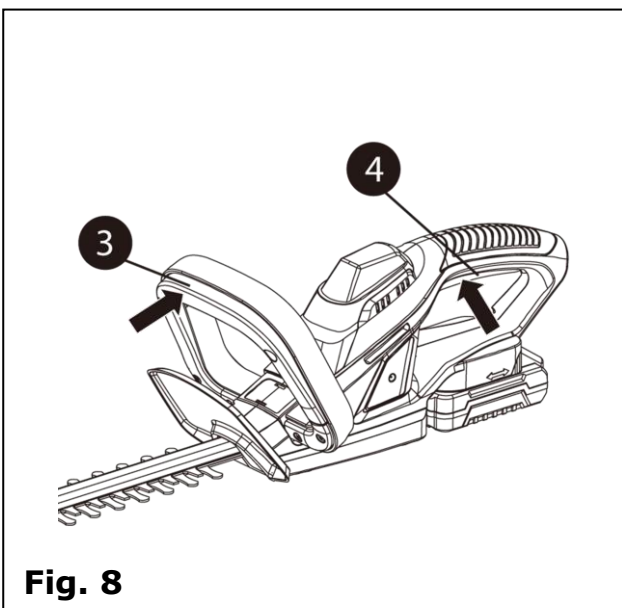
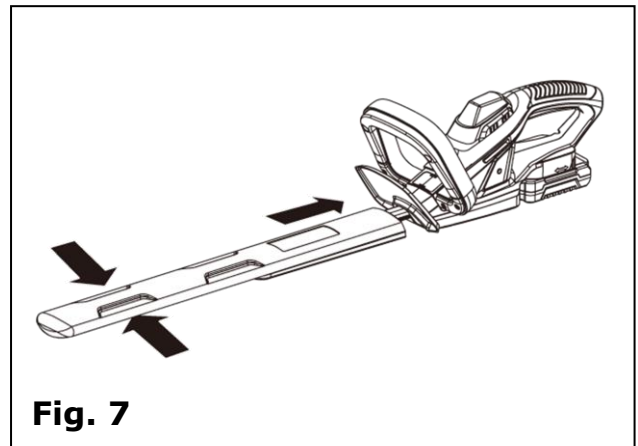
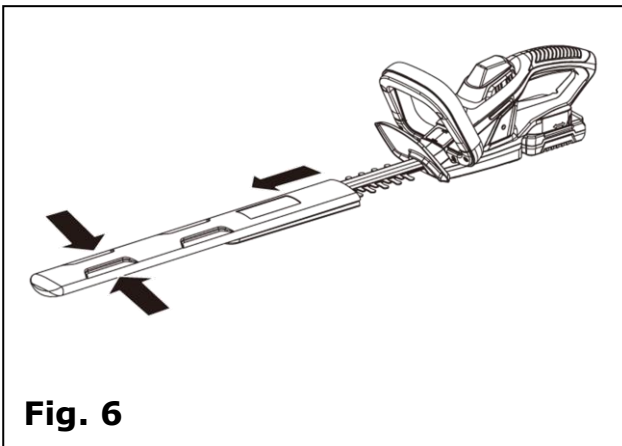
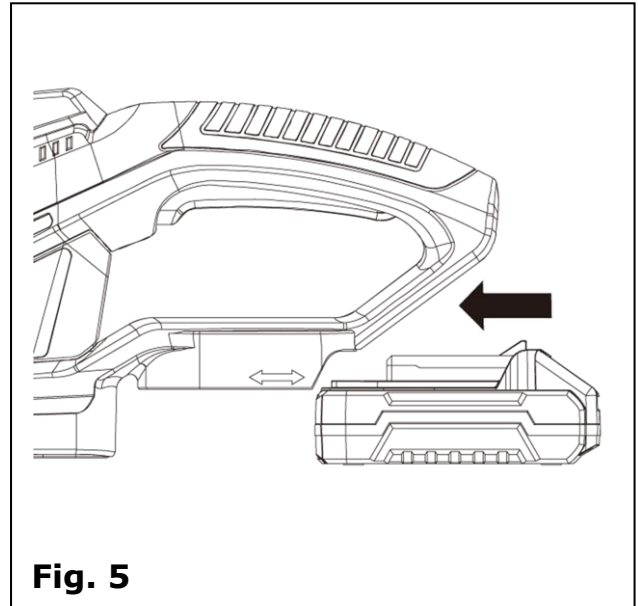
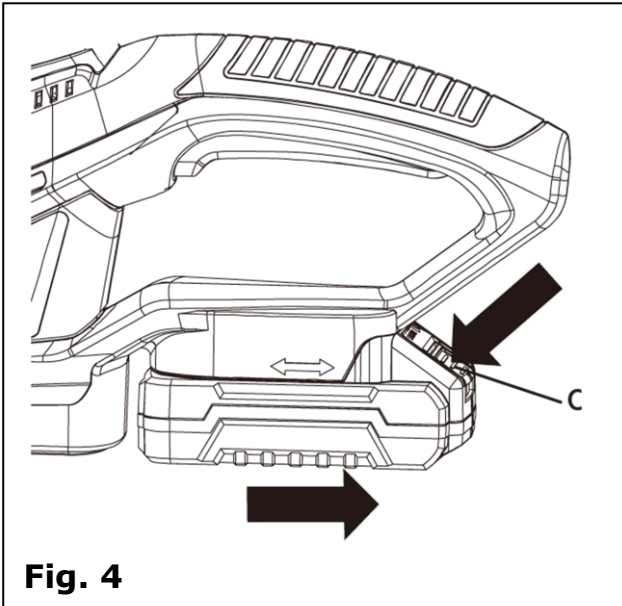
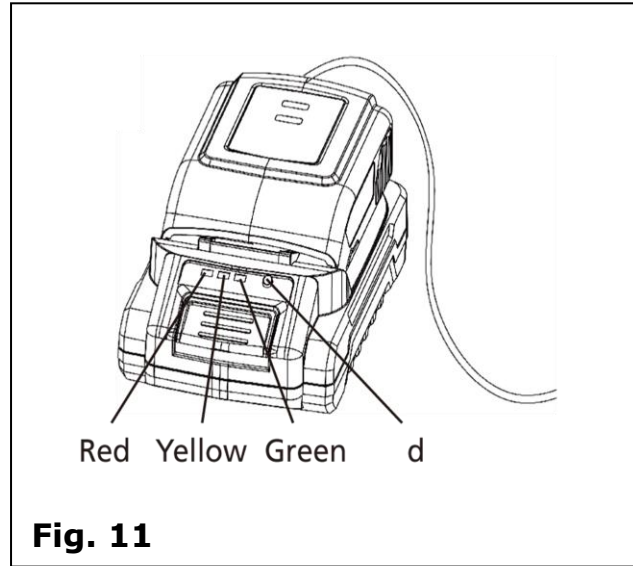
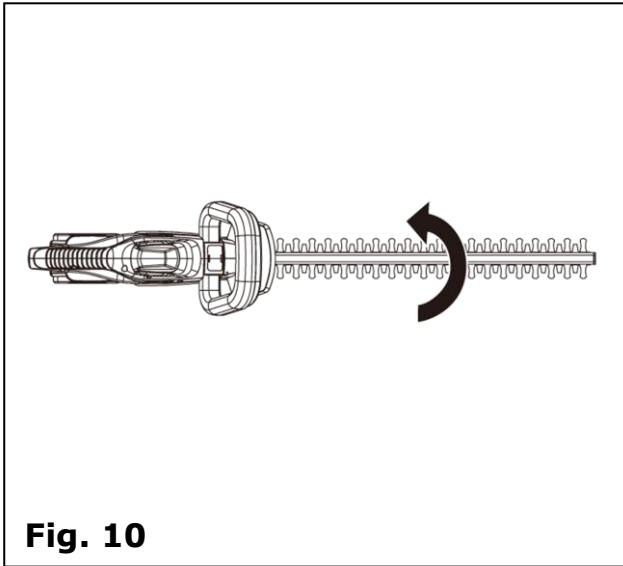


Fig. 3

**20V Lithium Cordless Hedge Trimmer
GGHDG**



20V Lithium Cordless Hedge Trimmer GGHDG



COMPONENT LIST

1. Blade
2. Safety Guard
3. Front Handle with Safety Switch
4. On/Off Switch
5. Battery Pack
6. Blade Sheath
7. Charger

TECHNICAL INFORMATION

20V Lithium Cordless Hedge Trimmer

Model: GGHDG

Battery voltage: 20 V

Battery capacitor: 1500 mAh Lithium

No-load speed: 1100 rpm

Max Cutting Length: 510 mm

Max Cutting Diameter: 15 mm

Charging time: 1 hour

Weight N.W./G.W.: 2.5/ 3.0 kgs



20V Lithium Cordless Hedge Trimmer GGHDG

Battery charger

Model: ZTTC20BC-3

Input: AC 100-240V / 50-60Hz 50W

Output: DC 21V / 1700 mA



Protection category II

Noise and vibration levels

Sound pressure level 72.0 dB(A);

Sound power level 87.0 dB(A)

Uncertainty K_{PA} : 3.0 dB(A) and K_{WA} : 3.0 dB(A)

Hearing protection is required for the user.

Vibration levels

Vibration for Front handle: $a_h = 1.374 \text{ m/s}^2$

Vibration for Rear handle: $a_h = 1.322 \text{ m/s}^2$

Uncertainty $K = 1.5 \text{ m/s}^2$

The declared vibration total has been measured in accordance with a standard test method and may be used for comparing one tool with another. This total may also be used in a preliminary assessment of exposure.

SAFETY INSTRUCTIONS

WARNING: Read all safety warnings and all instructions. Failure to follow the warnings and instructions may result in electric shock, fire and/or serious injury.

Save all warnings and instructions for future reference.

The term "power tool" in the warnings refers to your mains-operated (corded) power tool or battery-operated (cordless) power tool.

1) Work area safety

- a) Keep work area clean and well lit. Cluttered or dark areas invite accidents.
- b) Do not operate power tools in explosive atmospheres, such as in the presence of flammable liquids, gases or dust. Power tools create sparks which may ignite the dust or



20V Lithium Cordless Hedge Trimmer GGHDG

fumes.

c) Keep children and bystanders away while operating a power tool. Distractions can cause you to lose control.

2) Electrical safety

a) Power tool plugs must match the outlet. Never modify the plug in any way. Do not use any adapter plugs with earthed (grounded) power tools. Unmodified plugs and matching outlets will reduce risk of electric shock.

b) Avoid body contact with earthed or grounded surfaces, such as pipes, radiators, ranges and refrigerators. There is an increased risk of electric shock if your body is earthed or grounded.

c) Do not expose power tools to rain or wet conditions. Water entering a power tool will increase the risk of electric shock.

d) Do not abuse the cord. Never use the cord for carrying, pulling or unplugging the power tool. Keep cord away from heat, oil, sharp edges or moving parts. Damaged or entangled cords increase the risk of electric shock.

e) When operating a power tool outdoors, use an extension cord suitable for outdoor use. Use of a cord suitable for outdoor use reduces the risk of electric shock.

f) If operating a power tool in a damp location is unavoidable, use a residual current device (RCD) protected supply. Use of an RCD reduces the risk of electric shock.

3) Personal safety

a) Stay alert, watch what you are doing and use common sense when operating a power tool. Do not use a power tool while you are tired or under the influence of drugs, alcohol or medication. A moment of inattention while operating power tools may result in serious personal injury.

b) Use personal protective equipment. Always wear eye protection. Protective equipment such as dust mask, non-skid safety shoes, hard hat, or hearing protection used for appropriate conditions will reduce personal injuries.

c) Prevent unintentional starting. Ensure the switch is in the off-position before connecting to power source and/or battery pack, picking up or carrying the tool. Carrying power tools with your finger on the switch or energizing power tools that have the switch on invites accidents.

d) Remove any adjusting key or wrench before turning the power tool on. A wrench or a key left attached to a rotating part of the power tool may result in personal injury.

e) Do not overreach. Keep proper footing and balance at all times. This enables better control of the power tool in unexpected situations.

f) Dress properly. Do not wear loose clothing or jewellery. Keep your hair, clothing and gloves away from moving parts. Loose clothes, jewellery or long hair can be caught in moving parts.



20V Lithium Cordless Hedge Trimmer GGHDG

g) If devices are provided for the connection of dust extraction and collection facilities, ensure these are connected and properly used. Use of dust collection can reduce dust-related hazards.

4) Power tool use and care

a) Do not force the power tool. Use the correct power tool for your application. The correct power tool will do the job better and safer at the rate for which it was designed.

b) Do not use the power tool if the switch does not turn it on and off. Any power tool that cannot be controlled with the switch is dangerous and must be repaired.

c) Disconnect the plug from the power source and/or the battery pack from the power tool before making any adjustments, changing accessories, or storing power tools. Such preventive safety measures reduce the risk of starting the power tool accidentally.

d) Store idle power tools out of the reach of children and do not allow persons unfamiliar with the power tool or these instructions to operate the power tool. Power tools are dangerous in the hands of untrained users.

e) Maintain power tools. Check for misalignment or binding of moving parts, breakage of parts and any other condition that may affect the power tool's operation. If damaged, have the power tool repaired before use. Many accidents are caused by poorly maintained power tools.

f) Keep cutting tools sharp and clean. Properly maintained cutting tools with sharp cutting edges are less likely to bind and are easier to control.

g) Use the power tool, accessories and tool bits etc. in accordance with these instructions, taking into account the working conditions and the work to be performed. Use of the power tool for operations different from those intended could result in a hazardous situation.

5) Battery tool use and care

a) Recharge only with the charger specified by the manufacturer. A charger that is suitable for one type of battery pack may create a risk of fire when used with another battery pack.

b) Use power tools only with specifically designated battery packs. Use of any other battery packs may create a risk of injury and fire.

c) When battery pack is not in use, keep it away from other metal objects, like paper clips, coins, keys, nails, screws or other small metal objects, that can make a connection from one terminal to another. Shorting the battery terminals together may cause burns or a fire.

d) Under abusive conditions, liquid may be ejected from the battery; avoid contact. If contact accidentally occurs, flush with water. If liquid contacts eyes, additionally seek medical help. Liquid ejected from the battery may cause irritation or burns.

e) Keep cable away from cutting area. During operation the cable may be hidden in shrubs and can be accidentally cut by the blade.



20V Lithium Cordless Hedge Trimmer GGHDG

6) Service

a) Have your power tool serviced by a qualified repair person using only identical replacement parts. This will ensure that the safety of the power tool is maintained.

HEDGE TRIMMER SAFETY WARNINGS

1. Keep all parts of the body away from the cutter blade. Do not remove cut material or hold material to be cut when blades are moving. Make sure the switch is off when clearing jammed material. A moment of inattention while operating the hedge trimmer may result in serious personal injury.
2. Carry the hedge trimmer by the handle with the cutter blade stopped. When transporting or storing the hedge trimmer always fit the cutting device cover. Proper handling of the hedge trimmer will reduce possible personal injury from the cutter blades.
3. Hold the power tool by insulated gripping surfaces only, because the cutter blade may contact hidden wiring. Cutter blades contacting a "live" wire may make exposed metal parts of the power tool "live" and could give the operator an electric shock.
4. Check the hedge for foreign objects, e.g. wire fences.
5. Use both hands when operating the hedge trimmer. Using one hand could cause loss of control and result in serious personal injury.

ADDITIONAL SAFETY RULES FOR HEDGE TRIMMER

1. THIS MACHINE CAN CAUSE SERIOUS INJURIES. Read the instructions carefully for the correct handling, preparation, maintenance, starting and stopping of the machine. Manufacturer recommends use of a residual current device with a tripping current of 30 mA or less. Be familiar with all controls and the proper use of the machine;
2. Never allow children to use the machine;
3. Avoid operating while people, especially children are nearby;
4. Disconnect battery from the machine before
 - cleaning or when clearing a blockage;
 - checking, maintenance or working on the machine
5. While operating the machine always be sure of a safe and secure operating position especially when using steps or a ladder;
6. Do not attempt to repair the machine unless you are qualified to do so;
7. Do not operate the machine with a damaged or excessively worn cutting device;
8. Always ensure all handles and guards are fitted when using the machine. Never attempt to use an incomplete machine or one fitted with an unauthorized modification;
9. When a hedge trimmer is provided with more than one handle always use two hands to operate it;
10. When transporting or storing the machine always fit the cutting device guard;
11. Know how to stop the machine quickly in an emergency;



20V Lithium Cordless Hedge Trimmer GGHDG

12. Always be aware of your surroundings and stay alert for possible hazards that you may not hear due to the noise of the machine.
13. Use the Hedge trimmer only in daylight or good artificial light.
14. Never hold the Hedge trimmer by the guard.
15. Never operate the Hedge trimmer with damaged guards or without guard in place.
16. Whilst using the Hedge trimmer always be sure of a safe and secure operating position.
17. Keep hands and feet away from the cutting means at all times and especially when switching on the motor.
18. Do not expose to rain. Do not operate your Hedge trimmer on a wet hedge.
19. Check cutting blades regularly for damage, and if damaged repair immediately.
20. Do not start the Hedge trimmer with the blade cover fitted.
21. Take care not to overload the Hedge trimmer and do not use it on jobs for which it is not intended, i.e. you are allowed to use the Hedge trimmer only to cut hedges, shrubs and perennials.
22. Always be sure of your footing when using steps and when using your hedge trimmer.
23. Never run when using your hedge trimmer.
24. Heavy duty gloves should always be worn when using the Hedge trimmer.
25. Be careful during adjustment of placing your fingers between moving blades and fixed parts of the machine
26. Do not try to grasp or remove hedge clippings when the hedge trimmer is running. Only remove hedge clippings when the appliance is switched off.
27. Carry the hedge trimmer at the handle while the cutter blade is not running. Always ensure guard supplied is fitted when transporting or storing the hedge trimmer. Careful operation reduces the injury by the cutter blade.

SAFETY WARNINGS FOR BATTERY PACK

- a) Do not dismantle, open or shred cells or battery pack.
- b) Do not short-circuit a battery pack. Do not store battery packs haphazardly in a box or drawer where they may short-circuit each other or be short-circuited by conductive materials. When battery pack is not in use, keep it away from other metal objects, like paper clips, coins, keys, nails, screws or other small metal objects, that can make a connection from one terminal to another. Shorting the battery terminals together may cause burns or a fire.
- c) Do not expose battery pack to heat or fire. Avoid storage in direct sunlight.
- d) Do not subject battery pack to mechanical shock.
- e) In the event of battery leaking, do not allow the liquid to come into contact with the skin or eyes. If contact has been made, wash the affected area with copious amounts of water and seek medical advice.
- f) Seek medical advice immediately if a cell or battery pack has been swallowed.
- g) Keep battery pack clean and dry.
- h) Wipe the battery pack terminals with a clean dry cloth if they become dirty.



20V Lithium Cordless Hedge Trimmer GGHDG

- i) Battery pack needs to be charged before use. Always refer to this instruction and use the correct charging procedure.
- j) Do not maintain battery pack on charge when not in use.
- k) After extended periods of storage, it may be necessary to charge and discharge the battery pack several times to obtain maximum performance.
- l) Battery pack gives its best performance when it is operated at normal room temperature ($20^{\circ}\text{C} \pm 5^{\circ}\text{C}$).
- m) When disposing of battery packs, keep battery packs of different electrochemical systems separate from each other.
- n) Recharge only with the charger specified by POSITEC. Do not use any charger other than that specifically provided for use with the equipment. A charger that is suitable for one type of battery pack may create a risk of fire when used with another battery pack.
- o) Do not use any battery pack which is not designed for use with the equipment.
- p) Keep battery pack out of the reach of children.
- q) Retain the original product literature for future reference.
- r) Remove the battery from the equipment when not in use.
- s) Dispose of properly.

GENERAL SAFETY WARNINGS

WARNING: Read all safety warnings and all instructions. Failure to follow the warnings and instructions may result in electric shock, fire and/or serious injury.

Save all warnings and instructions for future reference.

This appliance can be used by persons with reduced physical, sensory or mental capabilities or lack of experience and knowledge if they have been given supervision or instruction concerning use of the appliance in a safe way and understand the hazards involved. Children shall not play with the appliance. Cleaning and user maintenance shall not be made by children.

If the supply cord is damaged, it must be replaced by the manufacturer, its service agent or similarly qualified persons in order to avoid a hazard.

ADDITIONAL SAFETY INSTRUCTIONS FOR YOUR BATTERY CHARGER

1. Do not charge a leaking battery.
2. Do not use chargers for works other than those for which they are designed.
3. Before charging, ensure your charger matches the local AC supply.
4. For indoor use, or do not expose to rain.
5. The charging device must be protected from moisture.
6. Do not short out the contacts of battery or charger.
7. Respect the polarity "+/-" when charging.
8. Do not open the unit and keep out of the reach of children.
9. Do not charge the batteries of other manufacturers or ill-suited models.
10. Ensure that the connection between the battery charger and battery is correctly

20V Lithium Cordless Hedge Trimmer GGHDG

positioned and is not obstructed by foreign bodies.

11. Ensure battery charger's slots are free of foreign objects and protect against dirt and humidity. Store in a dry and frost-free place.
















12. When charging batteries, ensure that the battery charger is in a well-ventilated area and away from inflammable materials. Batteries can get hot during charging. Do not overcharge any batteries. Ensure that batteries and chargers are not left unsupervised during charging.

13. Do not recharge non-rechargeable batteries, as they can overheat and break.

14. Longer life and better performance can be obtained if the battery pack is charged when the air temperature is between 18°C and 24°C. Do not charge the battery pack in air temperatures below 4.5°C, or above 40.5°C. This is important as it can prevent serious damage to the battery pack.

15. Charge only battery pack of the same model provided by POSITEC and of models recommended by POSITEC.

SYMBOL

	Warning!		For indoor use only
	To reduce the risk of injury, user must read instruction manual		Positive terminal
	Wear ear protection		Negative terminal
	Wear eye protection		Double insulation
	Wear dust mask		Fuse T 2A time lag fuse with rated current of 2A
	Do not expose to rain	xINR18/65-y: Cylindrical lithium Ion battery cells with max diameter of 18mm and max height of 65mm; "x" represents a number cells serial connected, blank if 1; "-y" represents a number of cells paralleled connected, blank if 1.	
	Do not expose to rain or water	 Li-Ion battery. This product has been marked with a symbol relating to 'separate collection' for all battery packs. It will then be recycled or dismantled in order to reduce the impact on the environment. Battery packs can be hazardous for the environment and for human health since they contain hazardous substances.	
	Do not burn		
	Waste electrical products must not be disposed of with household waste. Please recycle where facilities exist. Check with your local authorities or retailer for recycling advice.		



20V Lithium Cordless Hedge Trimmer GGHDG

Unpacking

Carefully remove the product and any accessories from the box. Make sure that all items listed in the packing list are included.

Packing list

- a) 1 hour quick Charger
- b) 1500mAh Battery pack
- c) Hedge trimmer
- d) Instruction manual

USING YOUR UNIT

NOTE: Before using the tool, read the instruction book carefully.

INTENDED USE

This product is intended for trimming hedges, bushes and shrubs. Observe the technical data for the maximum cutting capacity. Do not cut branches exceeding the stated maximum capacity.

This product is intended for private domestic use only, not for any commercial trade use. It must not be used for any purpose other than those described.

1. CHARGING THE BATTERY

WARNING! The charger and battery pack are specially designed to work together so do not attempt to use any other devices. Never insert or allow metallic objects into your charger or battery pack connections because of an electrical failure and hazard will occur.

BEFORE USING YOUR CORDLESS HEDGE TRIMMER, YOU MUST FULLY CHARGE THE BATTERY

Your battery pack is UNCHARGED and you must charge once before use.

The battery charger supplied is matched to the Li-ion battery installed in the machine. Do not use another battery charger.

In a warm environment or after heavy use, the battery pack may become too hot to permit charging. Allow time for the battery to cool down before recharging.

When the battery is charged for the first time and after prolonged storage, the battery will only accept approximately 60% charge. However, after several charge and discharge cycles the battery will accept a 100% charge.

2. CHARGING THE BATTERY PACK (See Fig 2, 3)

NOTE:

- a) Do not use any charger other than that specifically provided for use with the



20V Lithium Cordless Hedge Trimmer GGHDG

equipment.

- b) If the battery pack is very hot you must remove your battery pack from the charger and allow time for the battery to cool down before recharging.
- c) The battery in your new tool is not charged when it leaves the plant. Therefore it must be full charged before using the first time.
- d) Please charge the battery to reach full or no less than half charge before storage. If the tool will not be used for long periods of time, charge the battery every 3-6 months.

CHARGING PROCEDURE

- 1). Connect the charger with the charger base firstly, and then plug the charger into an appropriate outlet. The light (a) will be green.
- 2). Slide the battery pack into the charger, the light (a) will be off at once, at the same time the light (b) will turn to red to indicate the charging process has started.
- 3). When charging is completed, the light (b) will be off at once, and the light (a) will turn to green. The pack is now fully charged, unplug the charger and remove the battery pack.

WARNING: When battery charge runs out after continuous use or exposure to direct sunlight or heat, allow time for the tool to cool down before re-charging to achieve the full charge.

CHARGING INDICATOR

Light	Status
Red on	Charging
Green on	Fully Charged

3. TO REMOVE OR INSTALL BATTERY PACK (See Fig. 4, 5)

Depress the battery pack release button (c) to release battery pack from your trimmer (Fig.4).

After recharging, insert the battery pack into trimmer's battery port (Fig.5).

A simple push and slight pressure will be sufficient.

Note: When removing the battery pack, hold it firmly to avoid potential accidents.

WARNING! DO NOT USE THE PRODUCT WITHOUT ATTACHING THE GUARD.

OPERATION

STARTING AND STOPPING

BEFORE STARTING YOUR HEDGE TRIMMER

Remove blade sheath. (See Fig.6)

Note: Please press the front place of blade sheath to pull the blade sheath easily.



20V Lithium Cordless Hedge Trimmer GGHDG

Install blade sheath. (See Fig.7)

Note: Please press the front place of blade sheath and push the blade sheath to the end completely.

TO START YOUR HEDGE TRIMMER (See Fig.8)

Your trimmer is equipped with two switch levers (3 & 4). Both switch levers need to be pressed for the hedge trimmer to start. Depress and hold safety handle switch (3) and press on/off switch (4).

TO STOP YOUR HEDGE TRIMMER

Move hedge trimmer away from cutting area before stopping.

To stop, release either the safety handle switch (3) or on/off switch (4), the Trimmer will stop almost immediately.

Warning: If any parts are missing, damaged or broken, do not operate your hedge trimmer until all damaged parts have been replaced or repaired. Failure to do so could result in serious personal injury.

IMPORTANT TIPS FOR TRIMMING HEDGES

Assume secure posture and hold Trimmer with both hands. If using a step ladder make sure it is securely located and if working high tie the ladder to the thicker inner branches of the hedge.

Ensure no people or animals are in the work area.

TOP CUTTING (See Fig.9)

Use a wide sweeping motion. A slight downward tilt of the cutting blades in the direction of motion gives the best cutting results.

SIDE CUTTING (See Fig.10)

When trimming the sides of the hedge, begin at the bottom and cut upwards, tapering the hedge inward at the top. This shape will expose more of the hedge, resulting in a more uniformed growth.

BATTERY INDICATORS (SEE Fig.11)

NOTE: THE INDICATORS GIVE A GENERAL PICTURE OF THE BATTERY'S ACTUAL CHARGE STATUS. THE PERCENTAGES SHOWN BELOW SHOULD THEREFORE BE CONSIDERED AS APPROXIMATE INDICATORS. THE READINGS FROM THE TWO DIFFERENT INDICATORS CAN DIFFER SOMEWHAT



20V Lithium Cordless Hedge Trimmer GGHDG

FROM EACH OTHER.

One battery indicator is found on the battery.

Press the button (d) on the side of the battery indicator to display the current battery status.

At 70-100 % power, all three LED Lights (red/yellow/green) will be on.

At 40-70 % power, the green LED light is off, two LED Lights (red/yellow) will be on.

Lower than 40 % power, only the red LED will be on. Then the battery needs be charged.

CARE AND MAINTENANCE

Warning! Always remove the plug from the electrical socket before cleaning or repair.

- 1) Never use water to cleaning the unit.
- 2) Always clean the hedge trimmer immediately after use. Brush the blade using a stiff nylon brush to remove any debris.
- 3) Always store the unit in a dry place.
- 4) Inspect the hedge trimmer before each use.
- 5) Have the unit professionally repaired if any damage occurs.
- 6) The blade rail should be cleaned and treated with oil after each use.
- 7) Use the blade guard for transportation and storage.

Disposal

Household Appliances, accessories and packaging should be sorted for environmentally-friendly recycling.

Only for EC countries:



Do not dispose of appliances into household waste!

According to the European Directive 2002/96/EC on waste electrical and electronic equipment and its incorporation into national right, products that are no longer suitable for use must be separately collected and sent for recovery in

an environmentally-friendly manner.



20V Lithium Cordless Hedge Trimmer GGHDG

DECLARATION OF CONFORMITY

The declaration is to certify that it conforms to CE, EMC, MD, Noise Emission and RoHS directives:

EN55014-1: 2006 + A1 + A2

EN55014-2: 1997 + A1 + A2

All provisions of Annex 1 of Council Directive 2014/30/EU – EMC directive

EN ISO 3744: 2010

ISO 11094: 1991

All provisions of Annex 1 of Council Directive 2000/14/EC amended by 2005/88/EC – Noise Emission directive

06/42/EC - Annex I/05.2006

EN 60745-2-15:2009+A1

EN 60745-1:2009+A11

All provisions of Annex 1 of Council Directive 2006/42/EC – the Machinery Directive

RoHS 2011/65/EU



Mr. Paul Kaye, UK QA Manager

Please read the following carefully
FUTURA Direct Ltd. and/or its distributor
have provided the parts list and
assembly diagram as a reference

tool only.

Neither FUTURA Direct Ltd. or its distributor makes any representation or warranty of any kind to the buyer that he or she is qualified to do any repairs or replace any parts of this product. FUTURA Direct Ltd. and its distributor expressly state that all repairs or parts replacement should be done by certified or licensed technicians. The buyer assumes all risk and liability arising out of his or her repairs or parts replacement to the original product.

24 MONTHS LIMITED WARRANTY

If within 24 months from the date of purchase you experience any problems with your product, please return the product to its distributor/dealer for repair or replacement. This warranty DOES NOT COVER normal wear, or any damage as a result of accidents, misuse, abuse or negligence.

[www.futura direct.co.uk](http://www.futura-direct.co.uk)

We FUTURA Direct Ltd, England DN6 7AY declare that the 20V Lithium Cordless Hedge Trimmer exclusively manufactured for FUTURA Direct Ltd and has been manufactured according to our fully quality assurance procedures.