

# Gracious Gardens

## 18V Lithium Cordless Grass Trimmer GGCGT18 User Manual

Please read and  
retain for future  
reference



[www.futura-direct.co.uk](http://www.futura-direct.co.uk)

Search for  
*futura* *direct*

on You 

For in-depth  
user guides &  
tutorials

Follow Us @:





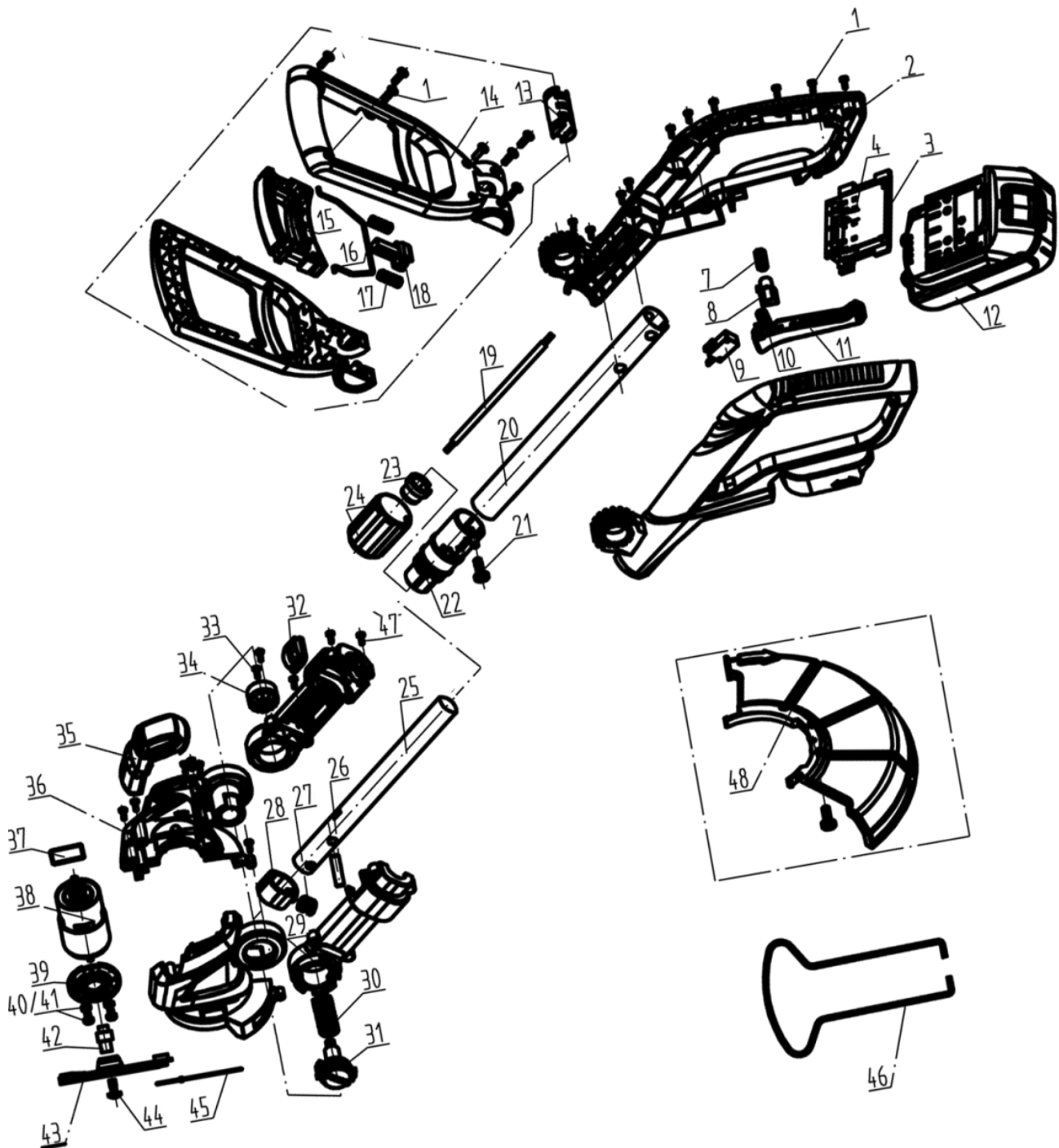
Thank you for choosing our Gracious Gardens Lithium Cordless Grass Trimmer. Please be sure to read this user’s manual carefully before using the unit. If you should encounter any problems, please contact a qualified service technician for help.

## **CONTENTS**

- Parts List**
- Technical Information**
- Safety Instructions**
- Using your Unit**
- Maintenance**
- Warranty**

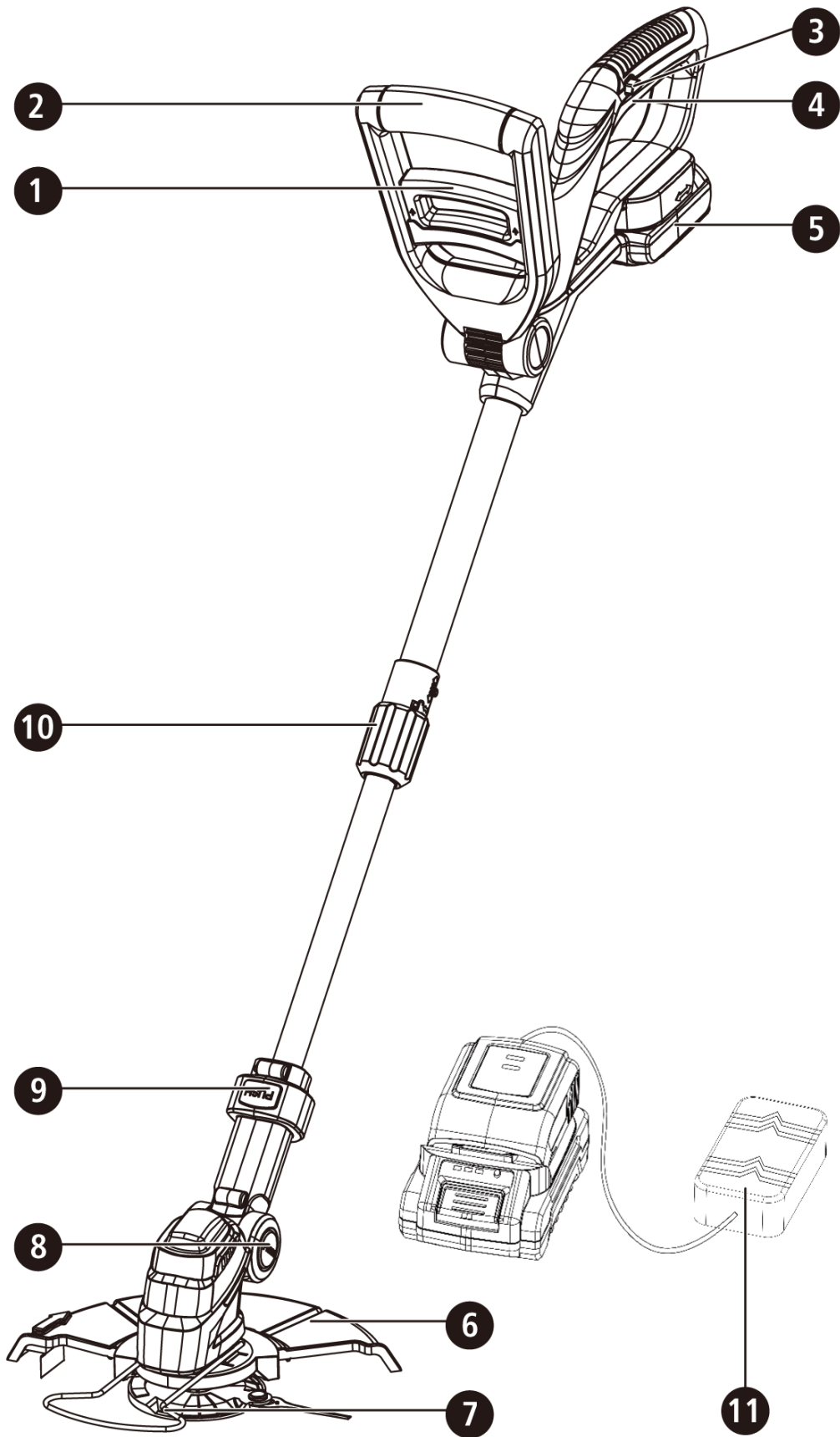
## **PARTS LIST**

<b>No.</b>	<b>Description</b>	<b>No.</b>	<b>Description</b>
1	Screw	26	Stop Pin
2	Housing	27	Spring
3	PCB	28	Lock-Catch
4	Power Base	29	Turning-Housing
7	Push Button	30	Spring
8	Push Button	31	Rotating Button
9	On/Off Switch	32	Trim Button
10	Switch Spring	33	Screw
11	Switch	34	Rotating Button
12	Battery Pack	35	Case Cover
13	Rotating Bracket	36	Head Housing
14	Handle	37	Ring
15	Handle Knob	38	Motor
16	Tie Rod Wire	39	Motor Case
17	Spring	40	Spring Washer
18	Handle Buckle	41	Screw
19	Spring Line	42	Motor Bush
20	Aluminum Tube	43	Blade Holder
21	Screw	44	Counter Screw
22	Locking Sleeve	45	Nylon Blade
23	Aluminum Tube Case	46	Flower Wire
24	Locking Ring	47	Screw
25	Aluminum Tube	48	Shield

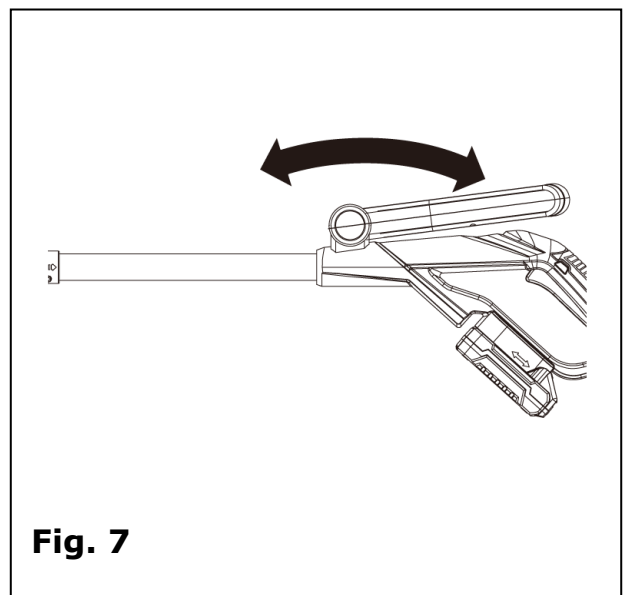
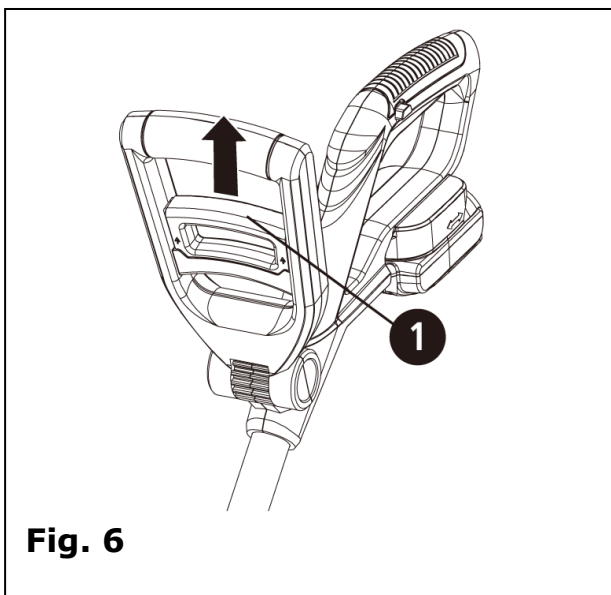
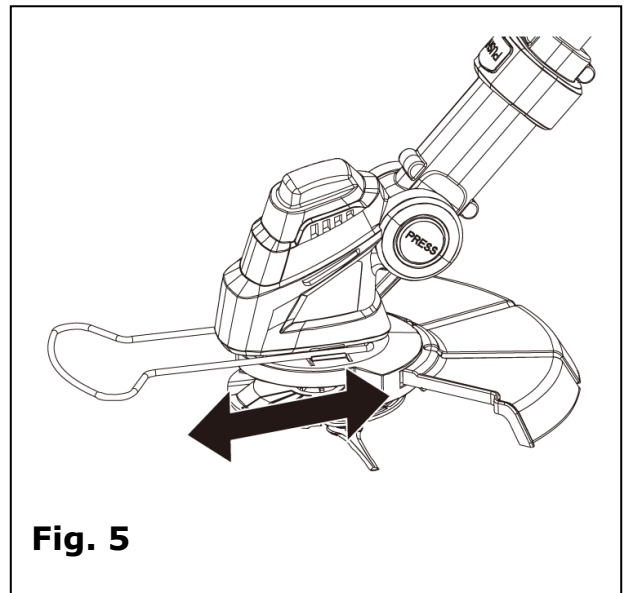
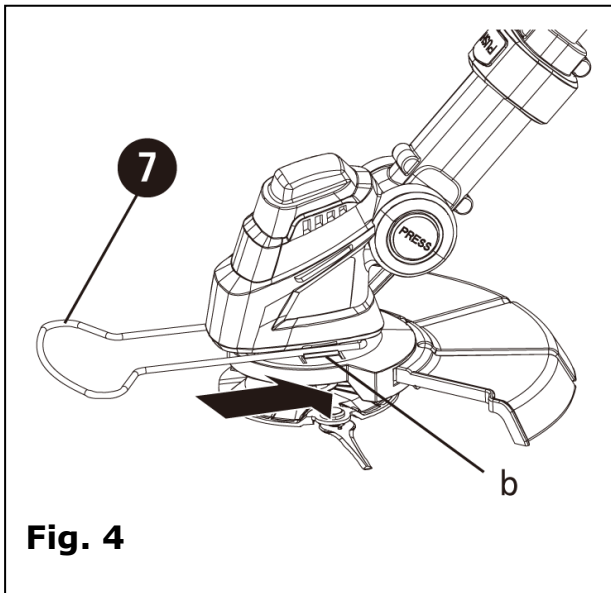
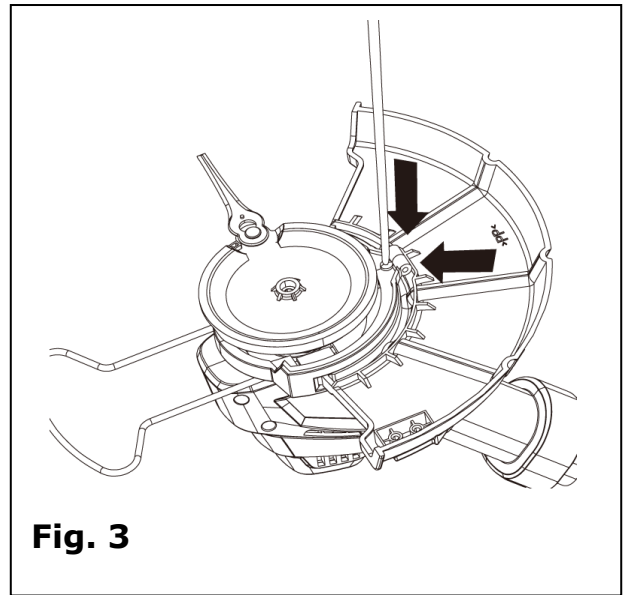
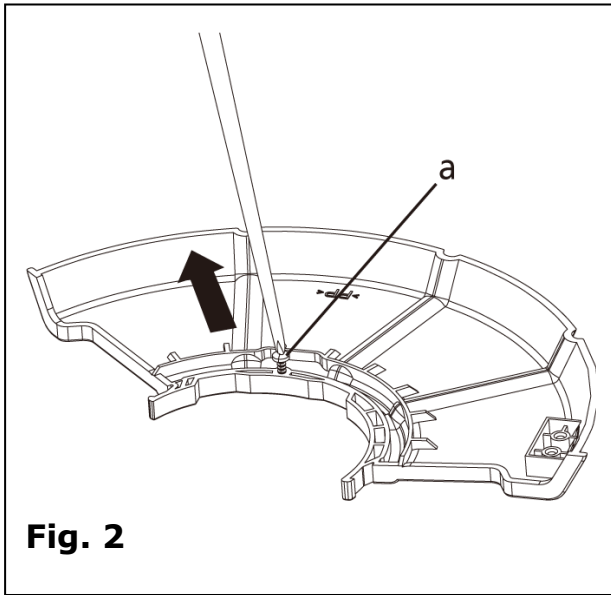
**Exploded Assembly Diagram**

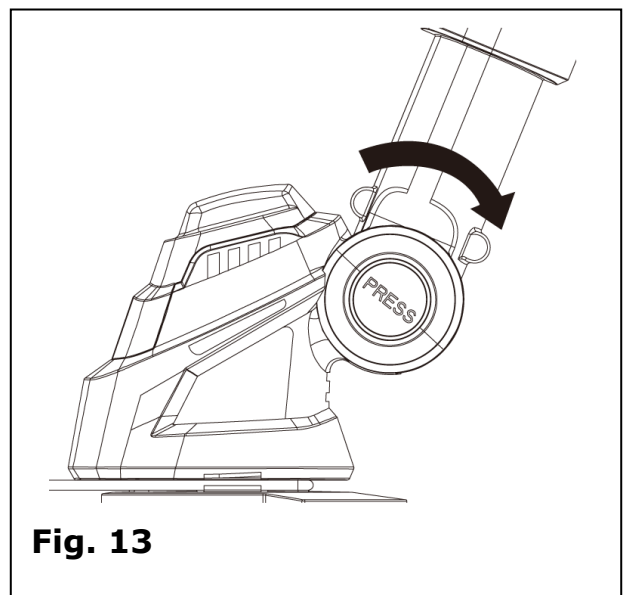
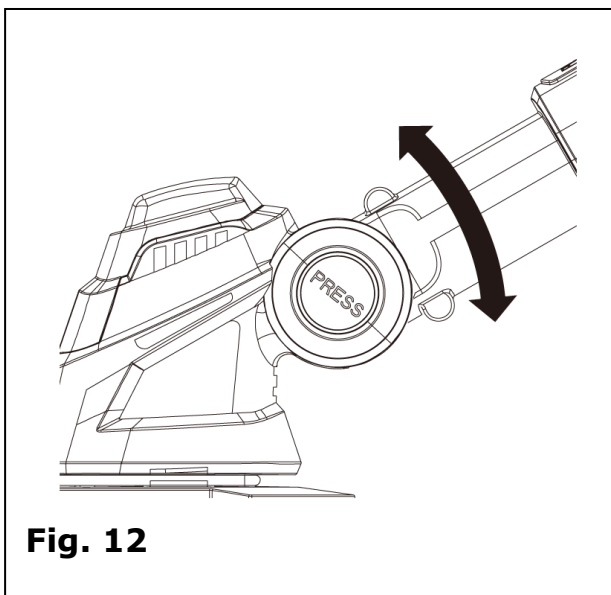
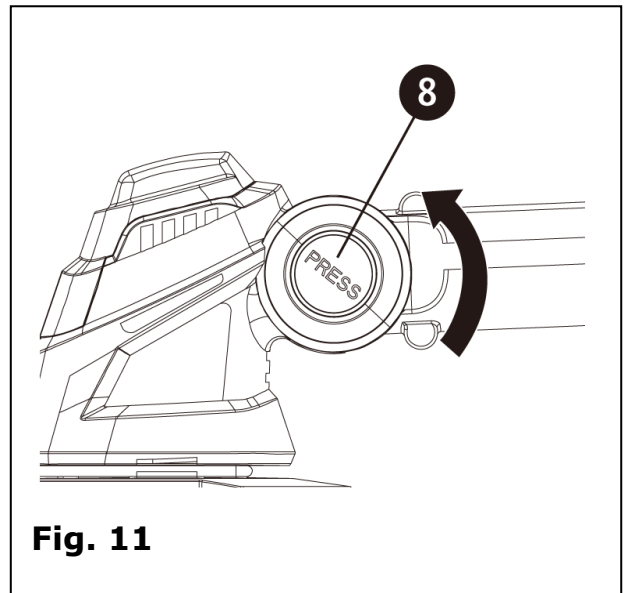
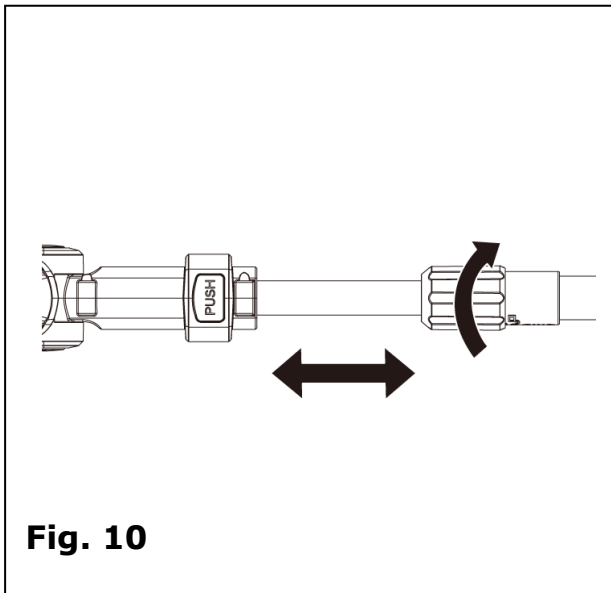
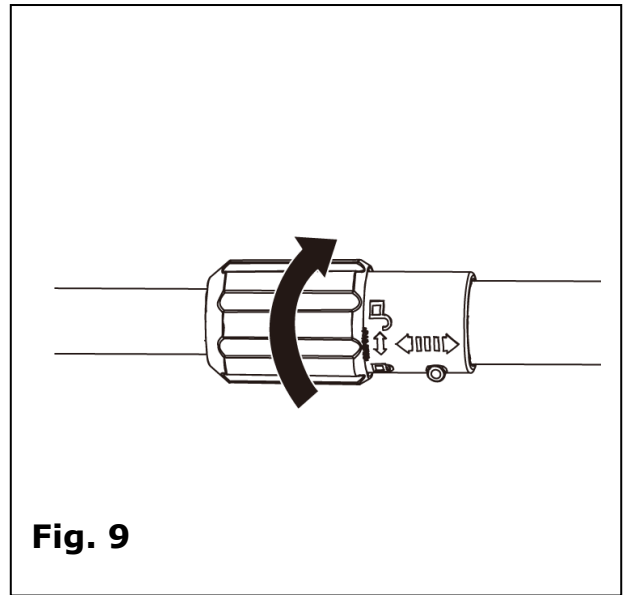
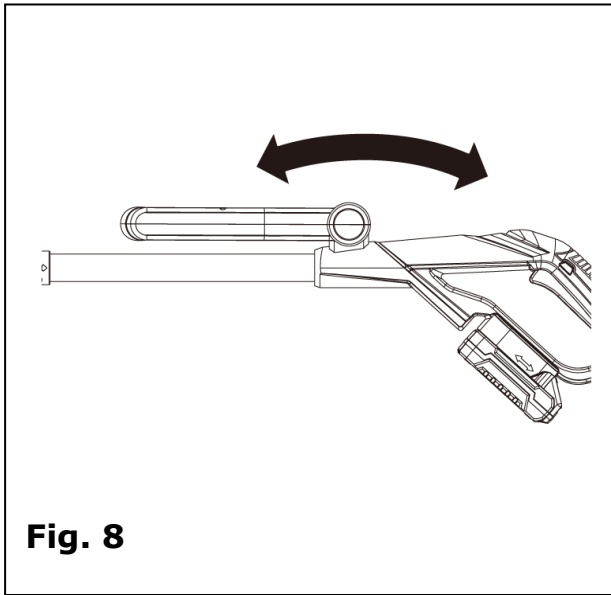
Notice: Actual product may vary from pictures shown.

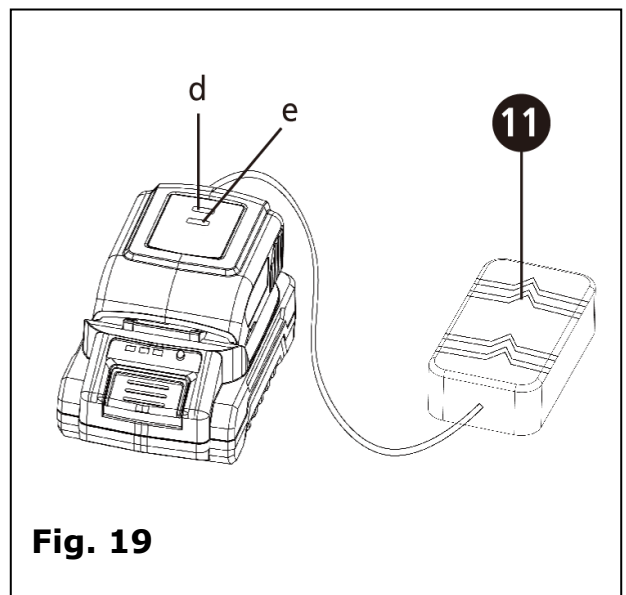
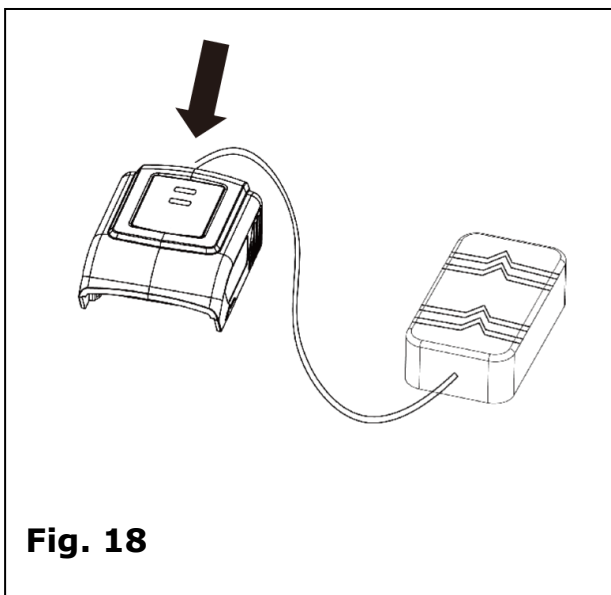
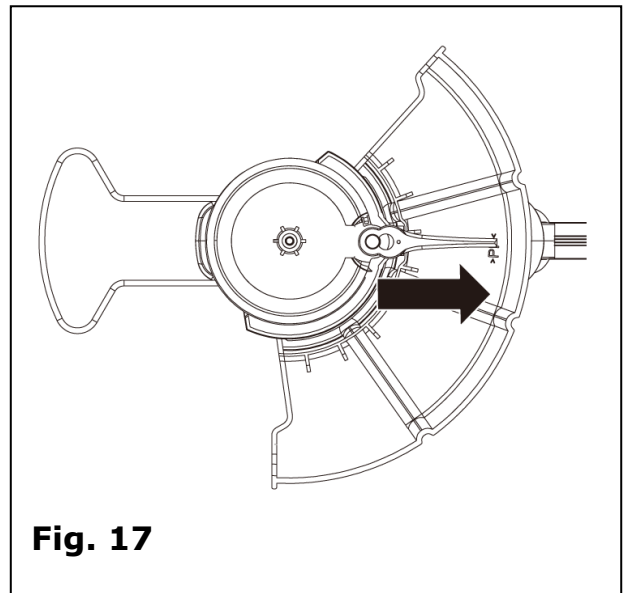
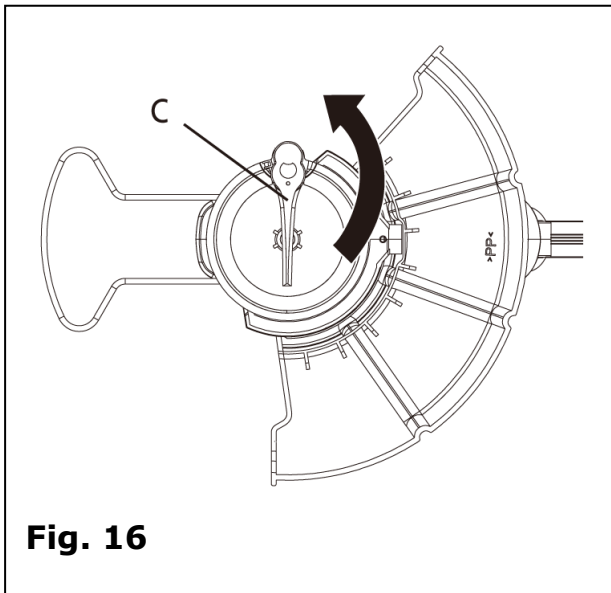
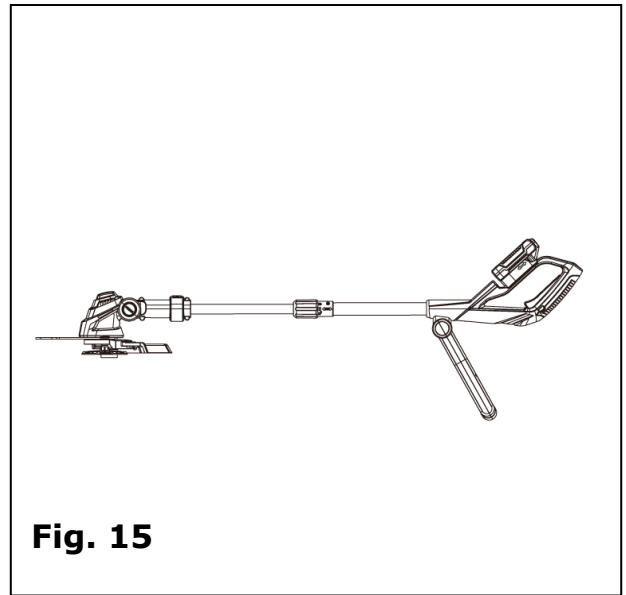
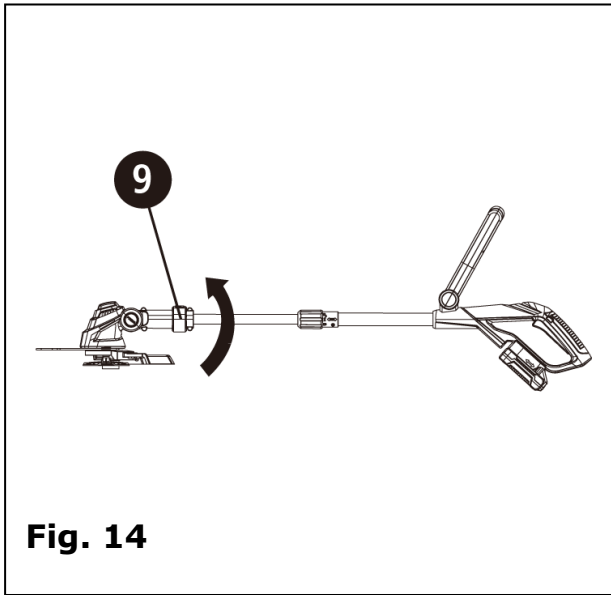


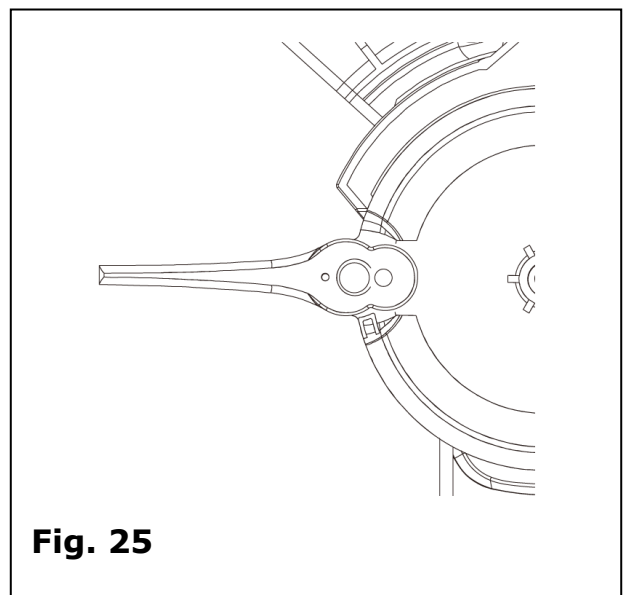
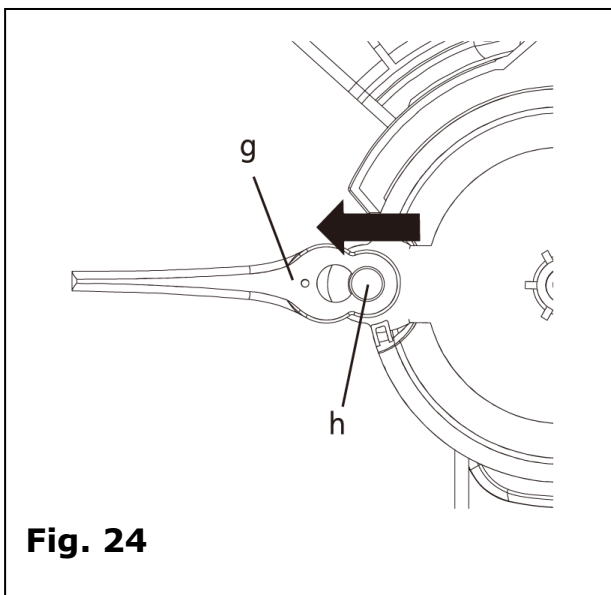
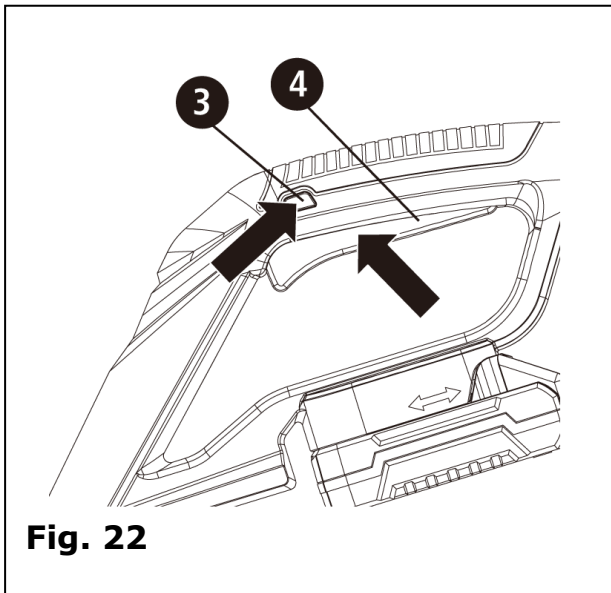
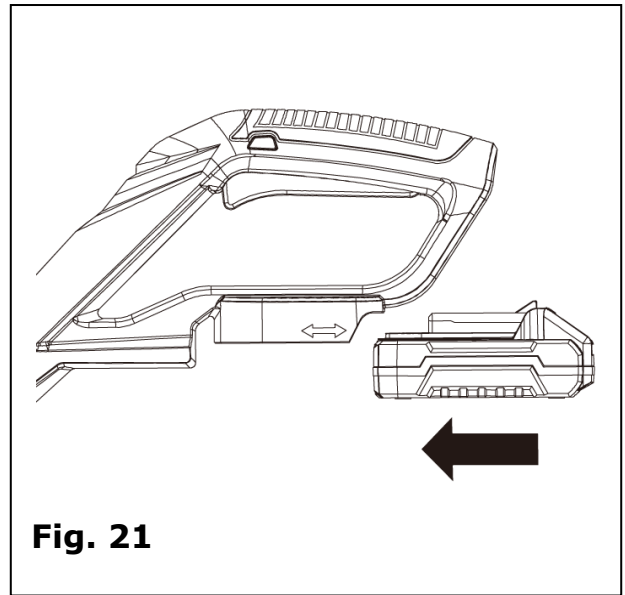
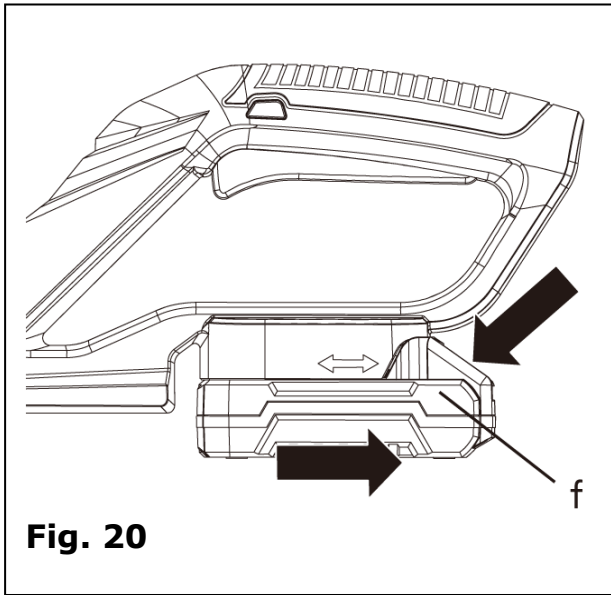


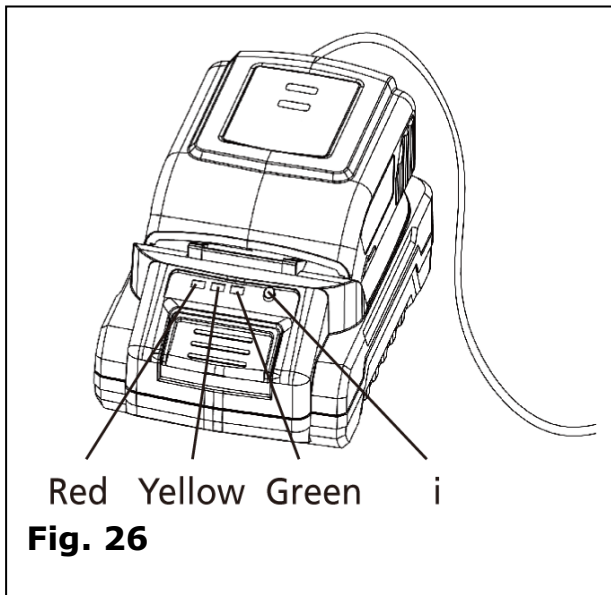
**Fig. 1**











### **Component List**

1. Auxiliary Handle Locking Switch
2. Auxiliary Handle
3. Lock Off Button
4. On/Off Switch
5. Battery Pack
6. Safety Guard
7. Flower Guard
8. Flattening Head Adjustment Button
9. Rotation Locking Button
10. Height Adjustment Locking Knob
11. Charger

## **TECHNICAL INFORMATION**

### **18V Lithium Cordless Grass Trimmer**

**Model: GGCGT18**

Battery voltage: 18 V

Battery capacitor: 1300 mAh Lithium

No-load speed: 8000 rpm

Aluminum Tube Length: 650 mm

Flexible Length: 0 – 280 mm

Mow Diameter: 250 mm

Charging time: 3 – 5 hours

Weight N.W./G.W.: 2.0/2.5kgs

### **Battery charger**

**Model: ZTTC18BC**

Input: AC 100-240V / 50-60Hz 13W

Output: DC 22V / 400 mA



Protection category II

### **Noise and vibration levels**

Sound pressure level 77.7 dB(A);

Sound power level 96 dB(A)

Uncertainty  $K_{PA}$ : 3.0 dB(A) and  $K_{WA}$ : 3.0 dB(A)

**Hearing protection is required for the user.**

### **Vibration levels**

Vibration  $a_h$ : 4.459m/s<sup>2</sup>

Uncertainty  $K = 1.5m/s^2$

The declared vibration total has been measured in accordance with a standard test method and may be used for comparing one tool with another. This total may also be used in a preliminary assessment of exposure.



# SAFETY INSTRUCTIONS

**IMPORTANT: READ CAREFULLY BEFORE USE! KEEP FOR FUTURE REFERENCE!**

## Safe operating practices

### 1. Training

- a) Read the instructions carefully. Be familiar with the controls and the correct use of the machine.
- b) Never allow children, persons with reduced physical, sensory or mental capabilities or lack of experience and knowledge or people unfamiliar with these instructions to use the machine, local regulations may restrict the age of the operator.
- c) Keep in mind that the operator or user is responsible for accidents or hazards occurring to other people or their property.

### 2. Preparation

- a) Before use, always visually inspect the machine for damaged, missing or misplaced guards or shields.
- b) Never operate the machine while people, especially children, or pets are nearby.

### 3. Operation

- a) Wear eye protection, long trousers and stout shoes at all times while operating the machine.
- b) Avoid using the machine in bad weather conditions especially when there is a risk of lightning.
- c) Use the machine only in daylight or good artificial light.
- d) Never operate the machine with damaged guards or shields or without guards or shields in place.
- e) Switch on the motor only when the hands and feet are away from the cutting means.
- f) Always disconnect the machine from the power supply (e.g. remove the battery pack from the machine)
  - 1) Whenever the machine is left unattended;
  - 2) Before clearing a blockage;
  - 3) Before checking, cleaning or working on the machine;
  - 4) After striking a foreign object;
  - 5) Whenever the machine starts vibrating abnormally.
- g) Take care against injury to feet and hands from the cutting means.
- h) Always ensure that the ventilation openings are kept clear of debris.
- i) Never fit metal cutting elements.
- j) Always be sure of your footing on slopes.



- k) Walk, never run.
- l) Do not overreach and keep the balance at all times.
- m) Do not touch moving hazardous parts before removing the battery pack from the machine and the moving hazardous parts have come to a complete stop.

#### **4. Maintenance and storage**

- a) Disconnect the machine from the power supply (e.g. remove the battery pack from the machine) before carrying out maintenance or cleaning work.
- b) Use only the manufacturer's recommended replacement parts and accessories.
- c) Inspect and maintain the machine regularly. Have the machine repaired only by an authorized repairer.
- d) When not in use, store the machine out of the reach of children.

#### **GENERAL SAFETY WARNINGS**

**WARNING! Read all safety warnings and all instructions.** Failure to follow the warnings and instructions may result in electric shock, fire and/or serious injury.

**Save all warnings and instructions for future reference.**

The charger can be used by persons with reduced physical, sensory or mental capabilities or lack of experience and knowledge if they have been given supervision or instruction concerning use of the appliance in a safe way and understand the hazards involved. Children shall not play with the appliance. Cleaning and user maintenance shall not be made by children without supervision.

If the supply cord is damaged, it must be replaced by the manufacturer, its service agent or similarly qualified persons in order to avoid a hazard.

#### **SAFETY WARNINGS FOR BATTERY PACK**

- a) Do not dismantle, open or shred cells or battery pack.
- b) Do not short-circuit a battery pack. Do not store battery packs haphazardly in a box or drawer where they may short-circuit each other or be short-circuited by conductive materials. When battery pack is not in use, keep it away from other metal objects, like paper clips, coins, keys, nails, screws or other small metal objects that can make a connection from one terminal to another. Shorting the battery terminals together may cause burns or a fire.
- c) Do not expose battery pack to heat or fire. Avoid storage in direct sunlight.
- d) Do not subject battery pack to mechanical shock.
- e) In the event of battery leaking, do not allow the liquid to come into contact with the skin or eyes. If contact has been made, wash the affected area with copious amounts of water and seek medical advice.
- f) Seek medical advice immediately if a cell or battery pack has been swallowed.
- g) Keep battery pack clean and dry.
















- h) Wipe the battery pack terminals with a clean dry cloth if they become dirty.
- i) Battery pack needs to be charged before use. Always refer to this instruction and use the correct charging procedure.
- j) Do not maintain battery pack on charge when not in use.
- k) After extended periods of storage, it may be necessary to charge and discharge the battery pack several times to obtain maximum performance.
- l) Battery pack gives its best performance when it is operated at normal room temperature ( $20\text{ }^{\circ}\text{C} \pm 5\text{ }^{\circ}\text{C}$ ).
- m) When disposing of battery packs, keep battery packs of different electrochemical systems separate from each other.
- n) Recharge only with the charger specified by POSITEC. Do not use any charger other than that specifically provided for use with the equipment. A charger that is suitable for one type of battery pack may create a risk of fire when used with another battery pack.
- o) Do not use any battery pack which is not designed for use with the equipment.
- p) Keep battery pack out of the reach of children.
- q) Retain the original product literature for future reference.
- r) Remove the battery from the equipment when not in use.
- s) Dispose of properly.

### **ADDITIONAL SAFETY INSTRUCTIONS FOR YOUR BATTERY CHARGER**

1. Do not charge a leaking battery.
2. Do not use chargers for works other than those for which they are designed.
3. Before charging, ensure your charger is matching the local AC supply.
4. For indoor use, or do not expose to rain.
5. The charging device must be protected from moisture.
6. Do not short out the contacts of battery or charger.
7. Respect the polarity "+/-" when charging.
8. Do not open the unit and keep out of the reach of children.
9. Do not charge the batteries of other manufacturers or ill-suited models.
10. Ensure that the connection between the battery charger and battery is correctly positioned and is not obstructed by foreign bodies.
11. Keep battery charger's slots are free of foreign objects and protect against dirt and humidity. Store the unit in a dry and frost-free place.
12. When charging batteries, ensure that the battery charger is in a well-ventilated area and away from inflammable materials. Batteries can get hot during charging. Do not overcharge any batteries. Ensure that batteries and chargers are not left unsupervised during charging.
13. Do not recharge non-rechargeable batteries, as they can overheat and break.
14. Longer life and better performance can be obtained if the battery pack is charged when the air temperature is between  $18^{\circ}\text{C}$  and  $24^{\circ}\text{C}$ . Do not charge the battery pack in air temperatures below  $4.5^{\circ}\text{C}$ , or above  $40.5^{\circ}\text{C}$ . This is important as it can prevent serious damage to the battery pack.

15. Charge only battery pack of the same model provided by POSITEC and of models recommended by POSITEC

**SYMBOLS**

	<p>Read operator's manual</p>		<p>For indoor use only</p>
	<p>Keep bystanders away</p>		<p>Positive terminal</p>
	<p>Wear eye and ear protection</p>		<p>Negative terminal</p>
	<p>Do not expose to rain</p>		<p>Double insulation</p>
	<p>Do not expose to rain or water</p>		<p>Fuse T 2A time lag fuse with rated current of 2A</p>
	<p>Do not burn</p>		<p>Waste electrical products must not be disposed of with household waste. Please recycle where facilities exist. Check with your local authorities or retailer for recycling advice.</p>
	<p><b>xINR18/65-y:</b> Cylindrical lithium ion battery cells with max diameter of 18mm and max height of 65mm; "x" represents a number cells serial connected, blank if 1; "-y" represents a number of cells paralleled connected, blank if 1.</p>		<p>Li-Ion battery. This product has been marked with a symbol relating to 'separate collection' for all battery packs. It will then be recycled or dismantled in order to reduce the impact on the environment. Battery packs can be hazardous for the environment and for human health since they contain hazardous substances.</p>



## **Unpacking**

Carefully remove the product and any accessories from the box. Make sure that all items listed in the packing list are included.

## **Packing list**

- a) 3-5 hours Charger
- b) 1300mAh Battery pack
- c) Grass trimmer
- d) 10 pcs plastic cutting blades
- e) Instruction manual

# **USING YOUR UNIT**

**NOTE: Before using the tool, read the instruction book carefully.**

## **INTENDED USE**

This grass trimmer is designed for cutting grass and similar soft vegetation and for trimming grass edges in private and hobby garden areas which are not accessible with a lawnmower. This device is not allowed to be used in public gardens, parks, sports centres or at roadsides as well as in agriculture and forestry. This grass trimmer is not allowed to be used for cutting or chopping.

## **ASSEMBLY**

### **1. ASSEMBLY OF THE SAFETY GUARD (See Fig. 2, 3)**

Remove the screw (a) from the safety guard(6).

Attach the safety guard to the trimmer head.

Align the guard so it slides into the slots located on the trimmer head. Secure the safety guard onto the trimmer head with the screw (a).

### **2. ASSEMBLY OF Flower Guard (See Fig. 4, 5)**

Push the Flower Guard (7) into the trimmer head.

NOTE: the flower guard will be aligned with the groove (b) of both sides in the trimmer head.

Pull forward or push back the flower guard (7) to the desired position.

Do not pull the end of flower guard to the groove (b).

### **3. Adjusting Auxiliary Handle (See Fig. 6)**

Pull the Auxiliary handle locking switch (1) upward and rotate the auxiliary handle(2) to the most comfortable and balanced position.

Then release the Auxiliary handle locking switch (1).



NOTE: The Auxiliary Handle can be locked in 8 positions

#### **4. Adjusting The Height (See Fig. 9, 10)**

Unscrew the Height Adjustment Locking knob(10) in the direction indicated to unlock, turn it clockwise.

Adjust the length of the Aluminum tube to the most comfortable length.

Tighten the Height Adjustment Locking knob(10) in the direction indicated to lock, turn it counterclockwise.

#### **5. Adjusting The Cutting Angle (See Fig. 11, 12, 13, 14, 15 )**

Press the cutter angle adjustment button(8) and rotate the machine head to the most comfortable and balanced position.

Then release the cutter angle adjustment button(8).

Push the rotation locking button (9) downward and rotate the shaft 180 degree clockwise.

#### **6. Adjusting the plastic cutting blade (See Fig. 16, 17)**

Rotate the plastic cutting blade(c) out from the cutting head for using.

NOTE: Make sure that the sharp part of plastic cutting blade(c) is always toward the safety guard when using.

**WARNING!** The charger and battery pack are specially designed to work together so do not attempt to use any other devices. Never insert or allow metallic objects into your charger or battery pack connections because of an electrical failure and hazard will occur.

#### **7. CHARGING THE BATTERY PACK (See Fig. 18, 19)**

NOTE:

- a) Do not use any charger other than that specifically provided for use with the equipment.
- b) If the battery pack is very hot you must remove your battery pack from the charger and allow time for the battery to cool down before recharging.
- c) The battery in your new tool is not charged when it leaves the plant. Therefore it must be full charged before using the first time.
- d) Please charge the battery to reach full or no less than half charge before storage. If the tool will not be used for long periods of time, charge the battery every 3-6 months.

#### **CHARGING PROCEDURE**

- 1) Connect the charger with the charger base firstly, and then plug the charger into an appropriate outlet. The light (d) will be green.
- 2) Slide the battery pack into the charger, the light (d) will be off at once, at the same time the light (e) will turn to red to indicate the charging process has started.
- 3) When charging is completed, the light (e) will be off at once, and the light (d) will turn to green. The pack is now fully charged, unplug the charger and remove the battery pack.



**WARNING:** When battery charge runs out after continuous use or exposure to direct sunlight or heat, allow time for the tool to cool down before re-charging to achieve the full charge.

### CHARGING INDICATOR

Light	Status
Red on	Charging
Green on	Fully Charged

#### 8. TO REMOVE OR INSTALL BATTERY PACK (See Fig. 20, 21)

Depress the battery release button (f) to release battery pack from your trimmer.

After recharging, insert the battery pack into trimmer's battery port.

A simple push and slight pressure will be sufficient until a click is heard.

NOTE: When removing the battery pack, hold it firmly to avoid potential accidents.

#### 9. SAFETY ON/OFF SWITCH (See Fig. 22)

The safety switch is locked off to prevent accidental starting.

Depress the lock-off button (3) then depress the on/off switch (4) and release lock off button.

Your trimmer is now on. To switch off, just release the on/off switch(4).

**WARNING!** The cutting head continues to rotate after the trimmer has been switched off; wait until it has completely stopped then lay down the tool.

### OPERATION

**WARNING:** Always wear the eye protection. Never lean over the trimmer head. Rocks or debris can ricochet or be thrown into eyes and face and cause blindness or other serious injury. When operating unit, check for the following:

Wear eye protection and heavy clothing. Hold front handle with one hand and auxiliary handle with the other hand. Keep unit below waist level. Work only from your right to your left to ensure debris is thrown away from you. Without bending over, keep plastic cutting blade near and parallel to the ground (perpendicular when edging) and not crowded into material being cut.

**WARNING:** Make sure that plastic cutting blade is fed out before operation. Make sure motor is up to full speed before trimming

**WARNING:** Use only plastic cutting blade. Other sizes will not feed properly and will result in improper cutting head function or can cause serious injury. Do not use other material such





as wire, string, rope, etc. Wire can break off during cutting and become a dangerous projectile that can cause serious injury.

### **Trimming (See Fig. 23)**

Position the trimmer head as shown for trimming.

Keep the bottom of the trimmer head just above the ground and at an angle.

Allow only the tip of plastic cutting blade to make contact. Do not force plastic cutting blade into work area.

### **CUTTING BLADE REPLACEMENT (See Fig 24, 25)**

There have 10 spare cutting blades included. When you change the blade, you must use the original type of blade or a recommended alternative only.

**WARNING!** Periodically inspect the blade adapter for cracks, especially if you strike a foreign object. Replace when necessary.

1) Turn the head of grass trimmer over so you can see the plastic cutting blade(g) and blade holder(h). The blades have a keyhole shaped slot as shown in (See Fig 24).

To remove a blade, please push it towards the larger end of the keyhole slot (See Fig 24) and then pull the blade upwards (See Fig 25).

You will need to push the blade quite hard before it moves.

2) Before fitting a new blade, clean the blade holder pegs.

To fit a new blade, place the larger end of the keyhole slot over the blade holder peg and then pull the blade outwards until the peg is fitted into the smaller end of the keyhole slot.

You will need to pull the blade quite hard before it moves.

3) Ensure the blades are secure before using.

**NOTE:** The blade will only fit in one direction; do not attempt to fit the blade in the wrong direction.

**WARNING!** Do not touch the rotating blades. Please take care when handling.

### **BATTERY INDICATORS (See Fig. 26)**

**NOTE:** THE INDICATORS GIVE A GENERAL PICTURE OF THE BATTERY'S ACTUAL CHARGE STATUS. THE PERCENTAGES SHOWN BELOW SHOULD THEREFORE BE CONSIDERED AS APPROXIMATE INDICATORS.

THE READINGS FROM THE TWO DIFFERENT INDICATORS CAN DIFFER SOMEWHAT FROM EACH OTHER.

One battery indicator is found on the battery.

Press the button (i) on the side of the battery indicator to display the current battery status.

At 70-100 % power, all three LED Lights (red/yellow/green) will be on.

At 40-70 % power, the green LED light is off, two LED Lights (red/yellow) will be on.

Lower than 40 % power, only the red LED will be on. Then the battery needs be charged.

## MAINTENANCE

Remove the battery before carrying out any adjustment, servicing or maintenance.

Your power tool requires no additional lubrication or maintenance. There are no user serviceable parts in your power tool. Never use water or chemical cleaners to clean your power tool. Wipe clean with a dry cloth. Always store your power tool in a dry place. Keep the motor ventilation slots clean. Keep all working controls free of dust. Occasionally you may see sparks through the ventilation slots. This is normal and will not damage your power tool.

If the charger supply cord is damaged, it must be replaced by the manufacturer, its service agent or similarly qualified persons in order to avoid a hazard.

### Storing Your Grass Trimmer

Always remove the battery pack from your trimmer after use.

Store in a dry place where the trimmer and battery can be protected from damage.

### Disposal

Household Appliances, accessories and packaging should be sorted for environmentally-friendly recycling.

#### Only for EC countries:



Do not dispose of appliances into household waste!

According to the European Directive 2002/96/EC on waste electrical and electronic equipment and its incorporation into national right, products that are no longer suitable for use must be separately

collected and sent for recovery in an environmentally-friendly manner.

## DECLARATION OF CONFORMITY

The declaration is to certify that it conforms to CE, EMC, MD, Noise Emission and RoHS directives:

EN55014-1: 2006 + A1 + A2

EN55014-2: 1997 + A1 + A2

All provisions of Annex 1 of Council Directive 2014/30/EU – EMC directive

EN ISO 3744: 2010

ISO 11094: 1991

All provisions of Annex 1 of Council Directive 2000/14/EC amended by 2005/88/EC – NoiseEmission directive

06/42/EC - Annex I/05.2006

EN786:1996+A2

EN60745-1:2009+A11

All provisions of Annex 1 of Council Directive 2006/42/EC – the Machinery Directive

RoHs 2011/65/EU



Mr. Paul Kaye, UK QA Manager

**Please read the following carefully**

FUTURA Direct Ltd. and/or its distributor have provided the parts list and assembly diagram as a reference tool only.

Neither FUTURA Direct Ltd. or its distributor makes any representation or warranty of any kind to the buyer that he or she is qualified to do any repairs or replace any parts of this product. FUTURA Direct Ltd. and its distributor expressly state that all repairs or parts replacement should be done by certified or licensed technicians. The buyer assumes all risk and liability arising out of his or her repairs or parts replacement to the original product.

## 24 MONTHS LIMITED WARRANTY

If within 24 months from the date of purchase you experience any problems with your product, please return the product to its distributor/dealer for repair or replacement. This warranty DOES NOT COVER normal wear, or any damage as a result of accidents, misuse, abuse or negligence.

[www.futura direct.co.uk](http://www.futura-direct.co.uk)

We FUTURA Direct Ltd, England DN6 7AY declare that the 18V lithium cordless grass trimmer is exclusively manufactured for FUTURA Direct Ltd and has been manufactured according to our fully quality assurance procedures.