



## uKnead UK-7200 Lavita



## User Manual

Please read this user manual thoroughly prior to operating the massage chair. Store this booklet for future reference.

# CONTENTS

Congratulations on purchasing the massage chair. Please read and follow all safety and operating instructions listed in this user manual prior to use. Basic precautions should always be used when operating an electrical appliance.

|                        |       |    |
|------------------------|-------|----|
| Safety Instructions    | ----- | 2  |
| Product Specifications | ----- | 4  |
| Product Components     | ----- | 5  |
| Installation Guide     | ----- | 7  |
| Remote Controller      | ----- | 9  |
| Operation Guide        | ----- | 10 |
| Trouble Shooting       | ----- | 14 |
| Product Maintenance    | ----- | 15 |

# SAFETY INSTRUCTION

## Warning

The plug must be fully inserted into an appropriate outlet. Improper connection of the equipment-grounding conductor can result in the risk of electric shock.

Check with a qualified electrician or service technician, if you are in doubt as to whether the product is properly grounded. Do not modify the plug provided with the product. If the outlet is not suitable. Please ensure that a proper outlet is installed by a qualified electrician.

When using the massage chair, basic precautions should always be followed to reduce the risk of electric shock, burns, fire, or injury to person.

1. Please ensure that you plug the massage chair into a proper electrical outlet.
2. Make sure the power plug is securely inserted into the proper electrical outlet to reduce the risk of short-circuit and fire.
3. Always unplug the massage chair from the electrical outlet immediately after use and before cleaning.
4. Do not use the massage chair in places where the humidity is high.
5. Do not use the massage chair outdoors and avoid place with direct sunlight.
6. If the power goes off during use, be sure to turn the power switch to the "O" position and pull the power plug out from the socket to prevent damage from occurring when the power is restored.
7. Never operate the massage chair if the power cord is wet or damaged.
8. Never plug/unplug the power cord from the socket with wet hands.
9. Close and continuous supervision is necessary when this appliance is being used by on or near children, invalid or disabled persons.
10. Use this appliance only for its intended use as described in this user manual.
11. Do not use any parts not from factory.
12. Do not stand, sit or jump in the calves rest when masage chair is in use to prevent any injury to person.
13. Do not attempt to stand on the backrest and armrest to prevent any injury to person.
14. Be careful not to fall asleep during the massage session.
15. Always keep the massage chair clean and never insert any object into the gaps on and around the massage chair.
16. Do not move the massage chair by pulling the power supply cord.
17. Ensure that there are no person(childred in particular), pet or obstacles undereneath the massage chair prior to lowering the leg rest/backrest.

# SAFETY INSTRUCTION

18. Always check whether the surface of the massage chair is torn or ripped before usage, if you find any unfamiliar rips in any area of the cloth in the backrest, do not use the massage chair, Kindly contact the service centre immediately for repairs.
19. This appliance is designed for household use only.
20. For those suffering from illnesses, please consult your doctor for advice prior to use.
21. The following persons are requested to consult a doctor prior to use in order to reduce the risk of user feeling sick or suffering from injury
  - Those who have malignant tumor
  - Those who suffer from heart disease
  - Those who are experiencing pregnancy, menstruation and puerperal fever
  - Those who require complete rest
  - Those who are under medical treatment
  - Those who suffer from back problem or whose backbone is abnormal or bent
22. If you experience pain during usage, stop using the massage chair immediately, if any injuries occur, seek medical treatment immediately.
23. Never massage the swollen or inflamed parts of the body.
24. This product is non-professional appliance designed to provide a comfortable massage. Do not use this product as substitute for medical treatment.
25. Each massage session should not exceed 30 minutes. Massage the targeted area only for 15minutes, Over-massaging can lead to overheating , thus giving the appliance a shorter lifespan.
- 26 Do not operate where aerosol(spray) products are used or where oxygen is being administered
27. The massage chair is not suitable for children aged 12 and below.

## NOTE:

This appliance is not intended for use by persons(including children) with reduced physical sensory or mental capabilities, or lack of experience and knowledge, unless they have been given supervision or instruction concerning use of the appliance by a person responsible for their safety.

Children should be supervised to ensure that they do not play with the appliance.

If the supply cord is damaged,it must be replaced by a special cord or assembly available from the manufacturer or its service agent.

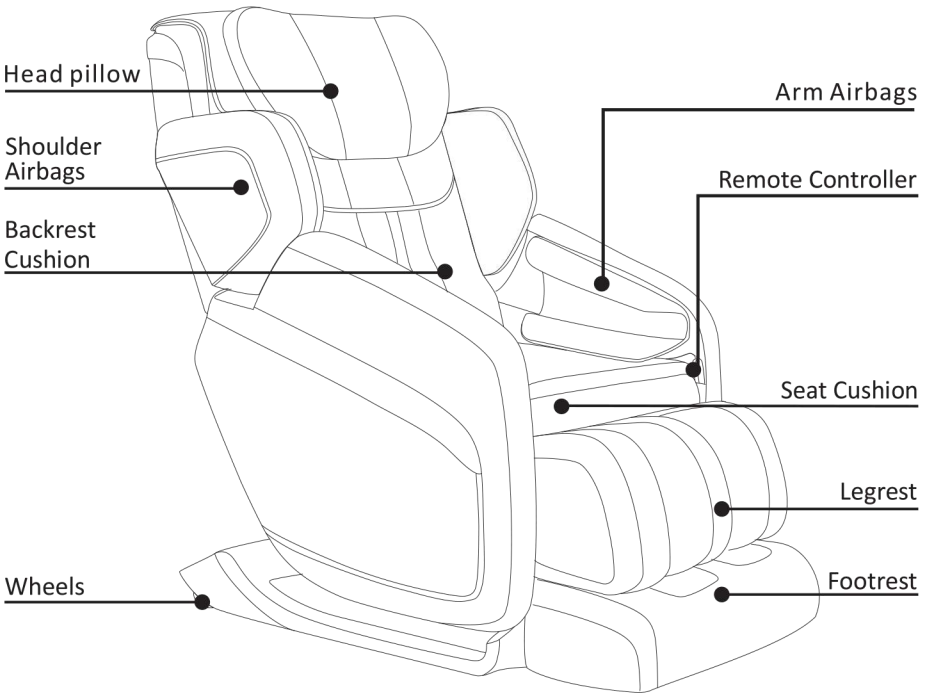
The appliance heats up during operation. persons sensitive to heat must take extra caution when using the appliance.

# PRODUCT SPECIFICATIONS

| Description             | Specifications                            |
|-------------------------|---|
| Product Name            | uKnead Lavita                             |
| Model No.               | UK-7200                                   |
| Rated Voltage           | 110-120V~                                 |
| Rated Frequency         | 50/60Hz                                   |
| Rated Power Consumption | 230W                                      |
| Dimension (LxWxH)       | 1455mm(L)x860mm(W)x1265mm(H)              |
| Weight                  | Net Weight: 99kg      Gross Weight: 133kg |

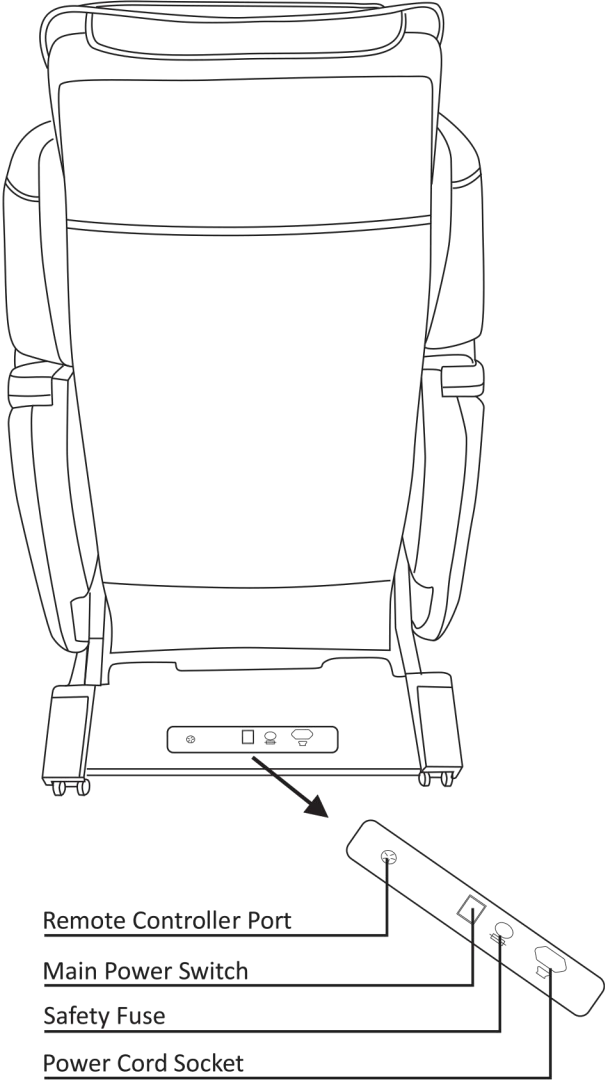
# PRODUCT COMPONENTS

## Main Body Diagram (Front)



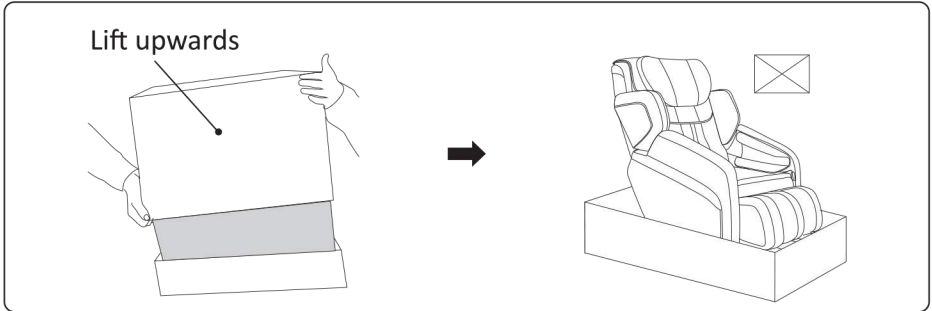
# PRODUCT COMPONENTS

## Main Body Diagram (Rear)



# INSTALLATION GUIDE

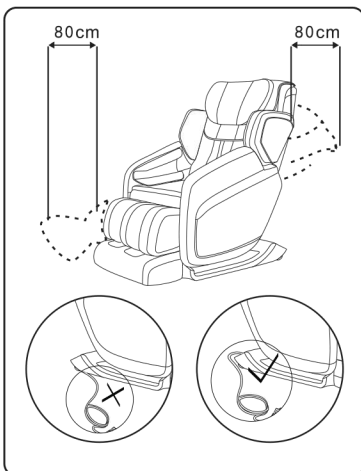
(1) Remove the package and get out the spare parts



- 1) Remove the carton.
- 2) Take out the foam.
- 3) Install the Pillow, backrest cushion, cushion, spare parts.
- 4) The spare parts include: user manual, power cord.

(2) Double check installation steps, smooth out any creases in the cushions

(3) Place the massage chair in an open area



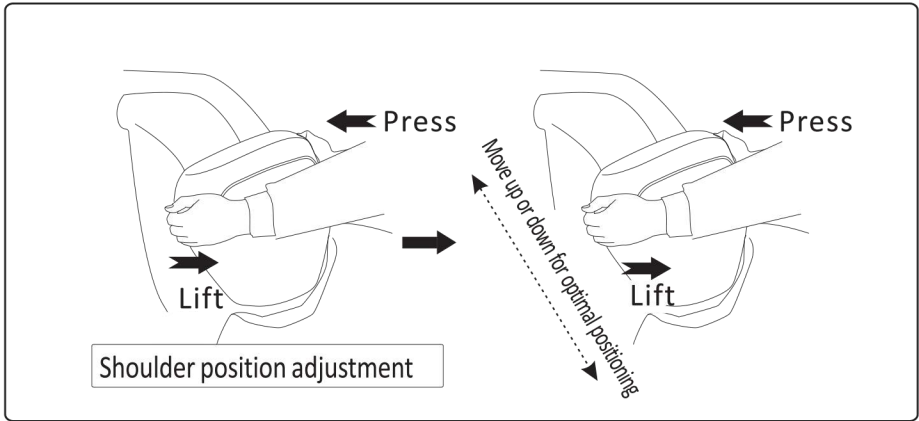
1. Remove the chair from the carton. Place in desired location.
2. Make sure there is sufficient space in front of and behind the chair for reclining. At least 80cm (32") of clearance is required.

- \* We recommend placing an area rug under the chair to prevent damage to the flooring, as well as for noise reduction.
- \* Please make sure there are no objects in front of or behind the chair.
- \* Please do not place on uneven or wet surfaces.
- \* To avoid signal interference, please place at least 4ft away from the TV, radio, and audio video equipment.



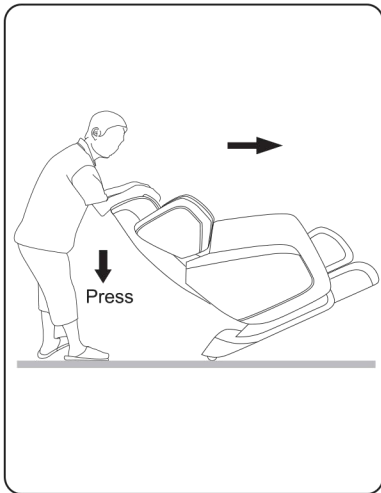
# INSTALLATION GUIDE

## (4) Shoulder position adjustment



1. Move the shoulder air bag higher or lower, depending on the user's height, for optimal shoulder massage efficiency. Be careful not to use too much force to avoid damaging the massage chair.

## (5) Moving the massage chair.



1. As illustrated, push the backrest downwards and tilt chair on to its wheels at a 45° angle. Slowly push and maneuver the massage chair to desired location. Lower massage chair slowly and smoothly until it is fully flat on the ground.

- \*Do not move massage chair when occupied or in use.
- \*Moving the massage chair may cause damage to floors. Floor protection is recommended (e.g. rugs, carpet).
- \*Do not drop or suddenly let go of the chair when moving as it may damage the chair.
- \*Two person participation is recommended. Please use extra care when handling the massage chair.

# REMOTE CONTROLLER

## 1 Remote Controller



# OPERATION GUIDE

## 2 Function description of Controller buttons.



: Press once to power on the massage chair, press again to power off.



: Press to temporarily pause the massage, chair will enter idle mode. Press again to resume massage.



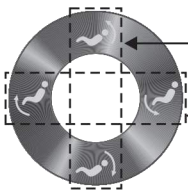
Timer Button: The massage chair is preprogrammed at an optimal 15 minute time period. Press once to increase by 5 minutes in the following sequence: 15 -> 20 -> 25 -> 30 -> 5 -> 10 -> 15.

### Position adjustment area:



"Zero Gravity Button" - Press once to enter Stage 1 Zero Gravity position. Press twice to enter Stage 2 and again to enter Stage 3. Choose the most comfortable position to facilitate the massage. The sequence is as follows:

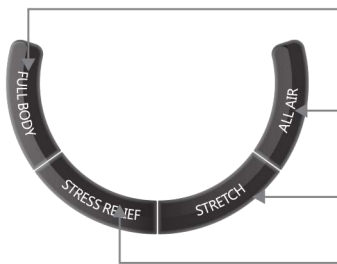
Zero G1 -> Zero G2 -> Zero G3 -> Original Position



: Press and hold to adjust the reclining angle of the backrest and footrest.

: Press and hold to adjust the angle of the footrest.

### Auto Mode:



"Full Body" --- Press repeatedly to select from 4 automatic full body programs. Program is shown on remote as "AUTO 1/2/3/4"

"All Air" --- Press to initiate all air massage program.

"Stretch" --- Press to enter stretching program.

"Stress Relief" --- Press to start stress relief program.

# OPERATION GUIDE

## Manual mode

**MANUAL** : Manual massage technique button.

Kneading -> Tapping -> Dual -> Shiatsu -> Rolling ->OFF  
↑

**SPEED** : Press to increase the speed of the massage rollers, with 3 speed variations to select from.

**AREA** "Area selection button" - Press to select massage area when in manual mode. The sequence is as shown below:

Back -> Waist -> Seat -> Back & Waist -> Waist & Seat -> Whole Body Roll  
↑

**SPOT** "Spot massage button" - Press to stop roller at an exact spot for focal massage. Make micro adjustments of roller position using the up and down arrows.



: Hold the up or down arrow to move the massage rollers to the desired location.



**WIDTH** : Press to adjust massage roller widths from narrow to medium to wide. Width adjustment is not available in kneading mode.

**SOLE** "Sole" - Turn on/off the foot rollers during manual mode.

**CALF** "Calf" - Turn on/off the calf rollers during manual mode.

**HEATING** : Press the button to activate the heating function of massage chair.

**AIR**

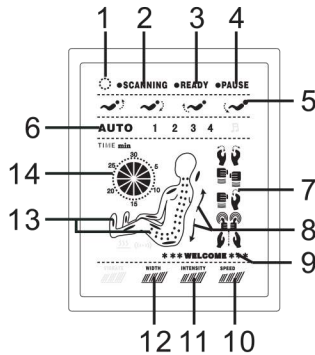
"Air" - Air massage selection button - Press to select areas to perform air massage. Please refer to the remote controller screen, the selected areas will light up on the screen. Press repeatedly to select between different areas.

**- AIR +**

: Press to adjust intensity of air massage, with 3 intensity levels.

# OPERATION GUIDE

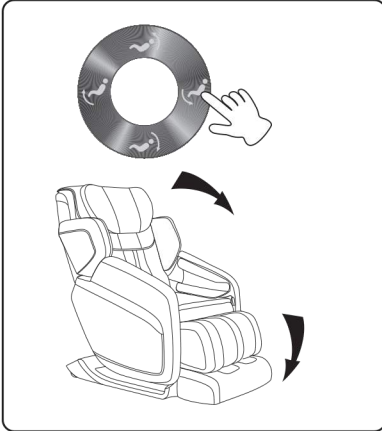
## 3 Display Diagram



1. Massage chair is powered on.
2. Massage chair is scanning the back contour and preparing for initiation.
3. Scanning is complete and ready for massage programs.
4. Pause button has been pressed and chair is temporarily stopped.
5. Reclining position adjustment buttons are pressed and the backrest and /or legrest are moving.
6. Displays which automatic program is activated.
7. Displays which massage technique is activated at the time.
8. Depicts the direction of the massage rollers, moving upwards or downwards.
9. Cheerful greeting from your massage chair.
10. Shows the massage speed level.
11. Shows the air intensity level.
12. Shows massage roller width.
13. Displays the location of massage rollers and active air bags.
14. Depicts time remaining in current massage program.

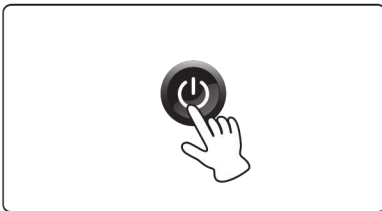
# OPERATION GUIDE

## 4 After use

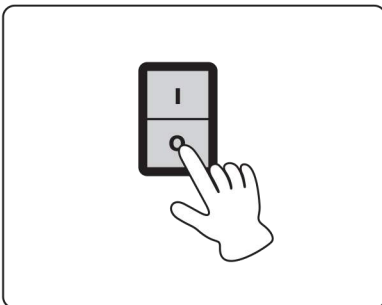


1. After the massage program is completed, return chair to upright position by pressing the Recline Angle Adjustment button.

- Please survey surrounding area prior to adjusting the recline angle, paying special attention to children or pets that may be in close proximity.
- Please make sure your arms and legs are away from gaps between the armrest, legrest, and footrest, to prevent any possible pinching or injury.



2. Press the power button to power off the massage chair and return remote controller to the storage box.



3. Turn off the main power switch.

4. Remove plug from power outlet.

\* Please do not pull on the power cord to remove the plug.

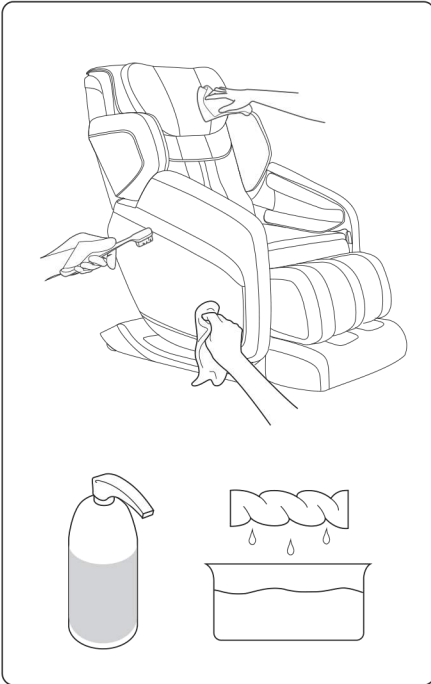
\* Please do not unplug with wet hands.

# TROUBLE SHOOTING

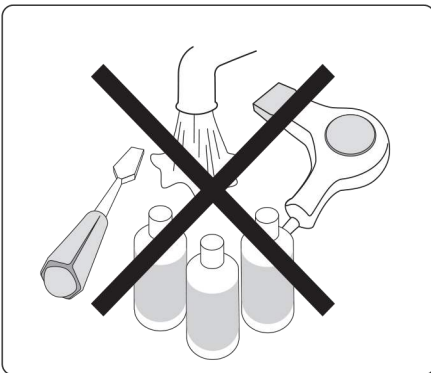
If abnormal sounds or movements are observed, please power off the massage chair by turning off the main power switch, and removing the plug from the electric outlet. Please contact the customer service department for further assistance.

| Problem  | Solution   |
|--|--|
| The massage chair is connected to power but is not functioning.                | <ol style="list-style-type: none"><li>1. Check to see if plug is inserted properly, or if power outlet is functioning properly.</li><li>2. Check to see if the main power switch is in the "I" position.</li></ol> |
| The remote controller is responding, but the massage chair is not functioning. | The massage chair may have automatically shut down due to overheating protection devices. Please turn off the power and allow the chair to cool off for 30-50 minutes.   |
| Both the remote controller and massage chair are not responding.               | The massage chair automatically goes into idle mode when a massage program is completed. Please press the power button again to turn on the chair.   |

## PRODUCT MAINTENANCE



- \* Please use a dry cloth to wipe off any moisture.
- \* Use only mild detergent diluted with water to clean the textile covering.
- \* Use a slightly damp cloth to wipe down the massage chair when necessary.



- \* Please unplug the power cord prior to cleaning the massage chair
- \* Do not unplug with wet hands
- \* Do not spray or pour water on to the massage chair
- \* Do not use a blow dryer to dry off moisture on the textile covering
- \* Please do not apply harsh chemicals, bleach, or sulfuric cleaning agents to the covering