



humantouch.com

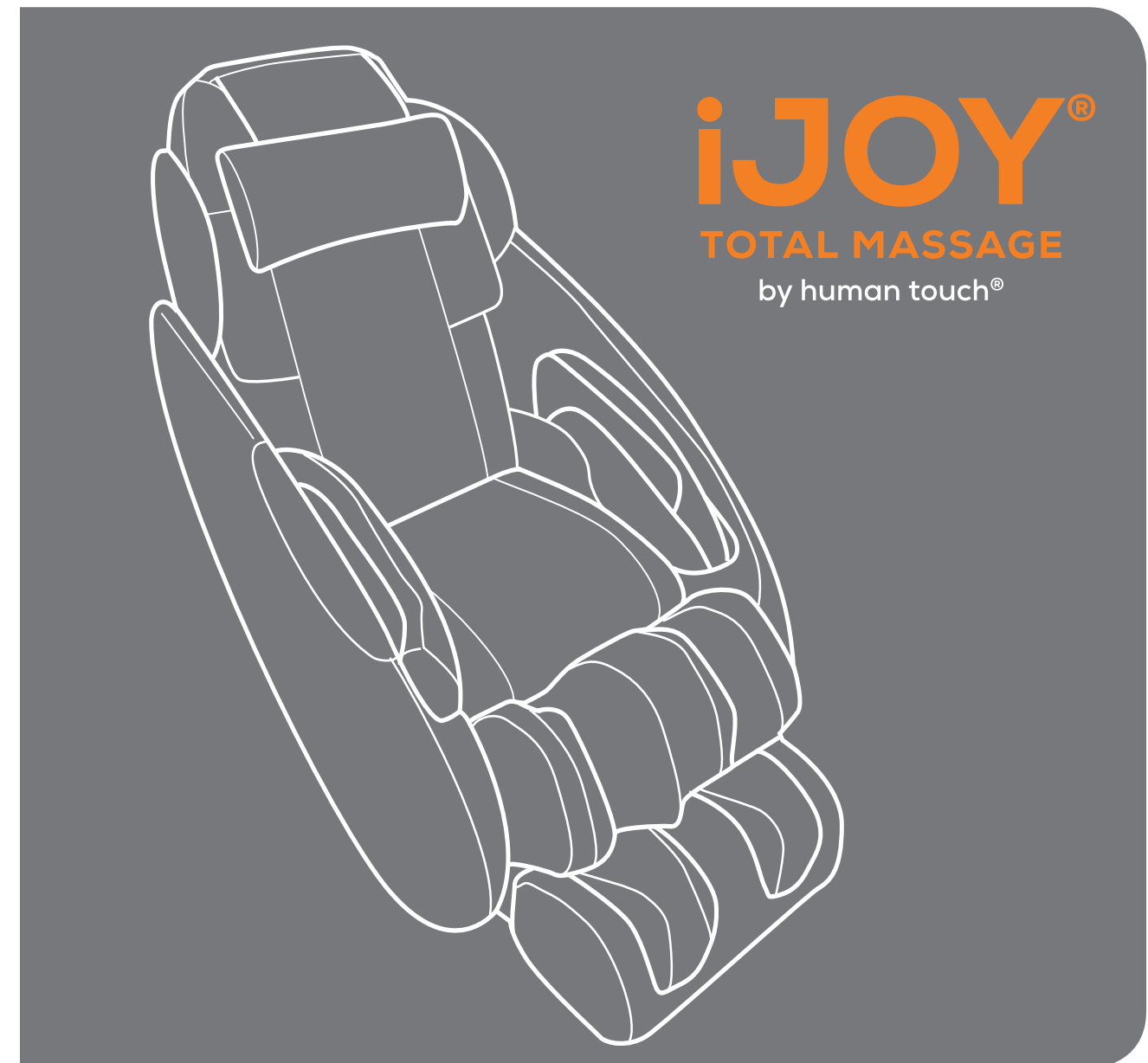
800.355.2762

©2020 Human Touch®, LLC. Patents pending and intellectual property rights enforced.

No medical claims are warranted or implied by the use of this product.

Human Touch is a trademark of Human Touch®, LLC.

iJoy™-NA-A0



use & care manual

Register your product **ONLINE** today

www.humantouch.com/register

Register your product **ONLINE** today

www.humantouch.com/register

ENG

use & care manual

FRC

mode d'emploi et d'entretien



For **more than four decades**, Human Touch has established itself as an industry leader that is changing the lives of its customers with products and services that help them **feel, perform, and live their best**. Developed in cooperation with the medical community and industry experts, we deliver products that blend patented technology, craftsmanship and intelligent ergonomics with superior design to enable therapeutic relief for everyone.

Our industry-leading massage chairs, Perfect Chair® recliners and evolving set of innovative solutions share attributes in their ease-of-use, attention to performance and quality, and design to adapt to most any lifestyle. These attributes are highly valued by our customers and garner broad industry award and recognition. As a result, Human Touch empowers people to enjoy greater health and vitality in their professions, pursuits and everyday lives. And with a population increasingly aware of the benefits of wellness, Human Touch extends its brand leadership and available **solutions for the benefit of everyone**.

humantouch.com

Proudly endorsed by:



Register your product at www.humantouch.com to ensure your product is in our system to simplify the warranty process should you ever need it.

iJOY®

TOTAL MASSAGE

by human touch®

Welcome to the World of iJOY® by Human Touch®

Say hello to full-body bliss that will leave you feeling relaxed, refreshed and rejuvenated. The iJOY Total Massage by Human Touch features advanced FlexGlide® 360 technology that simulates the expert techniques used by massage professionals. The fully-encompassing foot and calf massager completes your head to foot massage experience with soothing air massage that you can also feel in the shoulders, arms and seat. This is exactly where you want to be after a long day or a tough workout or when you simply need a moment to yourself.

To ensure that you don't overlook any of your chair's features, and that you use it safely, read this manual carefully. Then sit back and unwind in the iJOY Total Massage, a sleek massage chair that is the perfect addition to your living space.

keep it safe

IMPORTANT SAFETY INSTRUCTIONS

When using an electrical appliance, basic precautions should always be followed, including the following:

Read all instructions before using this appliance.

DANGER: To reduce the risk of electrical shock

Always unplug this product from the electrical outlet immediately after using and before cleaning.

WARNING: To reduce the risk of burns, fire, electric shock or injury to persons:

- Do not put hands or fingers near the massage mechanism or rollers while this product is running. Touching the mechanism can result in injury from the rollers squeezing together.
- If the supply cord is damaged, it must be replaced by the manufacturer or its service agent or a similarly qualified person in order to avoid a hazard.
- An appliance should never be left unattended when plugged in. Unplug from outlet when not in use, and before putting on or taking off parts.
- Do not operate under blanket or pillow. Excessive heating can occur and cause fire, electric shock, or injury to persons.
- Close supervision is necessary when this product is used by, on, or near children, invalids, or disabled persons. Keep children away from extended foot support (or other similar parts).
- Use this product only for its intended use as described in this manual. Do not use attachments not recommended by the manufacturer.
- Never operate this product if it has a damaged cord or plug, if it is not working properly, if it has been dropped or damaged, or dropped into water. Return this product to a service center for examination and repair.
- Do not carry this appliance by supply cord or use cord as a handle.
- Always keep the power cord away from heated surfaces.
- Never operate this product with the air openings blocked. Keep the air openings free of lint, hair, and the like.
- Never drop or insert any object into any opening.
- Do not use outdoors.
- Do not operate where aerosol (spray) products are being used or where oxygen is being administered.
- To disconnect, turn all controls to the OFF position, then remove plug from outlet.
- Do not massage any area of the body that is swollen, inflamed or covered with skin eruptions.
- Do not use on unexplained calf pain.
- Do not use this product when standing on a damp floor, or when any part of the body is in contact with plumbing or any similar ground.
- Connect this appliance to a properly grounded outlet only. See GROUNDING INSTRUCTIONS.
- Use heated surfaces carefully. May cause serious burns. Do not use over sensitive skin area or in the presence or poor circulation. The unattended use of heat by children or incapacitated persons may be dangerous.
- Do not use this product if noise above normal sound is heard.
- Do not stand on or in appliance. Use only while seated.
- This appliance is not intended for use by persons (including children) with reduced physical, sensory or mental capabilities, or lack of experience and knowledge, unless they have been given supervision or instruction concerning use of the appliance by a person responsible for their safety. Children should be supervised to ensure that they do not play with the appliance.

Safety Precautions

- Comfortable clothing is recommended while using this product.
- This product was meant to be used in a relaxed position. Never force any body part into the backrest area while the rollers are moving.
- If you feel any abnormal discomfort during the operation of this product, turn off the power immediately and do not use the product. Consult your physician.
- Do not sit on the controller.
- Do not pull on the AC cord.
- When using this product after it has been in storage, check to see that the product is operating properly prior to use.
- Always confirm that there are no obstacles behind the product and that there is sufficient space to recline.


SAVE THESE INSTRUCTIONS

Do not attempt to repair this product yourself.

This product is designed for personal in-home use. Commercial use will void warranty.

Grounding Instructions:

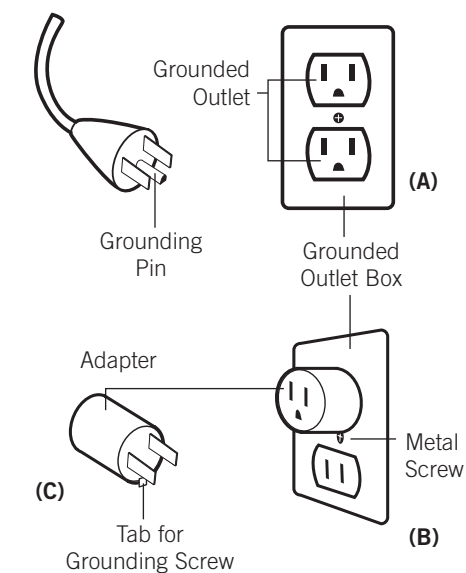
This product must be grounded. If it should malfunction or breakdown, grounding provides a path of least resistance for electrical current to reduce the risk of electric shock. This product is equipped with a cord having an equipment-grounding conductor and a grounding plug. The plug must be plugged into an appropriate outlet that is properly installed and grounded in accordance with all local codes and ordinances.

 **DANGER:** Improper connection of the equipment-grounding conductor can result in a risk of electronic shock. Check with a qualified electrician or serviceman if you are in doubt as to whether this product is properly grounded. Do not modify the plug provided with the product – if it will not fit the outlet, have a proper outlet installed by a qualified electrician.

This product is for use on a nominal 120-volt circuit and has a grounding plug that looks like the plug illustrated in sketch (A). A temporary adapter that looks like the adapter used in sketches (B) and (C) may be used to connect this plug to a 2-pole receptacle as shown in sketch (B), if a properly grounded plug is not available. The temporary adapter should be used only until a properly grounded outlet (sketch A) can be installed by a qualified electrician. The green colored, rigid ear tab or the like extending from the adapter must be connected to a permanent ground such as a properly grounded outlet box cover. Whenever the adapter is used, it must be held in place by a metal screw.

For all grounded cord-connected products:

Grounding methods:



The use of a temporary adaptor is not permitted in Canada.



This device complies with Part 15 of the FCC Rules. Operation is subject to the following two conditions: (1) This device may not cause harmful interference, and (2) this device must accept any interference received, including interference that may cause undesired operation.

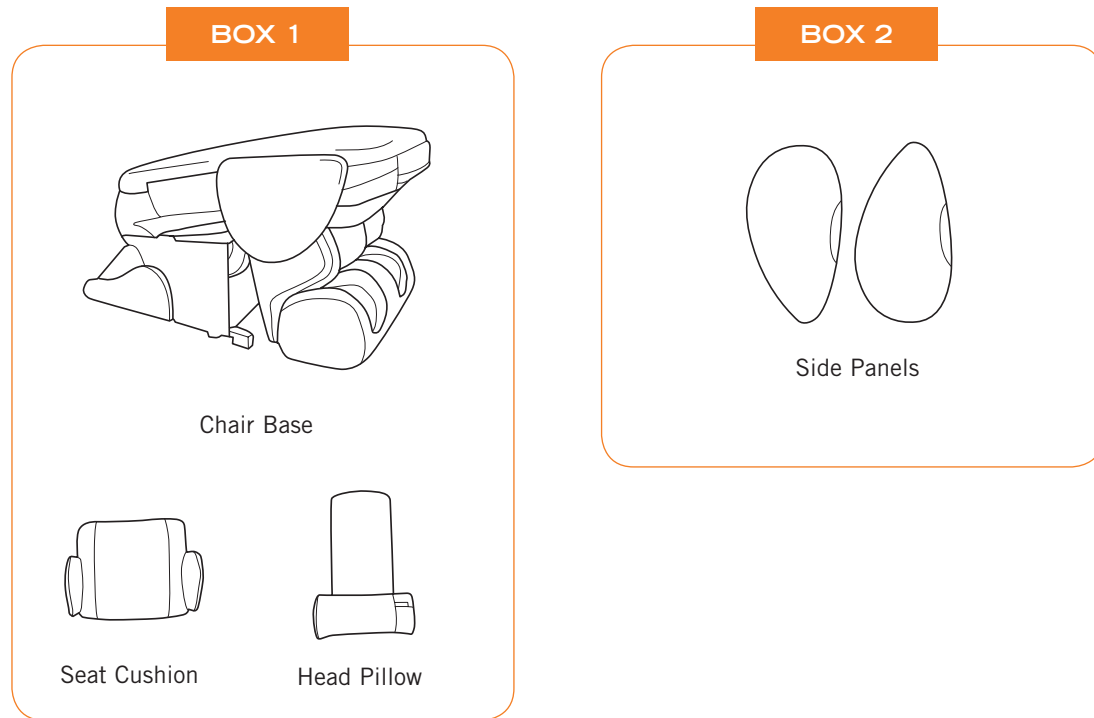


WARNING: This product is equipped with a thermal resetting protection device. This is an added safety feature to protect you and this product from overheating. If the product should suddenly stop and will not start, turn the main power switch, located on the back of the product, off and do not operate the product for at least 30 minutes. Failure to turn the product off may result in the product starting unexpectedly when the device cools.

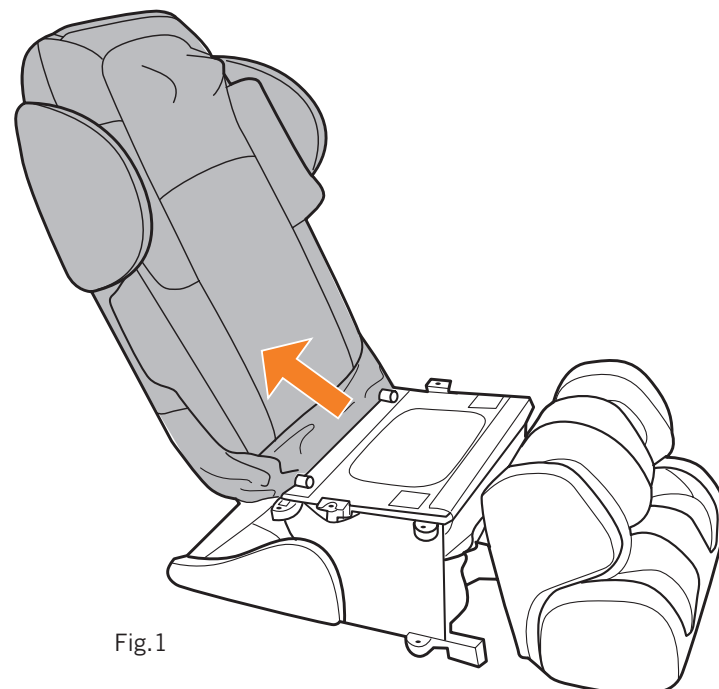
get ready

Your iJoy Total Massage chair requires some simple assembly. Just install the side panels, attach the seat cushion, place the head pillow and you're done!

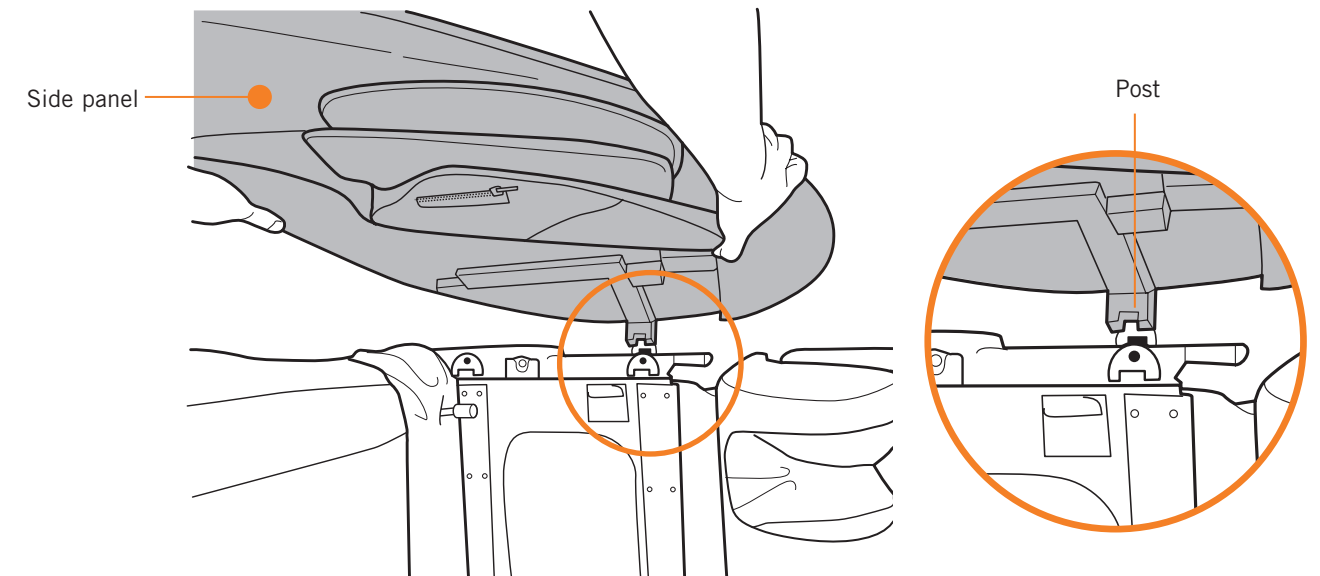
Unpack the boxes



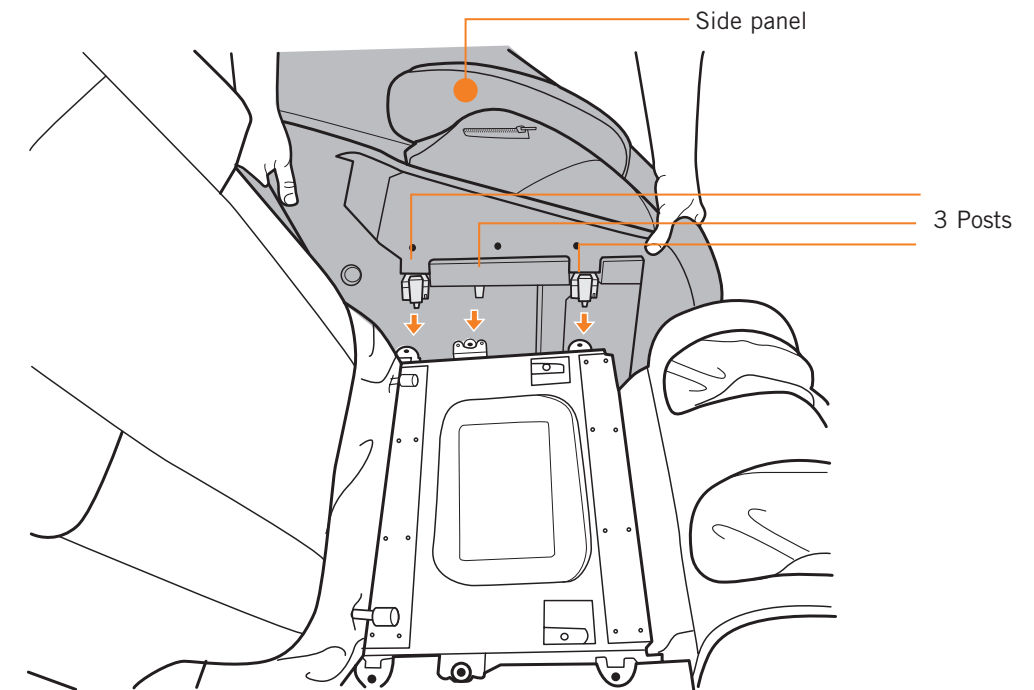
1. Raise the backrest to the upright position (Fig.1).



2. Align the post on the bottom of one side panel with the corresponding hole on the chair base (Fig.2).



3. Align the three posts in the center of the side panel with the corresponding holes on the chair base (Fig.3).



4. Push firmly down on the side panel to secure it (Fig.4).

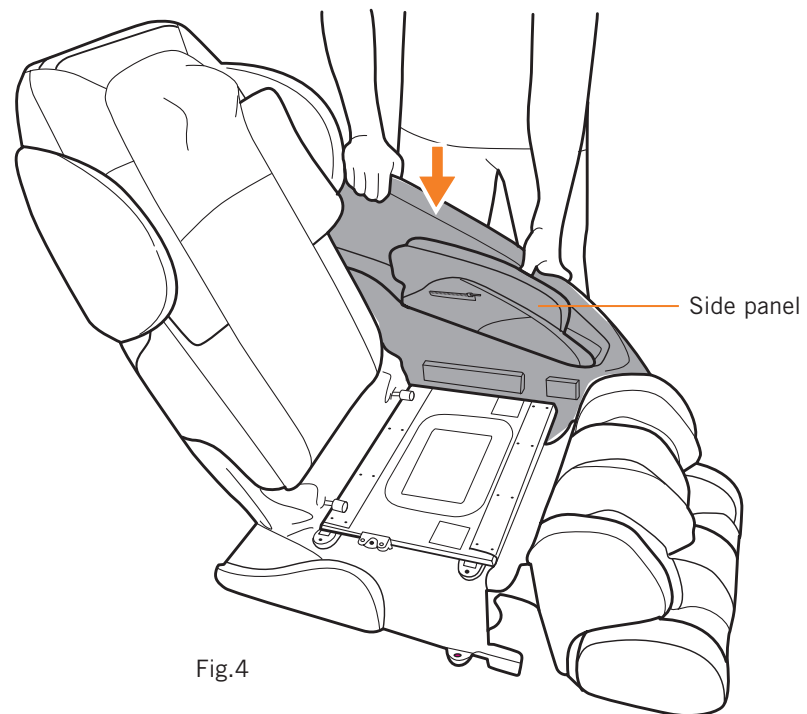


Fig.4

5. Repeat steps 2 – 4 to install the other side panel (Fig.5).

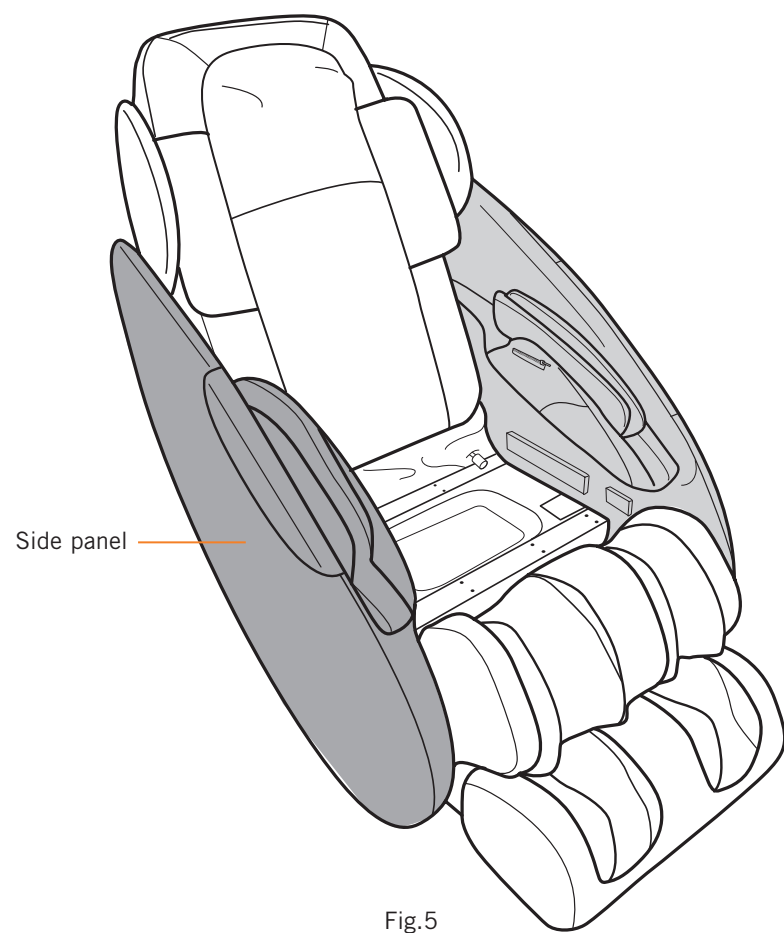


Fig.5

6. Squeeze the two sides of the seat cushion together to minimize the cushion width, then place the seat cushion into position on the chair seat (Fig.6).

7. Connect the two air hoses to the corresponding air hoses on the chair base (Fig.6).

IMPORTANT: Push both sides of the hose connection firmly together to ensure that the connection is secure.

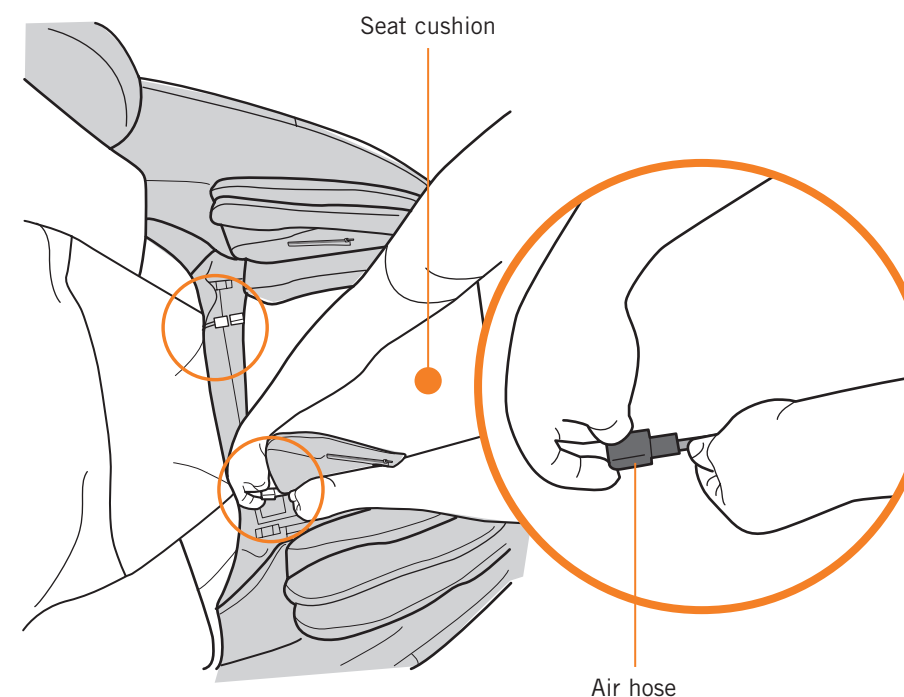
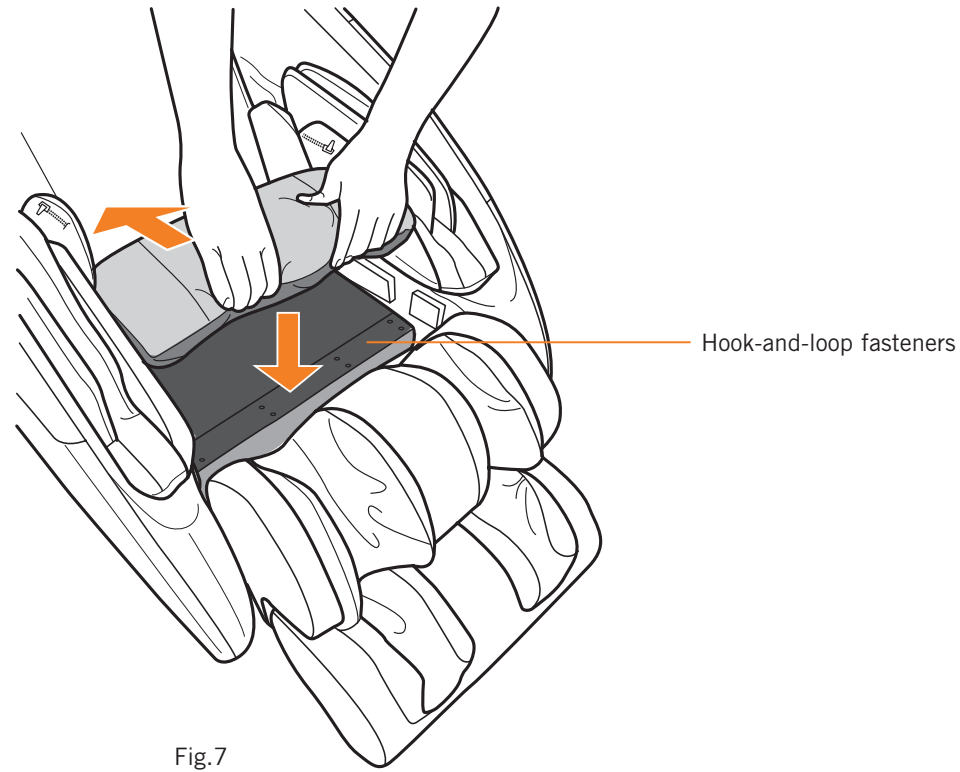
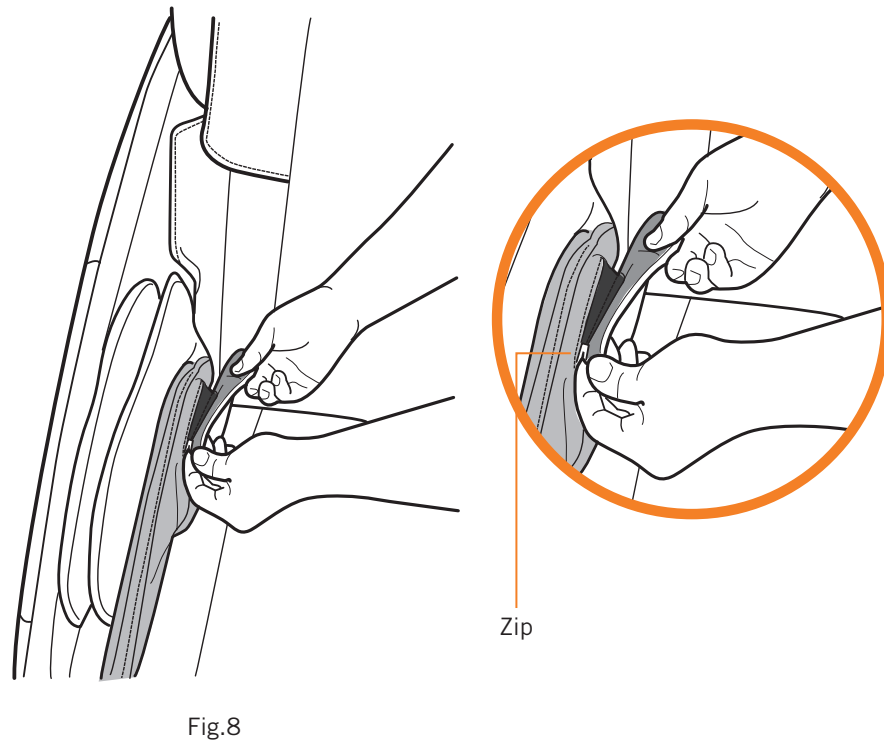


Fig.6

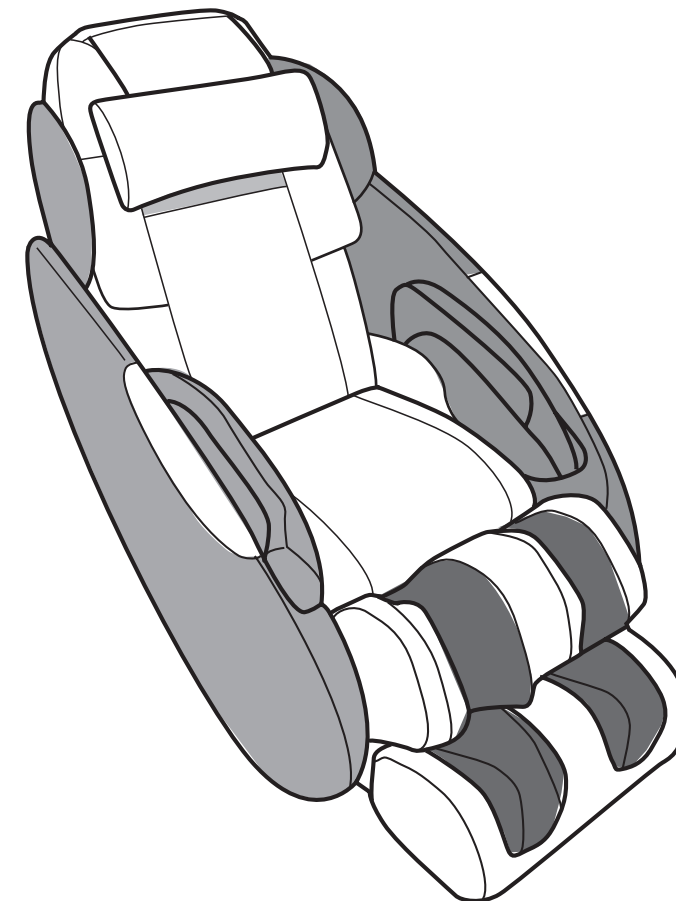
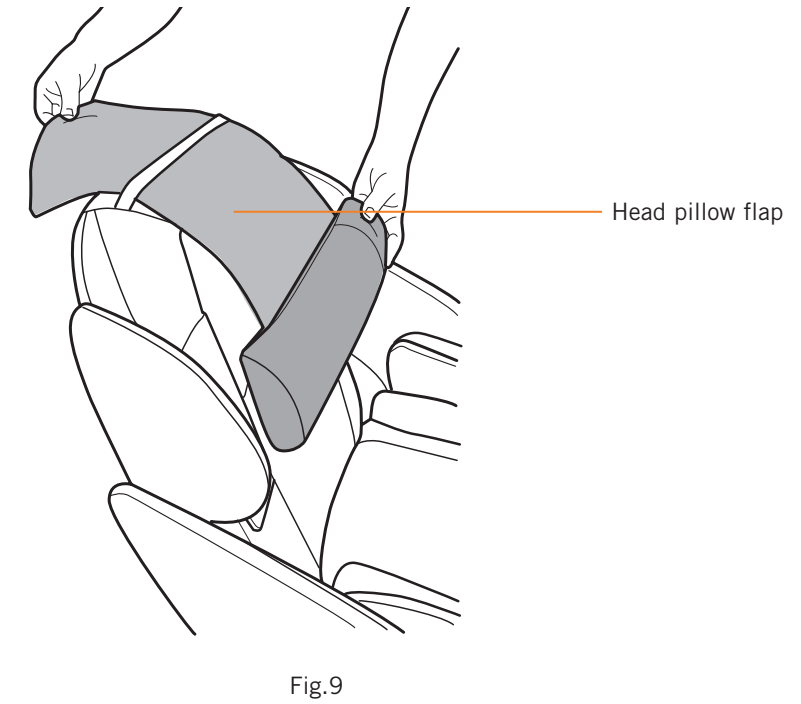
8. Slide the cushion back as far as it will go, then press down on the cushion to secure it; the cushion is secured using hook-and-loop fasteners (Fig.7).



9. Zip each side of the cushion to the chair side panel (Fig.8).



10. Slide the head pillow flap through the retaining strap from the front, then adjust the pillow to the desired height (Fig.9).



11. Secure the remote control cable to the side of the chair using the cable guide (Fig.10).

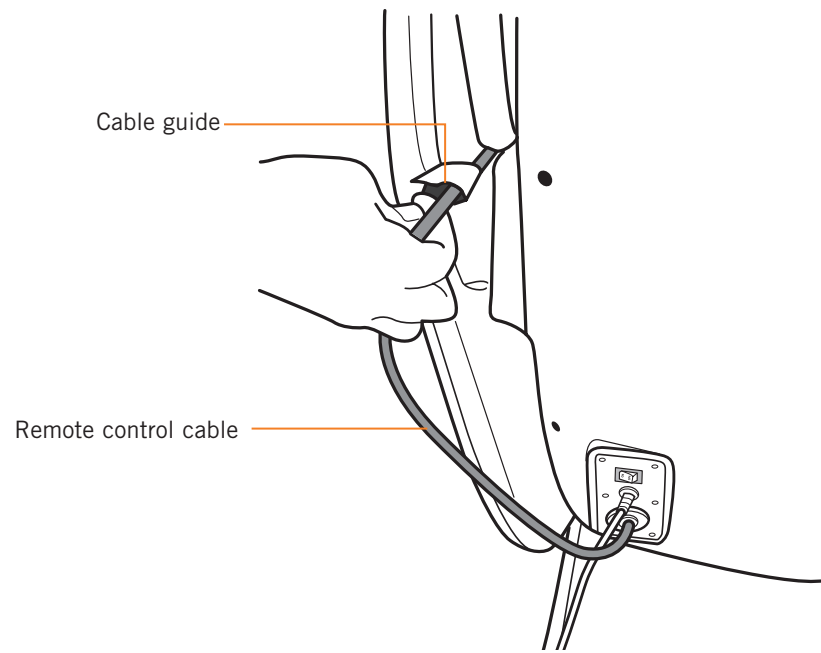


Fig.10

13. Insert the remote control into the remote pocket on the left-hand side panel (Fig.12).

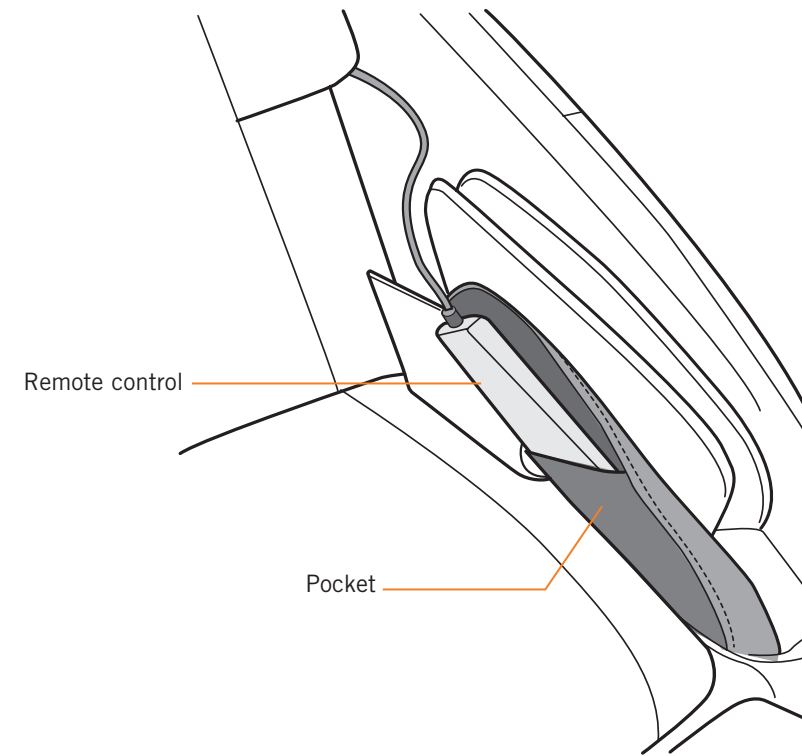


Fig.12

12. Plug in the chair, then turn the power switch to On (Fig.11).

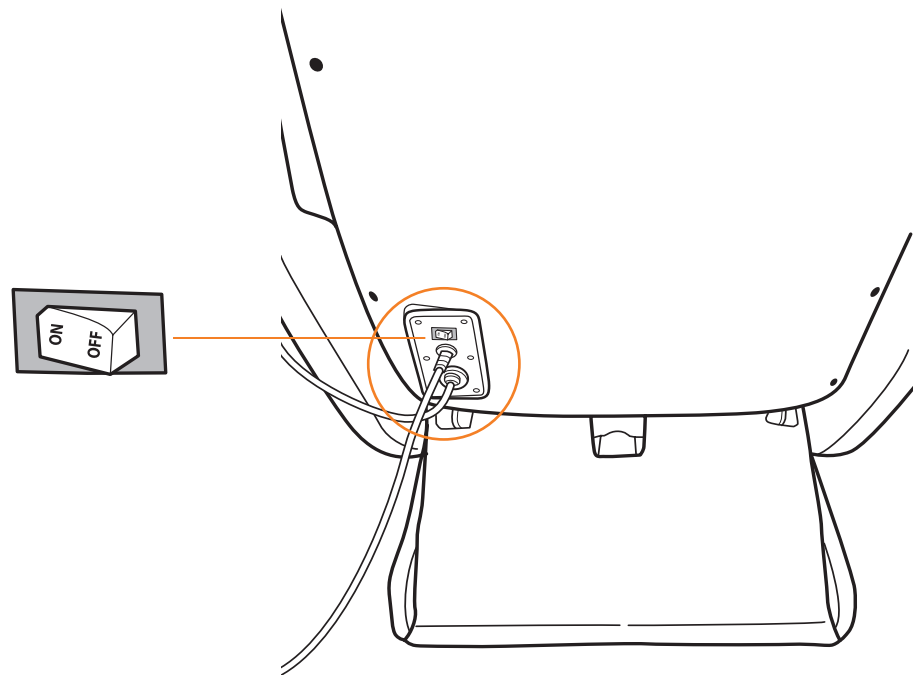


Fig.11

take a seat

1. Use the Recline  button on the remote control to recline the chair to the desired position (Fig.13).



Fig.13

2. Push outward with your feet to extend the footrest to a comfortable position (Fig.14)

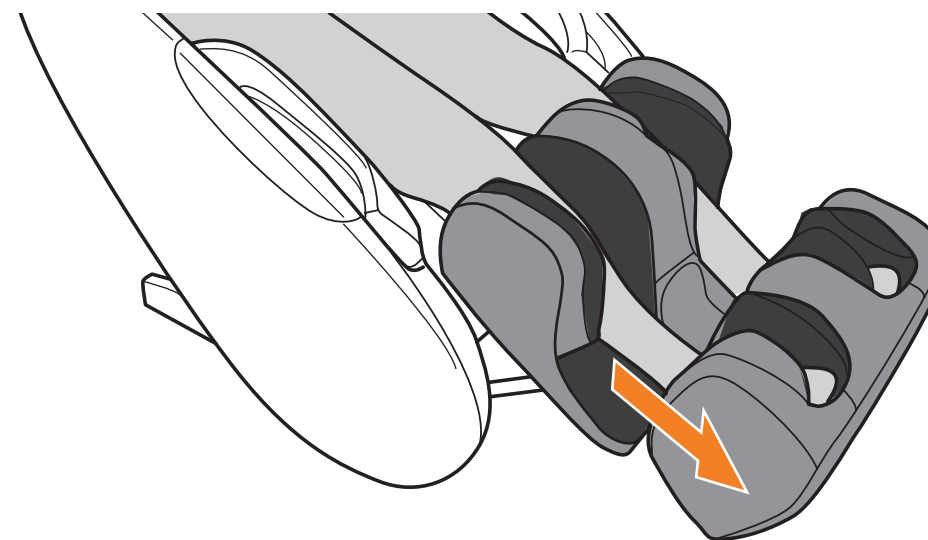


Fig.14

take control



Human Touch Orbital
Massage Technology

Now choose a massage technique to suit your mood. Your iJOY Massage Chair lets you customize your massage using a wide variety of massage techniques. Choose from three stationary massage techniques and a rolling massage or select one of the three auto massage programs and let the chair take control. Add foot and calf, seat, arm or shoulder air to any manual massage, or enjoy an air massage on its own. No matter how you use it, your iJOY massage chair offers maximum massage flexibility and refreshing benefits.

Stop/Park — Stops the massage and returns the massage mechanism to the top of the backrest.

Full body / Shoulder / Low back — Three focused auto massage programs automatically massage you for 15 minutes each, using a variety of massage modes. The corresponding LED lights to indicate which massage mode is currently in use.

Position — During a manual massage, adjusts the massage mechanism position to the desired location.

Width — Focus or diffuse massage pressure during a Glide massage. Select the width setting after selecting Glide.

⦿ The iJoy Massage Chair automatically limits your massage to an ideal 15-minute interval. To restart, simply re-select your favorite massage setting.



Stop — Immediately stops the massage.





Range — After starting a massage, select from five vertical massage ranges.

Power Recline — Press and hold to recline/incline the chair.

Air Massage — Select any or all of the four air massage zones. The air massage alternates between the selected zones. You can also adjust the foot and calf massage intensity.

⦿ When you're not using the remote, store it in the convenient pocket on the left side of the seat cushion, so it's out of the way.

Understanding Targeted Benefits

Targeted Benefit	What It Does	Benefits
Kneading	Kneads your back in a small, circular motion on both sides of your spine simultaneously. 	Relieves tension and soreness by lifting and stretching muscles. Improves circulation and helps bring vital nutrients to the spinal area.
Percussion	Alternates rapid-tapping strokes along the spine to stimulate both spinal muscles and spinal joint areas, emulating the percussive massage technique used in sports medicine for deep muscle therapy. 	Flexes spinal joints and relieves pressure on the spinal column, invigorating the entire back area.
Knd + Prc	Combines circular kneading motion with rapid-tapping percussion strokes. 	Relieves muscle tension and spinal pressure, improves circulation and invigorates the back, all at once.
Glide Full/Zone	Rolls gently up and down your back near your spine. Select Glide Full to massage your whole back; select Glide Zone to focus your massage on a six-inch zone. Use the Position buttons to move the massage zone to the desired position on your back. 	Warms and loosens your muscles, preparing your back for deeper massage. Relieves muscle tension, improves circulation and relaxes the back.

care and maintenance

To keep your product working and looking its best, please follow these simple care guidelines.

WARNING:

1. Be sure to disconnect the power cord from the electrical outlet before cleaning.
2. When cleaning the remote control or power switch, use a dry cloth only. Never use a damp cloth to clean any electrical component.

CAUTION:

1. Be sure to test any cleaning solution on a small, inconspicuous part of the product to ensure that the color does not fade prior to using the solution on the entire product surface.
2. Do not use benzene, thinner or any other solvents on your product.

Cleaning Code Standard for SofHyde or Cloth: W

To maintain your Human Touch product in optimum condition, dust it frequently and/or vacuum it with a soft brush vacuum extension. If your product becomes dirty, use a water-based upholstery cleaner only. To treat stains, spot clean with an upholstery shampoo or a mild detergent foam.

Maintenance and Repair:

1. The mechanics of this product are specially designed and constructed to be maintenance free. No periodic lubrication or servicing is required.
2. Your chair should only be serviced by a Human Touch-authorized service representative.

Use and Storage Environment:

1. Do not place the chair in direct or reflected sunlight, as ultraviolet rays will quickly fade the upholstery color and cause SofHyde upholstery to rapidly deteriorate.
2. Operate your chair in a room temperature between 41 and 104 degrees Fahrenheit (5 to 40 degrees Celsius) with humidity levels of 10% to 70% (non-condensing) to avoid damage.
3. To prevent damage to the upholstery, before sitting in your chair make sure there are no sharp objects in your pockets and no metal buttons or zippers that can come in contact with the chair.
4. Do not place the chair where excessive dust and pet hair can migrate into the chair's electrical and mechanical components; this can cause malfunction over time.
5. When not in use for a long period of time, we recommend that the chair be covered, the power cord be coiled, and that the unit be placed in an environment free of dust and moisture.
6. Store your chair in a room temperature between 5 and 122 degrees Fahrenheit (-15 to 50 degrees Celsius) with humidity levels of 10% to 70% (non-condensing) to avoid damage; product stored in cold temperatures may require 48 hours at room temperature to function properly.
7. Do not store near open heat or flame.

having trouble?

Your massage chair is a sophisticated combination of mechanics, electronics, and software working together to give you the ultimate massage. With such complexity comes opportunity for what we like to call massage chair "confusion." So, should your massage chair exhibit any abnormal behavior, please do the following to fully reset the chair:

1. Turn the chair's power switch (on the rear of the chair) to Off.
2. Unplug the chair from the power source.
3. Wait 30 seconds.
4. Plug the chair back into the power source, then turn the power switch back On.

If your chair has no power:

1. Check the power cord - Make sure the power cord connection to the chair is secure and that the power cord is not damaged.
2. Check the wall outlet - Plug a known working device into the outlet to ensure the outlet is working.

Just like with any other electronics, this simple reset sequence will resolve many issues. If, however, your issue remains, please do the following before contacting our customer experience team (this will help us help you much more quickly):

1. Locate the serial number on label on the back of your chair and write it down.
2. Locate your proof of purchase, as we will need it to process any warranty claim.
3. Write down the specific steps you took before experiencing the problem. For example: "I sat down in the chair, pressed recline, then I heard a loud noise that is not normal."
4. Now you're ready to contact us!

Contact our Customer Experience team at **800-355-2762**,
Monday – Thursday 7 AM to 4:30 PM PST, Friday 7 AM to 3:30 PM
or email us at: csadmin@humantouch.com

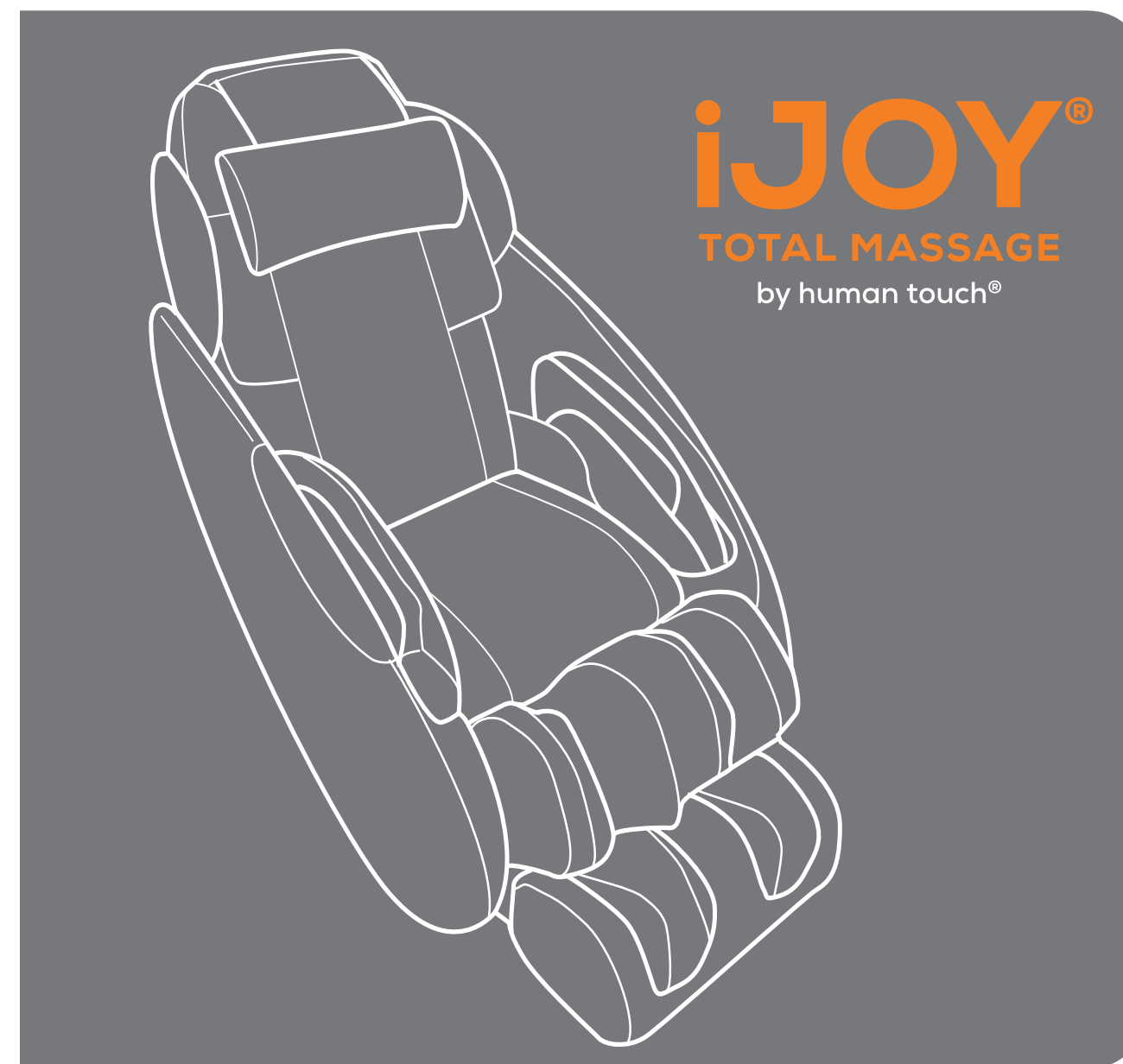
Specifications*

Operating Voltage:	AC110-120V 60 Hz
Power Consumption:	0.7A
Chair Size (upright):	47" L x 30" W x 44" H
Chair Size (reclined):	61" L x 30" W x 34" H
Product Weight:	95 Lbs.
Required Recline Clearance:	11"
Maximum Load Weight:	285 Lbs.

**Specifications are subject to change without prior notice.*



humantouch.com
800.355.2762



mode d'emploi et
d'entretien

FRANÇAIS

Enregistrez votre produit **EN LIGNE** dès maintenant

www.humantouch.com/register

Enregistrez votre produit **EN LIGNE** dès maintenant

www.humantouch.com/register



soyez à votre meilleur. **sentez-vous à votre meilleur.**^{MC}

Grâce à une expérience de plus de quatre décennies, Human Touch s'est établi comme un chef de file de l'industrie en changeant la vie de ses clients grâce à des produits et services qui les aident à se sentir mieux, à performer davantage et à être à leur meilleur. Élaborés en collaboration avec des experts du domaine médical et de l'industrie, nous offrons des produits qui allient une technologie brevetée, le savoir-faire et une ergonomie intelligente avec une conception supérieure : le soulagement thérapeutique pour tous.

Nos fauteuils de massage, nos fauteuils inclinables Perfect Chair^{MD} et notre gamme de solutions innovantes possèdent tous les mêmes attributs en matière de convivialité, de souci de la performance et de la qualité, en plus d'une conception qui s'adapte à la plupart des modes de vie. Ces qualités sont très appréciées de nos clients et nous valent de nombreuses reconnaissances et de nombreux prix dans l'industrie. Ainsi, Human Touch permet aux gens de vivre en meilleure santé, avec plus de vitalité, que ce soit au niveau professionnel ou personnel, au quotidien. Alors que de plus en plus de gens prennent conscience des bienfaits du mieux-être, Human Touch élargit son leadership de marque et offre des solutions dont tous peuvent profiter.

humantouch.com



Fièrement commandité par :

WORLD FEDERATION OF
CHIROPRACTIC

Enregistrez votre produit à www.humantouch.com pour que votre produit figure dans notre système, ce qui simplifiera le processus de la garantie, si jamais vous en aviez besoin.

©2020 Human Touch^{MD}, LLC. Brevets en instance et droits de propriété intellectuelle en vigueur.
Aucune garantie quant aux bénéfices médicaux de ce produit n'est offerte, qu'elle soit expresse ou implicite.
Human Touch est une marque de commerce de Human Touch^{MD}, LLC.

iJOY[®]
TOTAL MASSAGE
by human touch[®]

Bienvenue dans le monde d'iJOY[®] par Human Touch[®]

Souhaitez la bienvenue à ce bonheur intégral pour le corps qui vous laissera détendu, revigoré et rajeuni. Le iJOY Total Massage par Human Touch offre la technologie avancée FlexGlide[®] 360 qui simule les techniques expertes appliquées par les massothérapeutes professionnels. Le dispositif de massage qui couvre l'ensemble des jambes et des pieds est complété par une expérience de massage de la tête aux pieds comprenant un massage à l'air apaisant que vous pouvez aussi sentir sur les épaules, les bras et le siège. C'est exactement là où vous souhaitez être après une longue journée ou une séance d'exercice intense ou simplement lorsque vous avez besoin d'un moment pour vous-même.

Afin de bénéficier du plein potentiel de toutes les caractéristiques de votre fauteuil, et afin de vous assurer que vous en faites un usage sécuritaire, lisez ce guide attentivement. Puis, asseyez-vous et détendez-vous dans le iJoy Total Massage, un fauteuil de massage élégant qui constitue l'ajout idéal à votre salon.

consignes de sécurité

CONSIGNES DE SÉCURITÉ IMPORTANTES

Lorsque vous utilisez un appareil électrique, vous devez toujours suivre les précautions de base suivantes :

Lisez toutes les instructions avant d'utiliser cet appareil.



DANGER: AFIN DE RÉDUIRE LES RISQUES D'ÉLECTROCUTION :

Débranchez toujours cet appareil de l'alimentation électrique dès que vous avez fini de l'employer et avant de le nettoyer.



MISE EN GARDE : POUR RÉDUIRE LE RISQUE DE BRÛLURE, DE DÉCHARGE ÉLECTRIQUE ET D'INCENDIE, CE PRODUIT DOIT ÊTRE UTILISÉ CONFORMÉMENT AUX INSTRUCTIONS SUIVANTES :

- Tenez vos mains et vos doigts éloignés du mécanisme de massage et des rouleaux lorsqu'ils sont en marche. Si vous touchez au mécanisme, les rouleaux risquent de se comprimer et de vous blesser.
- Si le cordon d'alimentation est endommagé, il doit être remplacé par le fabricant, son représentant de service ou un technicien qualifié afin d'éviter tout danger.
- Un appareil ne devrait jamais être laissé sans surveillance lorsqu'il est branché. Débranchez l'appareil de l'alimentation lorsque vous ne l'employez pas et avant d'y insérer ou d'en retirer des pièces.
- Ne faites pas fonctionner cet appareil une couverture ou sous un oreiller. Une surchauffe pourrait survenir et causer un incendie, une électrocution ou des blessures.
- Une surveillance étroite est nécessaire lorsque ce fauteuil est employé près ou par des enfants ou des personnes handicapées. Gardez les enfants à l'abri du repose-pied déployé (ou autres pièces semblables).
- Employez ce fauteuil à ce pour quoi il a été conçu, tel que décrit dans ce guide. Employez uniquement les accessoires recommandés par le fabricant.
- N'employez jamais ce produit si son cordon ou sa fiche d'alimentation sont endommagés, s'il ne fonctionne pas correctement, s'il a été échappé ou endommagé ou s'il a été immergé. Retournez ce fauteuil à un centre de service pour examen et réparation.
- Ne transportez pas cet appareil en tirant sur son cordon d'alimentation. N'utilisez pas le cordon d'alimentation comme une poignée.
- Éloignez toujours le cordon d'alimentation de toute source de chaleur.
- Ne faites jamais fonctionner ce fauteuil si ses trappes d'aération sont obstruées. Maintenez les trappes d'aération exemptes de peluche, de cheveux et de substances semblables.
- N'échappez ni n'insérez jamais aucun objet dans aucune ouverture.
- N'employez pas ce fauteuil à l'extérieur.
- Ne faites pas fonctionner dans un endroit où on utilise des produits à bombe aérosol (vaporisateur) ou dans un endroit où de l'oxygène est administré.
- Pour débrancher, mettez toutes les commandes à la position O (arrêt) et retirez la fiche de la prise.
- Ne massez aucune partie du corps qui soit enflée, enflammée ou présentant des éruptions.
- Ne massez pas vos jambes si vous souffrez de douleurs idiopathiques.
- N'employez pas cet appareil sur une surface humide ou lorsqu'une partie de votre corps est en contact avec une structure de plomberie ou autre structure similaire.
- Ne branchez cet appareil qu'à une prise correctement mise à la terre. Consultez les INSTRUCTIONS DE MISE À LA TERRE.
- Utilisez les surfaces chauffantes avec précaution. Elles présentent un risque de brûlures graves. N'utilisez pas cet appareil sur une zone épidermique sensible ou si vous souffrez de mauvaise circulation sanguine. Ce produit peut être dangereux s'il est utilisé sans surveillance par des enfants ou des personnes handicapées.
- N'employez pas ce fauteuil s'il émet un bruit plus élevé que le son normal.
- Ne vous mettez pas debout sur ou dans l'appareil. N'utilisez cet appareil qu'en position assise.
- Cet appareil n'a pas été conçu pour être utilisé par des personnes (incluant les enfants) dont les facultés physiques, sensibles ou mentales sont réduites, ou qui n'ont pas assez d'expérience ou de connaissances, à moins d'être supervisés ou formé quant à l'utilisation de l'appareil par la personne en charge de leur sécurité. Les enfants doivent être surveillés pour veiller à ce qu'ils ne jouent pas avec l'appareil.

Consignes de sécurité

- Nous recommandons le port de vêtements confortables pour l'emploi de ce produit.
- Une position détendue est nécessaire afin de bénéficier des avantages de ce fauteuil. Ne mettez jamais de pression sur aucune partie de votre corps reposant sur le dossier lorsque que les rouleaux sont en mouvement.
- Si vous éprouvez un inconfort anormal lorsque vous employez ce produit, éteignez-le immédiatement et cessez son emploi. Consultez votre médecin.
- Ne vous assoyez pas sur le système de commande.
- Ne tirez pas sur le cordon d'alimentation.
- Si vous employez ce produit après une période de rangement prolongée, vérifiez son bon fonctionnement au préalable.
- Assurez-vous toujours qu'aucun obstacle ne se trouve derrière le fauteuil. Assurez-vous de disposer d'un espace suffisant pour incliner le fauteuil.

CONSERVEZ CE MODE D'EMPLOI

Ne réparez pas ce fauteuil vous-même.

Ce fauteuil est conçu pour un usage personnel au foyer. Tout usage à des fins commerciales annulera la garantie.

Consignes de mise à la terre :

Ce fauteuil doit être branché sur un circuit avec mise à la terre. En cas de mauvais fonctionnement ou de bris, la mise à la terre réduit le risque d'électrocution en permettant au courant électrique d'emprunter le chemin offrant le moins de résistance. Ce fauteuil est pourvu d'un cordon d'alimentation doté d'un conducteur et d'une fiche de mise à la terre. La fiche doit être branchée dans une prise correctement installée et mise à la terre conformément aux ordonnances et aux codes locaux.

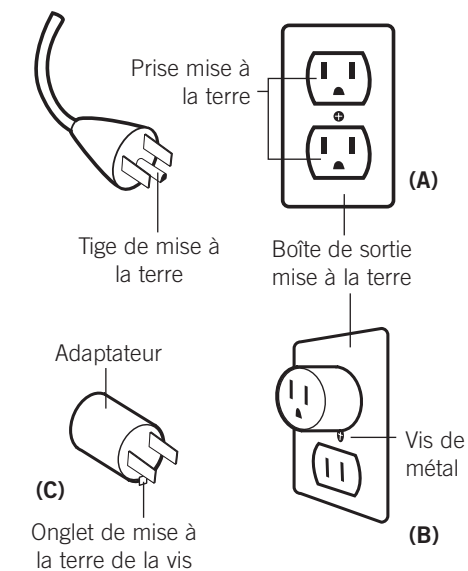


DANGER : Un branchement inadéquat du conducteur de mise à la terre entraîne un risque d'électrocution. Consultez un électricien ou un technicien qualifié si vous n'êtes pas certain que ce fauteuil soit correctement mis à la terre. Ne modifiez pas la fiche accompagnant le fauteuil – si elle ne s'insère pas dans la prise, faites installer une prise appropriée par un électricien qualifié.

Ce fauteuil convient à un circuit de courant nominal de 120 volts. Il est doté d'une fiche de mise à la terre semblable à celle illustrée sur la figure A. Au cas où une prise correctement mise à la terre ne serait pas disponible, un adaptateur temporaire, semblable à celui illustré sur les figures B et C, peut être employé pour brancher cette fiche à une prise de courant à deux trous, tel qu'illustré sur la figure B. L'adaptateur temporaire ne doit être employé que le temps qu'il faudra à faire installer une prise correctement mise à la terre (figure A) par un électricien qualifié. L'onglet rigide de couleur verte sortant de l'adaptateur doit être branché à une prise permanente, telle un couvercle de boîte de sortie correctement mise à la terre. L'adaptateur doit être retenu par une vis de métal.

Pour tous les produits dotés d'un cordon d'alimentation mis à la terre :

Méthodes de mise à la terre :



L'utilisation d'un adaptateur temporaire est interdite au Canada.



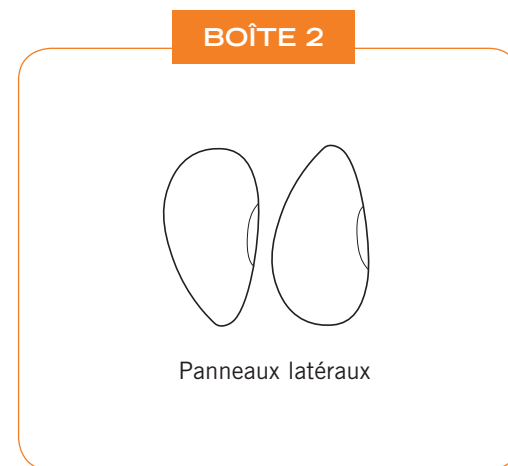
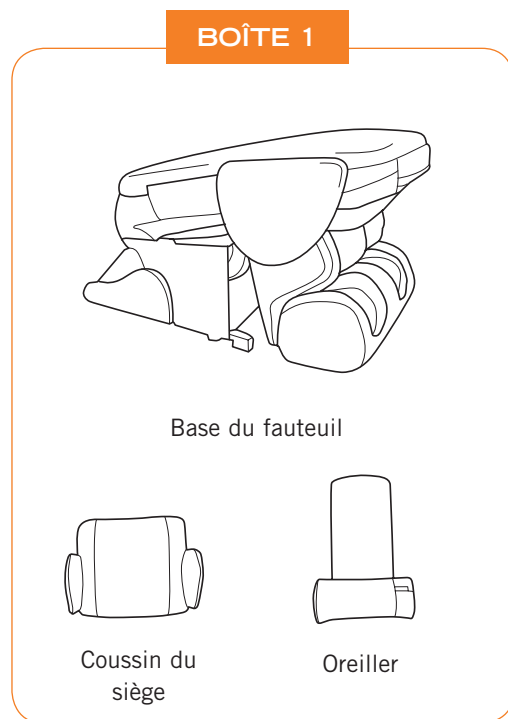
Cet appareil est conforme à la Partie 15 du règlement de la FCC. L'utilisation de l'appareil est assujettie aux deux conditions suivantes : (1) Cet appareil peut causer des interférences nuisibles, et (2) il doit accepter toute interférence reçue, y compris les interférences qui pourraient causer un fonctionnement indésirable.



MISE EN GARDE : Ce fauteuil est doté d'un dispositif de réinitialisation thermique de protection. Il s'agit d'une caractéristique de sécurité supplémentaire installée afin de vous protéger contre la surchauffe du fauteuil. Si le fauteuil s'arrête soudainement et que vous ne pouvez le remettre en marche, mettez le bouton d'alimentation générale, situé à l'arrière du fauteuil, à la position d'arrêt. Attendez au moins 30 minutes avant de le remettre en marche. Si vous n'éteignez pas le fauteuil, il pourrait se remettre en marche inopinément une fois le dispositif refroidi.

préparez-vous

Déballez les boîtes



Votre fauteuil iJoy Total Massage nécessite la réalisation d'un assemblage simple. Il vous suffit d'installer les panneaux latéraux, de fixer le coussin de siège, de placer l'oreiller et voilà!

2. Alignez la tige à la base d'un des panneaux latéraux avec le trou correspondant sur la base du fauteuil (Fig. 2).

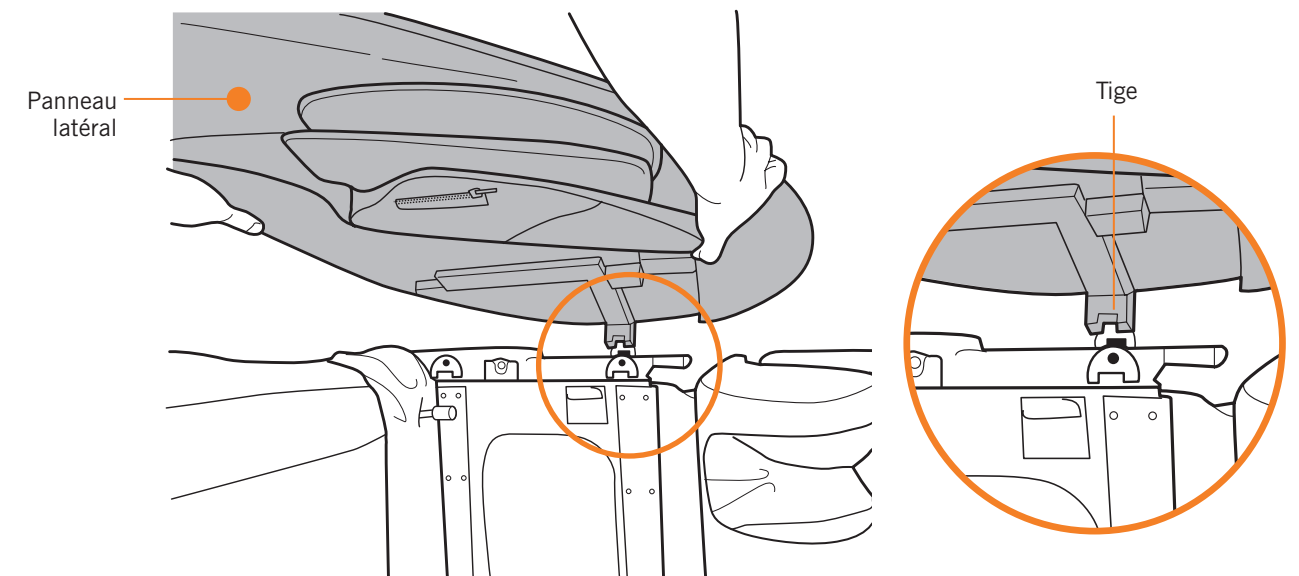


Fig.2

3. Alignez les trois tiges au centre du panneau latéral avec les trous correspondant sur la base de fauteuil (Fig. 3.)

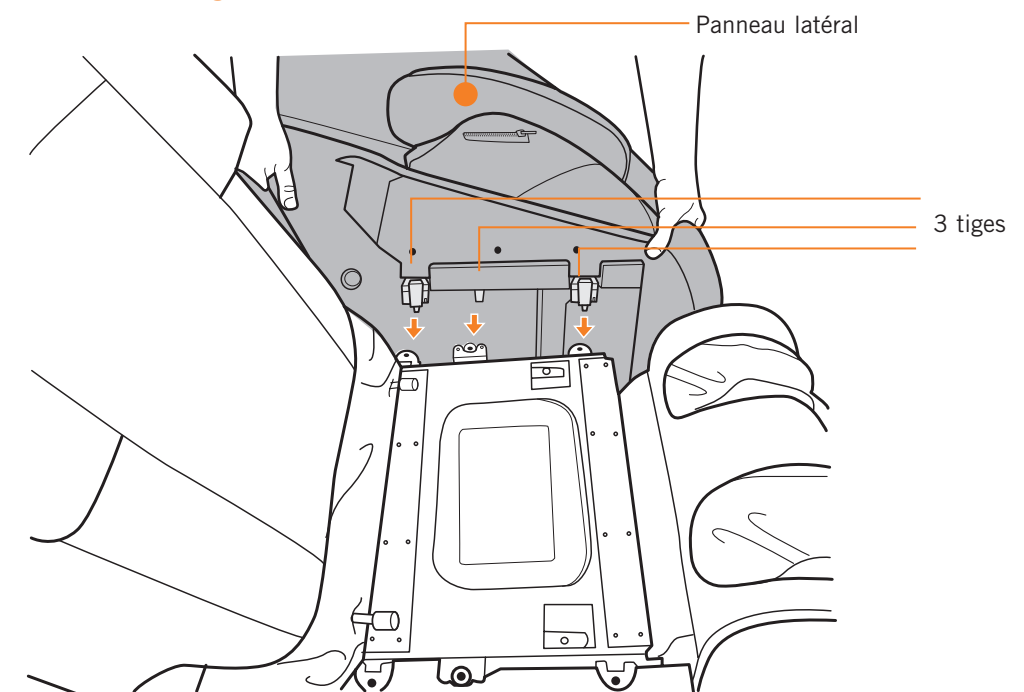
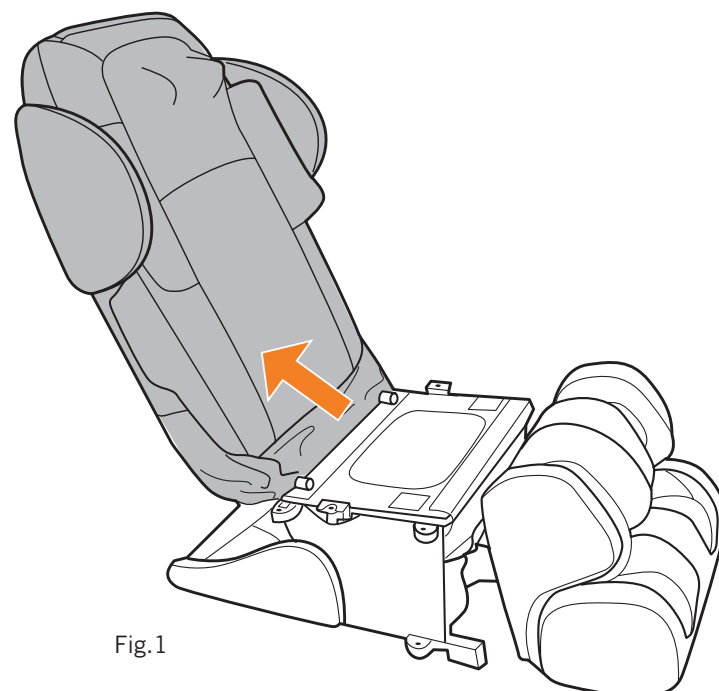


Fig.3

1. Soulevez le dossier en position relevée (Fig. 1).



4. Poussez fermement sur le panneau latéral pour le fixer (Fig. 4).

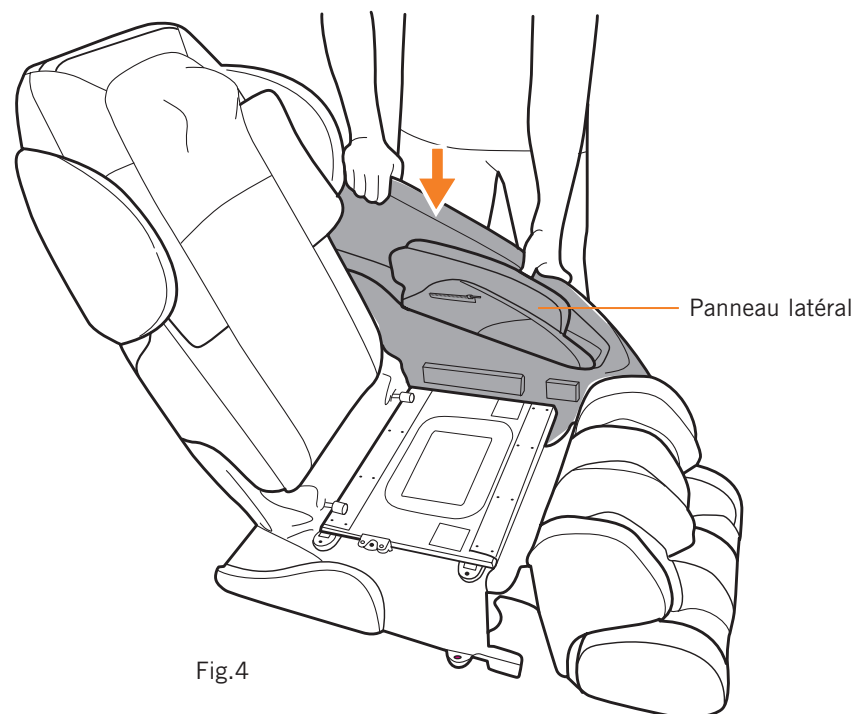


Fig.4

5. Répétez les étapes 2 à 4 pour installer le panneau de l'autre côté (Fig. 5).

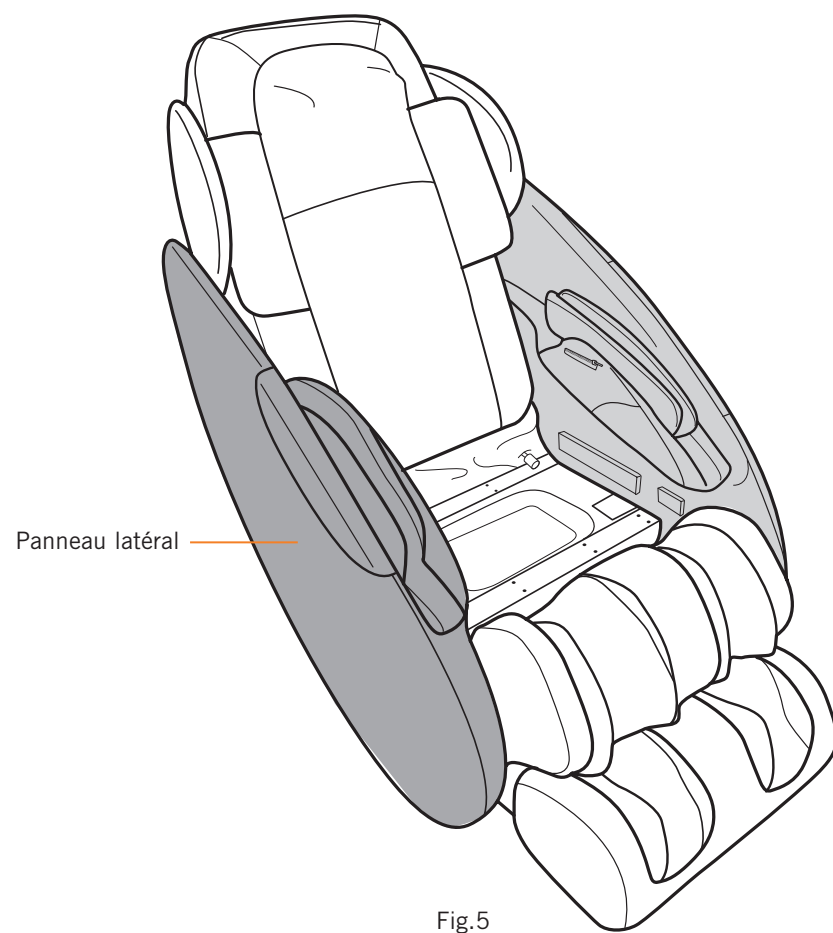


Fig.5

6. Pressez les deux côtés du coussin de siège ensemble pour réduire sa largeur, puis placez-le sur le siège du fauteuil (Fig. 6).

7. Branchez les deux conduites d'air aux conduites d'air correspondantes sur la base du fauteuil (Fig. 6).

IMPORTANT: Poussez les deux côtés du raccord de conduite fermement ensemble pour vous assurer que le raccord est solidement en place.

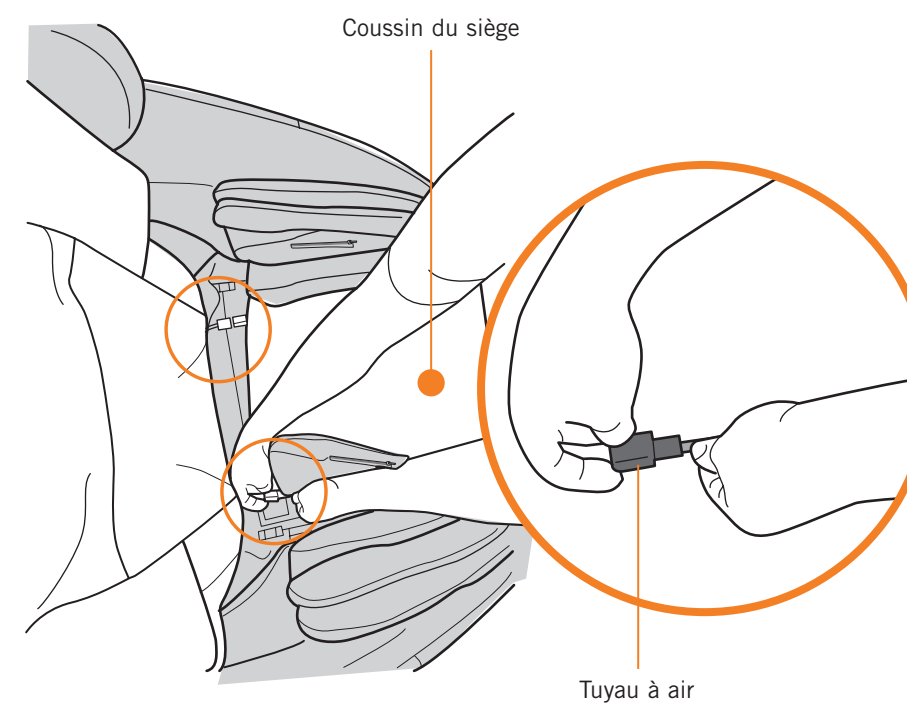
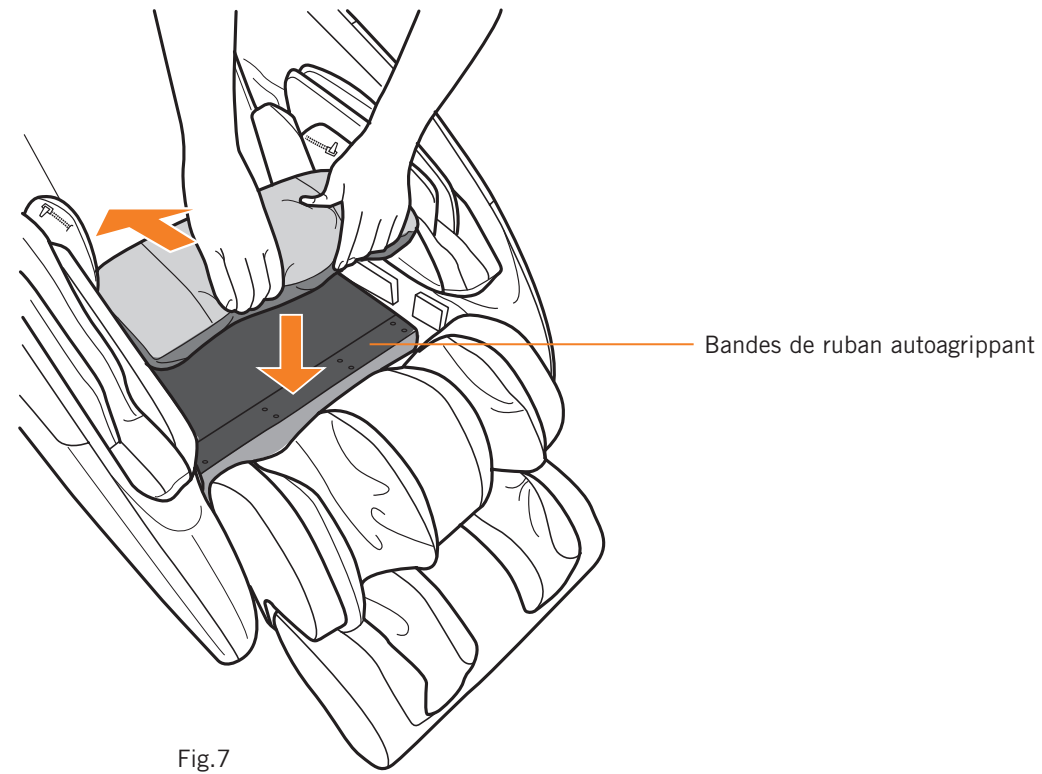
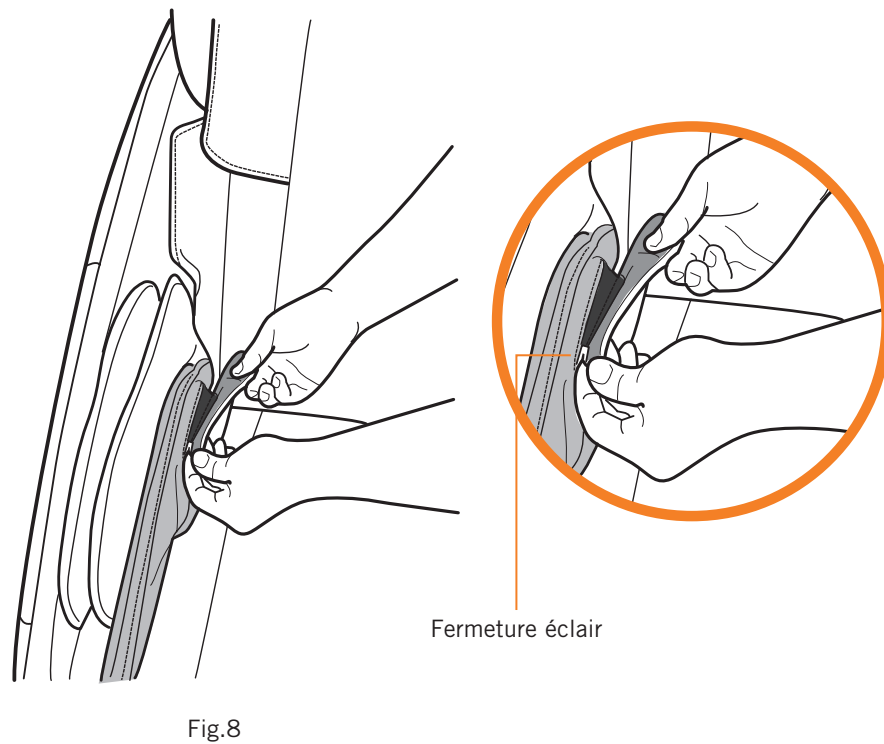


Fig.6

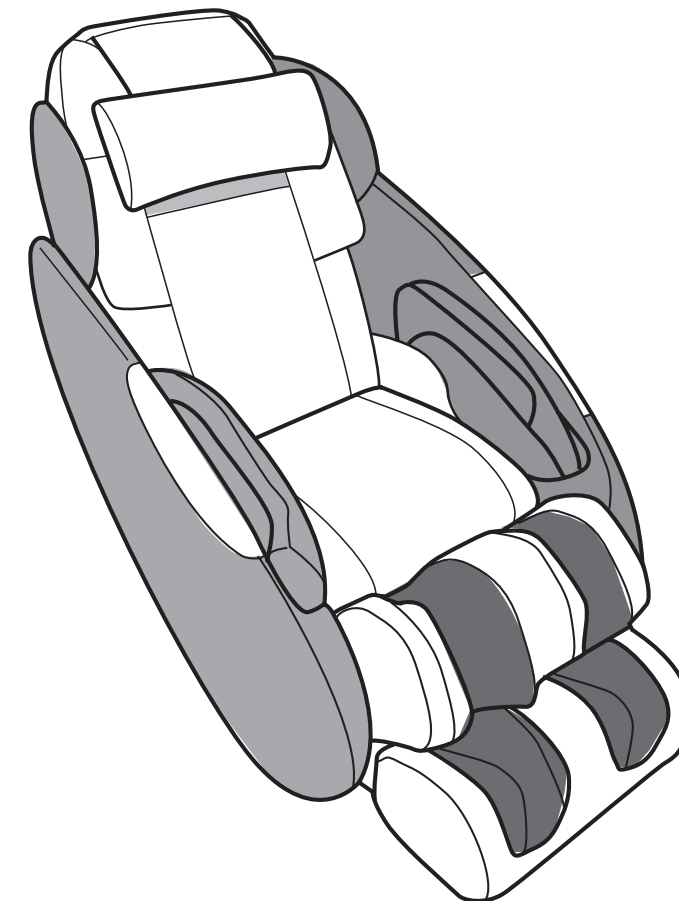
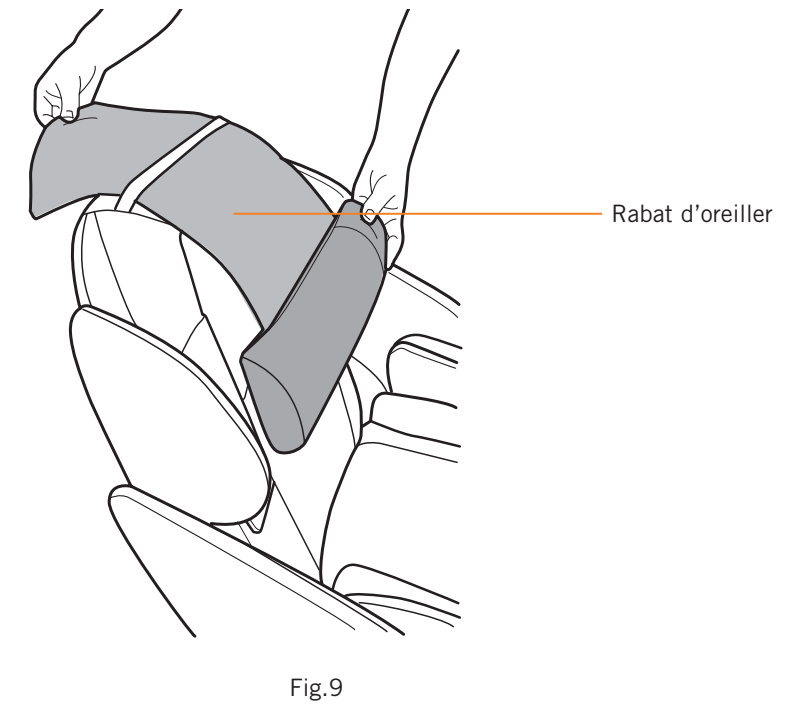
8. Faites glisser le coussin aussi loin que possible vers l'arrière, puis appuyez dessus pour le fixer solidement en place; le coussin est fixé à l'aide d'une attache autoagrippante (Fig. 7).



9. Fermez la fermeture à glissière de chaque côté du panneau latéral de fauteuil (Fig. 8).



10. Faites glisser le rabat d'oreiller à travers la courroie de retenue, à partir de l'avant, puis ajustez l'oreiller à la hauteur souhaitée (Fig. 9).



11. Fixez le câble de télécommande sur le côté du fauteuil en utilisant le guide de câble (Fig. 10).

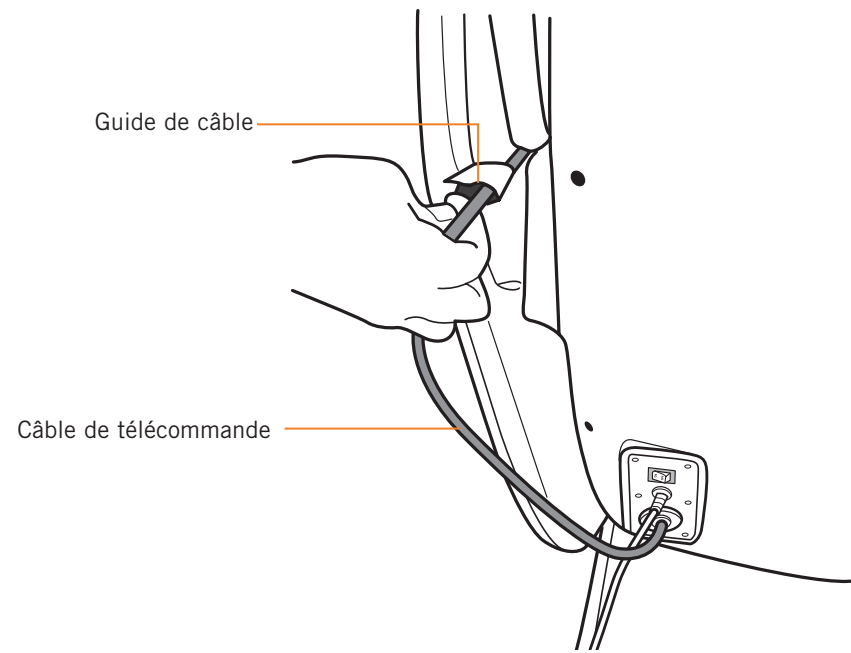


Fig.10

12. Branchez le fauteuil, puis mettez l'interrupteur en position On (marche) (Fig. 11).

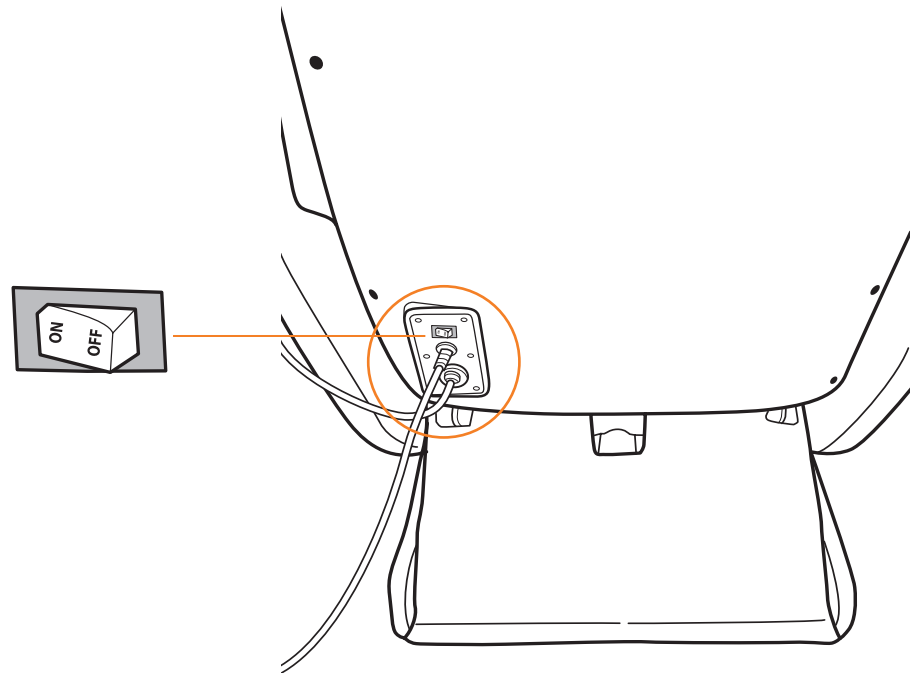


Fig.11

13. Insérez la télécommande dans la poche pour télécommande située dans le panneau gauche (Fig. 12).

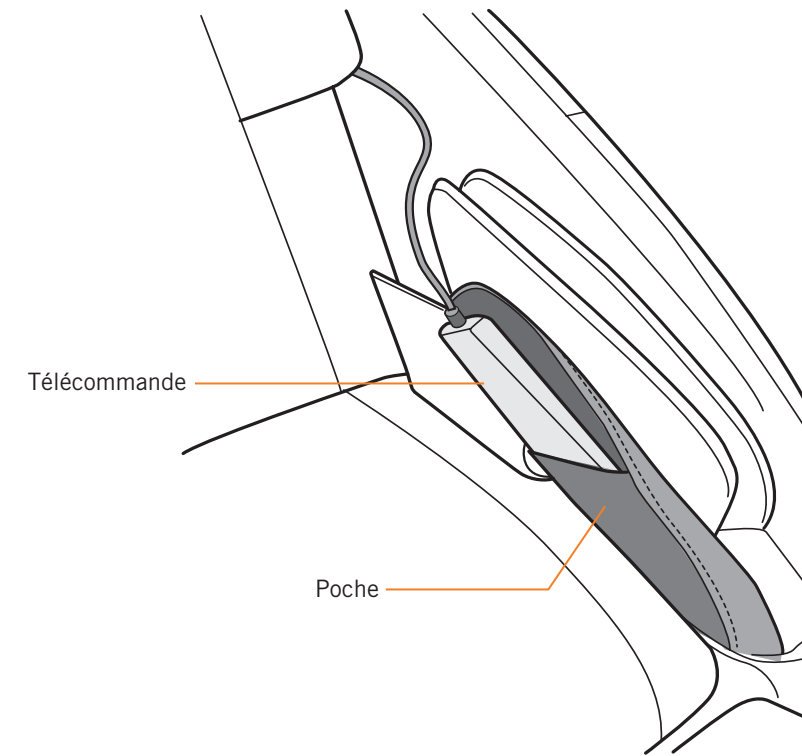


Fig.12

prenez place

1. Utilisez le bouton d'inclinaison  de la télécommande pour incliner le fauteuil à la position souhaitée (Fig. 13).

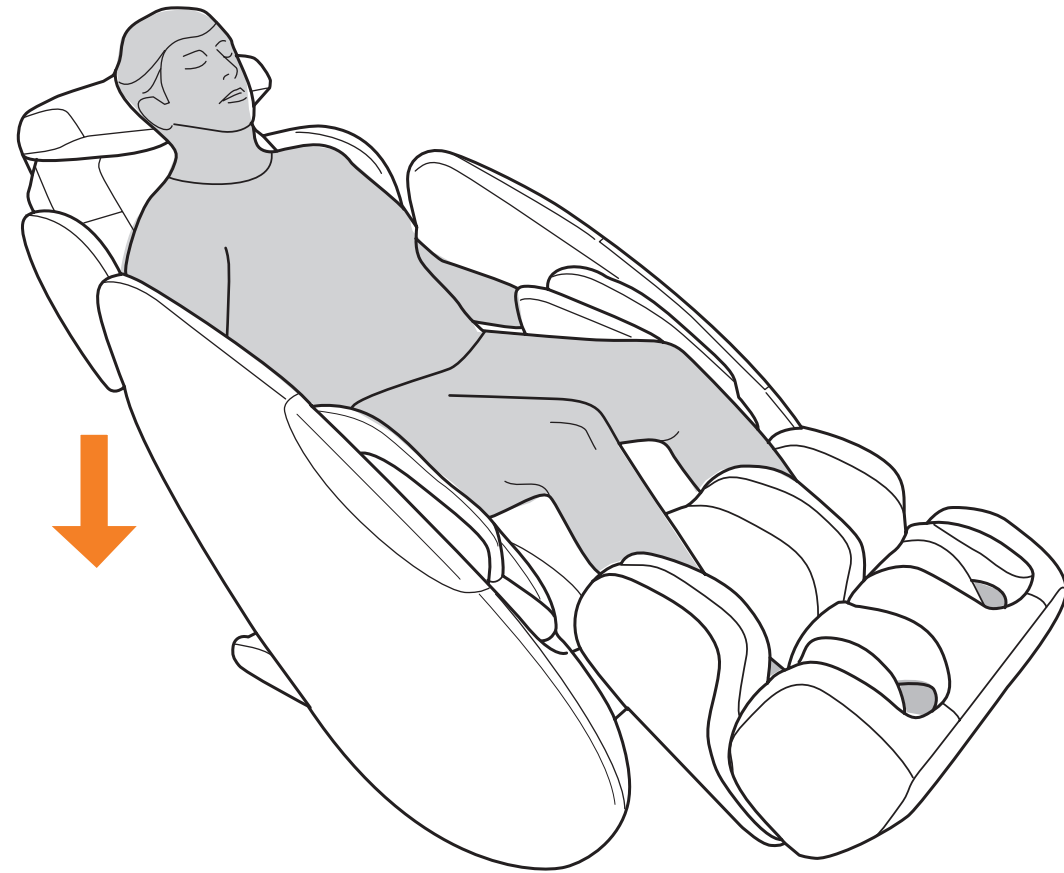


Fig.13

2. Poussez vers l'extérieur avec vos pieds pour déployer le repose-pieds à une position confortable (Fig. 14).

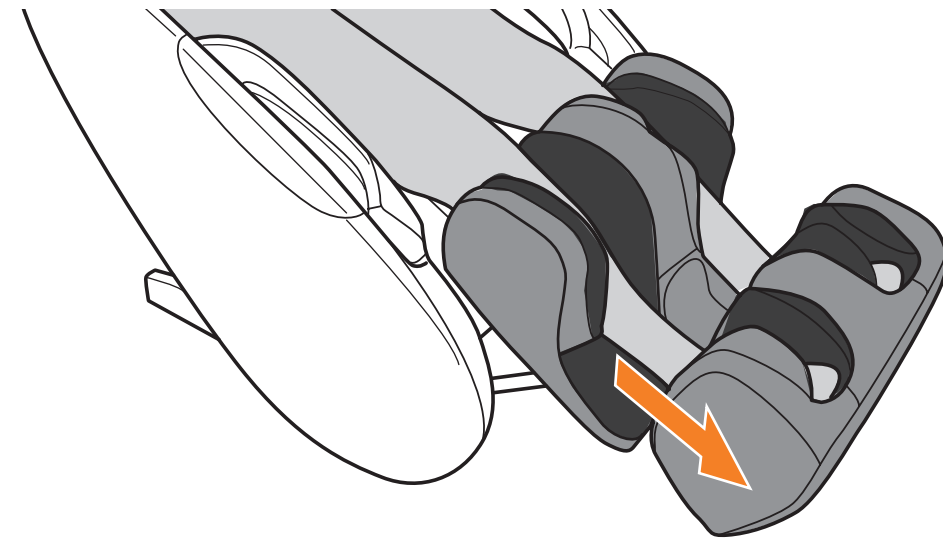


Fig.14

prenez les commandes



Technologie de massage orbital Human Touch

Choisissez maintenant une technique de massage convenant à votre état d'esprit. Votre fauteuil iJoy Total Massage vous permet de personnaliser votre massage à l'aide d'une vaste gamme de techniques de massage. Faites votre choix parmi trois techniques de massage fixes et un massage par roulement ou sélectionnez l'un des trois programmes de massage automatiques et laissez le fauteuil prendre le contrôle. Vous pouvez ajouter de l'air aux pieds et aux jambes, aux bras ou aux épaules à n'importe quel massage manuel, ou profiter d'un massage à l'air seul. Peu importe comment vous l'utilisez, votre fauteuil de massage iJOY offre une polyvalence de massage et des avantages revigorants optimaux.

Arrêt — Arrête le massage et repositionne le mécanisme de massage dans le haut du dossier.

Full body / Shoulder / Low back (Tout le corps/Épaules/Bas du dos)

— Trois programmes ciblés vous procurent un massage automatique pendant 15 minutes en utilisant une variété de modes de massage. Les témoins à DEL correspondants indiquent le mode de massage en cours.

Position — Pendant un massage manuel, ajuste la position du mécanisme de massage à la position souhaitée.

Width (largeur) — Ciblez ou diffusez la pression d'un massage par glissement. Choisissez le réglage de la largeur après avoir sélectionné Glide (glissement).



Arrêt — Permet d'arrêter immédiatement le massage.





Portée — Après avoir démarré un massage, faites votre choix parmi cinq portées de massage vertical.

Inclinaison mécanique — Appuyez et maintenez enfoncé pour incliner/relever le fauteuil.

Massage à l'air — Sélectionnez une ou toutes les zones de massage à l'air. Le massage à l'air alterne entre les zones sélectionnées. Vous pouvez également régler l'intensité du massage des pieds et des jambes.

Lorsque vous n'utilisez pas la télécommande, rangez-la dans la poche pratique qui se trouve du côté gauche du coussin du siège de manière à ce qu'elle ne dérange pas.

Comprendre les avantages du ciblage

Avantages du ciblage	Ce qu'il fait	Avantages
Kneading (Pétrissage)	Votre dos est pétri par de petits mouvements circulaires appliqués de chaque côté de votre colonne vertébrale. 	Cette technique libère des tensions et des douleurs en soulevant et en étirant les muscles. Améliore la circulation sanguine en apportant les nutriments essentiels dans la zone de votre colonne vertébrale.
Percussion	Des tapotements rapides alternés le long de la colonne vertébrale stimulent les muscles et les articulations de la région lombaire. Ce massage reproduit la technique de massage à percussion employée en médecine sportive dans le cadre de thérapie musculaire en profondeur. 	Assouplit les articulations de la région lombaire et libère les pressions de la colonne vertébrale, revigorant tout le dos.
Knd + Prc (Pét. + Per.)	Combine un mouvement de pétrissage circulaire à de rapides tapotements en mode percussion. 	En même temps, soulage vos muscles de leur tension et élimine la pression des articulations, améliore la circulation sanguine et revigore votre dos.
Glide Full/Zone (glissement complet/ciblé)	Un roulement doux masse le long de votre dos, près de votre colonne vertébrale. Sélectionnez Glide Full (Glissement complet) pour obtenir un massage complet de votre dos; sélectionnez Glide Zone (Glissement ciblé) pour concentrer le massage sur une zone de six pouces. Utilisez les boutons Position pour déplacer la zone de massage à la position souhaitée sur votre dos. 	Réchauffe et relâche vos muscles, préparant votre dos pour un massage plus en profondeur. Ce massage relâche les tensions musculaires, améliore la circulation sanguine et détend le dos.

Le fauteuil iJoy Total Massage limite automatiquement votre massage à un intervalle idéal de 15 minutes. Pour redémarrer, choisissez à nouveau votre réglage de massage préféré.

soin et entretien

Afin de vous assurer que votre produit fonctionne bien et qu'il conserve une belle apparence, veuillez suivre ces consignes faciles d'entretien.

MISE EN GARDE :

1. Assurez-vous de déconnecter le cordon d'alimentation de la prise électrique avant de procéder au nettoyage. (Également indiqué sur la page sur la sécurité.)
2. Nettoyer le boîtier de commande et l'interrupteur à l'aide d'un linge sec seulement. Ne nettoyez jamais le système de commande ou le bouton d'alimentation à l'aide d'un linge humide.
3. Avant de procéder au nettoyage de toute la surface du produit à l'aide d'une solution nettoyante, veillez à en faire l'essai sur une petite portion camouflée du produit afin de vous assurer qu'elle n'entraîne pas de décoloration.
4. N'utilisez pas de benzène, de diluant ou de solvant pour nettoyer le produit.

Norme de nettoyage pour faux cuir ou chiffon : W

Pour maintenir votre produit Human Touch en état optimal, époussetez-le fréquemment ou passez-y l'aspirateur à l'aide d'une brosse douce. Seuls les nettoyeurs à l'eau pour meubles conviennent au nettoyage de ce produit. Pour traiter les taches, appliquez localement un shampoing pour meubles ou un détergent mousseux doux.

Entretien et réparation :

1. La mécanique de cet appareil a été conçue et construite afin de ne nécessiter aucun entretien. Aucune lubrification ni entretien périodique ne sont nécessaires. (texte spécifique non dicté par une réglementation)
2. Votre fauteuil doit être réparé par un représentant du service autorisé uniquement.

Environnement d'utilisation et de rangement :

1. Ne placez pas le fauteuil sous le rayonnement direct ou réfléchi du soleil, car les rayons ultraviolets terniront rapidement la couleur de la garniture et entraîneront la détérioration rapide de la garniture SoftHyde.
2. Pour éviter des dommages, utilisez votre fauteuil dans une température ambiante située entre 5 et 40 degrés Celsius (41 et 104 degrés Fahrenheit) avec une humidité relative de 10 à 70 % (sans condensation).
3. Pour éviter d'endommager la garniture, assurez-vous qu'il n'y a ni objet pointu dans vos poches ni boutons ou fermetures à glissière qui pourraient entrer en contact avec le fauteuil.
4. Ne placez pas le fauteuil là où une quantité excessive de poussière et de poils d'animaux pourraient migrer dans les composants électriques et mécaniques du fauteuil; ceci pourrait causer un dysfonctionnement avec le temps.
5. Lorsqu'il n'est pas utilisé pendant une période prolongée, nous recommandons de couvrir le fauteuil, d'enrouler le cordon d'alimentation et de placer l'unité dans un environnement exempt de poussière et d'humidité.
6. Pour éviter les dommages, entreposez votre fauteuil à une température ambiante entre -15 et 50 degrés Celsius (5 et 122 degrés Fahrenheit) avec des niveaux d'humidité de 10 à 70 % (sans condensation); un produit entreposé dans des températures froides pourrait avoir besoin de 48 heures à température ambiante pour fonctionner correctement.
7. N'entreposez pas le produit près d'un chauffage actif ou d'une flamme.

vous éprouvez des difficultés?

Votre fauteuil de massage est une combinaison sophistiquée d'éléments mécaniques, électroniques et logiciels fonctionnant conjointement pour vous procurer l'ultime massage. Une telle complexité peut donner lieu à ce que nous appelons la « confusion » du fauteuil de massage. Par conséquent, si votre fauteuil de massage devait présenter tout comportement anormal, veuillez procéder comme suit pour le réinitialiser :

1. Mettez l'interrupteur d'alimentation se trouvant à l'arrière du fauteuil en position d'arrêt (OFF).
2. Débranchez le fauteuil de la source d'alimentation.
3. Attendez 30 secondes.
4. Rebranchez le fauteuil dans la source d'alimentation, puis remettez l'interrupteur d'alimentation en position de marche (ON).

Si votre chaise n'a pas de pouvoir:

1. Vérifiez le cordon d'alimentation - Assurez-vous que le cordon d'alimentation du fauteuil est bien branché et qu'il n'est pas endommagé.
2. Vérifiez la prise murale - Branchez un appareil qui fonctionne dans la prise pour vous assurer que celle-ci fonctionne.

Comme pour n'importe quel appareil électronique, cette simple séquence de réinitialisation résoudra beaucoup de problèmes. Cependant, si le problème persiste, veuillez procéder comme suit avant de contacter notre équipe du service à la clientèle (ceci nous aidera à vous aider beaucoup plus rapidement) :

1. Repérez le numéro de série sur l'étiquette à l'arrière du fauteuil et prenez-le en note.
2. Trouvez votre preuve d'achat, car vous en aurez besoin pour traiter toute réclamation sous garantie.
3. Écrivez les étapes spécifiques que vous avez accomplies avant d'expérimenter le problème. Par exemple : « Je me suis assis dans le fauteuil, j'ai appuyé sur le bouton d'inclinaison, puis j'ai entendu un bruit sourd anormal. »
4. Vous êtes maintenant prêt à nous contacter!

Vous éprouvez des difficultés? Contactez notre équipe du service à la clientèle au **800-355-2762**, du lundi au jeudi de 7h à 16h30, le vendredi de 7h à 15h30 HNP ou à l'adresse courriel **csadmin@humantouch.com**

Fiche technique*	Tension de fonctionnement :	110 à 120 volts CA, 60 Hz
	Consommation d'énergie :	0,7 A
	Dimension de la chaise (dépliée) :	119 cm Lon. x 76 cm Lar. x 112 cm Hau.
	Dimensions du fauteuil (incliné) :	155 cm Lon. x 76 cm Lar. x 86 cm Hau.
	Poids du produit :	43 kg
	Dégagement d'inclinaison requis :	11 po
	Poids de charge maximal :	129,27 kg

**La fiche technique est sujette à modifications sans préavis.*