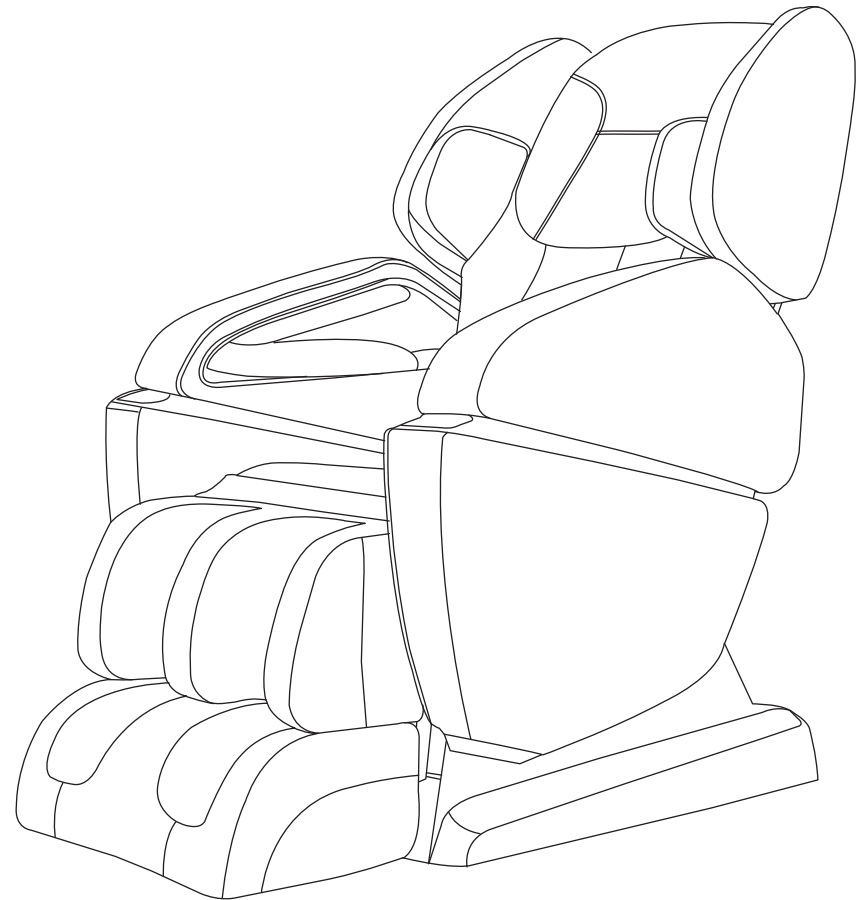


Please keep this manual for future reference.



Prelude Massage Chair

User's Manual



Infinity Massage Chairs
72 Stard Road
Seabrook, NH 03874
603-910-5000
www.infinitymassagechairs.com

Congratulations and thank you for trusting Infinity Massage Chairs. Combined with healthy eating, exercise, and a good sleep regimen, your massage chair is a great way to take care of your body and mind. This will lead to a happy, productive lifestyle.

Please read and follow all safety and operating instructions listed in this user manual prior to use. Basic precautions should always be used when operating an electrical appliance.

Contact Infinity Massage Chairs' Technical Support Team with any questions or concerns at 603-910-5000. Our dedicated specialists will be happy to assist you!

Please Note: We reserve the right to make changes to information published in this manual, including but not limited to, specifications and product descriptions. These changes may be made at any time and without notice. This manual supersedes and replaces all information supplied prior to the publication hereof.

Specifications

Model	Prelude
Dimension of Main Body (in)	52 x 32 x 48 (L x W X H)
Necessary Clearance to Wall (in)	20
Net Weight (lbs)	154
Shipping Weight (lbs)	180
Max. User Weight (lbs)	264
Voltage	120V 60 Hz
Fuse	3.15 AMP
Power Consumption	100W
Safety Standards	Type 1

Table of Contents

Preparation	Safety Precautions	2
	Massage Chair Parts	6

Usage & Maintenance	Installation & Placement Instructions.....	7
	Remote & Massage Chair Operation	9
	Bluetooth & Music Function	13
	Product Care & Storage	14

Additional Info.	Troubleshooting	15
	Specifications	16

IMPORTANT SAFETY INSTRUCTIONS

CAUTION

- TO REDUCE THE RISK OF ELECTRIC SHOCK, DO NOT REMOVE COVER. THERE ARE NO SERVICEABLE PARTS INSIDE.
- TO REDUCE RISK OF FIRE OR ELECTRIC SHOCK, DO NOT EXPOSE THE MASSAGE CHAIR TO RAIN OR MOISTURE.



This symbol indicates the presence of uninsulated “dangerous voltage” within the massage chair’s enclosure that may be of sufficient magnitude to constitute a risk of electric shock.



This symbol indicates the presence of important operating and maintenance instructions in the literature accompanying the massage chair.

This massage chair is intended for household use only.

When using an electrical appliance, basic precautions should always be followed.

Read all instructions before using this massage chair.

⚠ DANGER - To reduce the risk of electric shock:

1. Always unplug this massage chair from the electrical outlet immediately after using and before cleaning.
2. If liquid is accidentally spilled onto the chair, remove the power plug from the electrical outlet immediately. Do not use wet hands to connect or disconnect the power plug from the electrical outlet.
3. Do not operate during a lightning storm.
4. Although operation will be stopped automatically by the Auto Timer function, always remember to turn off the main power switch after use.
5. Do not place the power cord under the chair or under any other heavy objects.
6. Do not wind the power cord around the chair as this may damage the cord and result in a fire or electric shock.
7. Do not operate the chair with a damaged cord or with an extension cord.
8. Do not use the chair if the electrical outlet is loose.

If you encounter problems while operating your Prelude massage chair, try the suggestions below. If the issue(s) persist, flip the main power switch on the back of the chair to the Off position and remove the power plug from the outlet. Contact Infinity’s technical support team at 603-910-5000 for service.

Do not disassemble or attempt to repair the massage chair yourself. Doing so will void the warranty and Infinity will not bear any responsibility for any subsequent consequences.

Problem	Possible Cause/Solution
The massage chair is connected to a power source, but is not functioning.	<ul style="list-style-type: none"> • Check that the main power switch on the back of the chair is in the On position. • Check that the power plug is inserted properly and the power outlet is functioning properly. • Press the Power button on the remote. • Check the fuse next to the main switch in the back of the chair.
Sounds are coming from the massage mechanism.	It is normal for the motors to make noise while operating or rubbing against the backrest area.
No sound is coming from the speakers.	Ensure the volume on your device is turned up and the Bluetooth pairing was successful.
Backrest or legrest will not extend or retract.	There may be too much pressure placed on the backrest or legrest. Reduce the weight or pressure on the backrest or legrest.
The seat or legrest airbag is not working.	Check to see if there is an air tube blockage or if an air tube is pinched. If so, clear the air tube or straighten it out.

Storing the Massage Chair

- Disconnect the massage chair from the power source after use.
- Do not expose the massage chair to direct sunlight, high temperature, or high humidity. This could cause fading or other damage to the upholstery.
- Do not put heavy objects on the massage chair.
- If the outer cover is torn or the mechanism is damaged, stop using the chair and contact Infinity for assistance.

Cleaning the Massage Chair

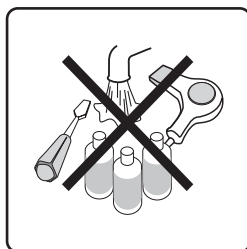
For the best effects when cleaning your massage chair, we recommend our Infinity Cleaning & Conditioning kit, which you can purchase at infinitymassagechairs.com.

If you do not have our cleaning kit, please follow the steps below to clean your massage chair:

- Remove the main plug from the outlet.
- Clean the synthetic leather, controller, cords with a dry cloth.
- If necessary, you can dampen a soft cloth with a neutral cleaning solution or water to clean the synthetic leather. Lysol wipes are another safe and easy way to clean this material. Then, wipe it with a dry cloth and let air dry.
- Any cloth material of the chair (e.g., the inside of the arm airbags or calf airbags) can be spot cleaned with a soft cloth dampened with a weak neutral detergent and gently clean where necessary. Avoid cleaning the fabric too often so as to avoid wear and tear.
- To clean any plastic parts of the chair (e.g., the base), use a soft cloth lightly soaked in a neutral detergent. Then, wipe again with a water-dampened cloth. Finally, wipe it with a clean, dry cloth.

Caution

- Do not immerse the chair in water.
- Never use scouring pads, abrasive cleaning agents (e.g., benzene or thinner), or harsh chemicals such as petroleum or acetone to clean the chair. Additionally, never use heat to dry the chair after cleaning. These items may cause fading or other damage to the upholstery.
- Any additional servicing should be performed by an authorized service representative. This chair has no user serviceable parts inside.



WARNING - To reduce the risk of burns, fire, electric shock, or injury:

1. This massage chair should never be left unattended when plugged in. Unplug from outlet when not in use, and before putting on or taking off parts.
2. Do not operate under blanket or pillow. Excessive heating can occur and cause fire, electric shock, or other injury.
3. Close supervision is necessary when this chair is used by or near children, pets, or disabled individuals. Keep children and pets away from extended foot support.
4. Use this massage chair only for its intended use as described in this manual. Do not use attachments not recommended by Infinity.
5. Never operate this massage chair if it has a damaged cord or plug, if it is not working properly, if it has been dropped or damaged, or if it has been damaged by water. Contact Infinity's technical support team at 603-910-5000 for assistance.
6. Do not move or carry this massage chair by the power cord, or use the cord as a handle.
7. Keep the cord away from heated surfaces.
8. Never operate the massage chair with the air openings blocked. Keep the air openings free of lint, hair, and other debris.
9. Never drop or insert any object into any opening.
10. Do not use outdoors.
11. Do not operate where aerosol (spray) products are being used, or where oxygen is being administered.
12. To disconnect, turn all controls to the OFF position, then remove the plug from the outlet.
13. Use heated surfaces carefully. May cause serious burns. Do not use over sensitive areas or on areas with poor circulation. The unattended use of heat by children or disabled individuals may be dangerous.
14. Never use pins or other metallic fasteners with this chair.
15. Never remove the cover from this chair. Do not use the chair when the upholstery is ripped, torn, or removed. This may cause injury or malfunction. Carefully examine the covering before each use. Call Infinity's technical support team if the covering shows any sign of deterioration, such as blistering, peeling, cracking, or ripping.
16. Keep dry. Do not operate the massage chair in a wet or moist environment. Do not use the chair when your body is wet, or operate with wet hands.
17. Do not use the massage chair while wearing excessively loose clothing or jewelry.
18. Keep long hair away from massage chair openings and moving parts during use.
19. Do not insert your hand or foot along the path of the massage rollers during use.
20. Any individual who is pregnant; uses a pacemaker; suffers from diabetes, phlebitis, and/or thrombosis; is at an increased risk of developing blood clots due to recent surgery; or is being treated or has been diagnosed with any other medical condition or physical injury should consult a physician before using this massage chair.
21. This massage chair is designed as a non-professional solution to help soothe tired, aching muscles. It is not intended for self-treatment of conditions that should be managed by a qualified healthcare provider. If your ailments and symptoms persist or worsen after use, contact your doctor immediately.

22. Do not use this chair if you are not feeling well.
23. Stop operation immediately if you experience any discomfort.
24. Do not fall asleep during the massage session.
25. Do not operate after consuming pain killers, sedatives, or alcohol.
26. Do not use this chair in combination with other therapeutic equipment or items such as an electric blanket, as this may result in ineffectiveness or injury.
27. Do not stand on or in this massage chair. Use only while seated.
28. Do not disassemble any part of the chair. Touching the internal components may result in malfunction or electric shock. Instead, contact Infinity's technical support team immediately for professional assistance.
29. Always position the massage chair on a flat, level surface.
30. Do not operate for more than 30 consecutive minutes. Turn off the chair and allow it to rest for 30 minutes before using again. This will prolong the life of the chair.
31. Do not perform continuous massage on the same spot of your body for more than 5 minutes at a time, as this may result in excessive stimulation and may have adverse effects.
32. Never use the chair on open skin wounds or swollen, inflamed areas.
33. Do not apply massage rollers directly on the head, elbow or knee joints, torso, or abdomen.
34. If the power goes off during use, be sure to turn the power switch to the OFF position and pull the power plug out from the outlet to prevent damage from occurring when the power is restored.

SAVE THESE INSTRUCTIONS

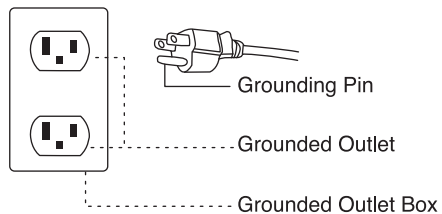
Grounding Instructions

This product must be grounded. If it should malfunction or break down, grounding provides a path of least resistance for the electric current to reduce the risk of electric shock.

This product is equipped with a cord with an equipment-grounding conductor and a grounding plug. The plug must be plugged into an appropriate outlet that is properly installed and grounded in accordance with all local codes and ordinances.

DANGER: Improper connection of the equipment-grounding conductor can result in a risk of electric shock.

Check with a qualified electrician or serviceperson if you are in doubt as to whether the product is properly grounded. Do not modify the plug provided with the product. If it does not fit the outlet, have a proper outlet installed by a qualified electrician.



Air Pressure Intensity Adjustment

Choose from three levels of intensity: Soft, Medium, and Strong.



Air Massage Zone Adjustment

Press once for foot air massage.
 Press twice for leg air massage.
 Press three times for leg and foot air massage.
 Press four times for arm air massage.
 Press five times for shoulder air massage.
 Press six times to turn off.



Foot Rollers

Press button to turn on rolling foot massage. Press again to turn off.



Lumbar Heat

Press button to turn on lumbar heat. Press again to turn off.

Manual Options

Manual

Manual Massage Techniques

Press this button to toggle between the following massage techniques:



Press button once for Kneading massage. The speed is adjustable.



Press twice for Knocking massage. The speed is adjustable.



Press button three times for Kneading & Knocking massage. The speed and width is adjustable.



Press button four times for Tapping massage. The speed and width is adjustable.



Press five times for Shiatsu massage.

Please Note:

- The above manual functions can not be used during auto programs.
- The default setting for the above techniques is spot-specific with medium width. You can adjust speed and width settings by pressing their corresponding buttons.



Speed Adjustment

Choose from three levels: Slow, Medium, and Fast.

Width

Width Adjustment

Choose from Narrow, Medium, and Wide settings.

Back zone

Full/Partial/Point Massage

Press once to start a full back massage. Press again to start a partial massage. Press a third time and the rollers will stay in one location.



Move Massage Rollers Up/Down

Use these buttons to set shoulder height during body scanning.



FCC Statement

1. This device complies with Part 15 of the FCC Rules. Operation is subject to the following two conditions:
 - (1) This device may not cause harmful interference, and
 - (2) This device must accept any interference received, including interference that may cause undesired operation.
2. Changes or modifications not expressly approved by the party responsible for compliance could void the user's authority to operate the equipment.

This equipment has been tested and found to comply with the limits for a Class B digital device, pursuant to part 15 of the FCC Rules.

These limits are designed to provide reasonable protection against harmful interference in a residential installation. This equipment generates, uses and can radiate radio frequency energy and, if not installed and used in accordance with the instructions, may cause harmful interference to radio communications. However, there is no guarantee that interference will not occur in a particular installation.

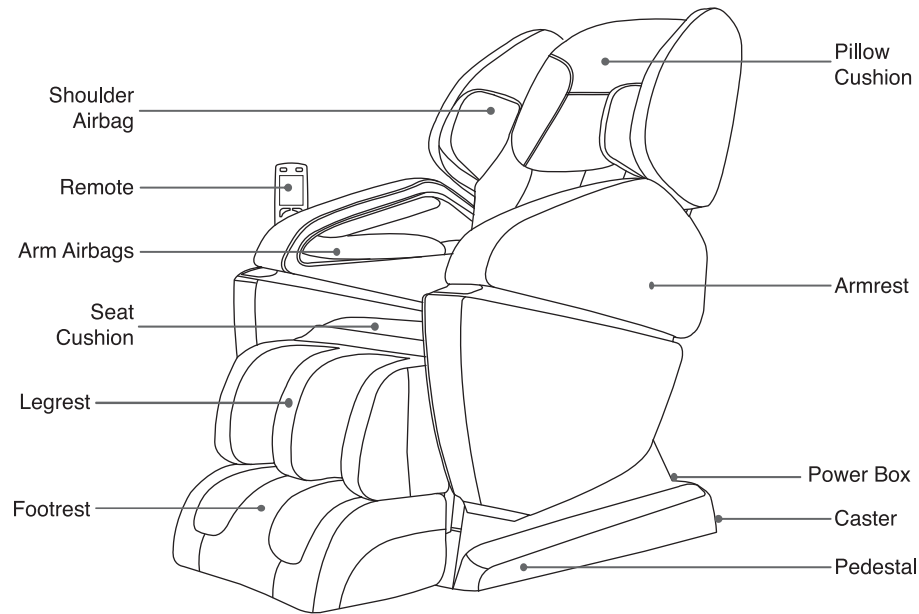
If this equipment does cause harmful interference to radio or television reception, which can be determined by turning the equipment off and on, the user is encouraged to try to correct the interference by one or more of the following measures:

- Reorient or relocate the receiving antenna.
- Increase the separation between the equipment and receiver.
- Connect the equipment into an outlet on a circuit different from that to which the receiver is connected.
- Consult the dealer or an experienced radio/TV technician for help.

FCC Radiation Exposure Statement:

This equipment complies with FCC radiation exposure limits set forth for an uncontrolled environment. In order to avoid the possibility of exceeding the FCC radio frequency exposure limits, human proximity to the antenna shall not be less than 20cm (8 inches) during normal operation.

External Structure



Body Scanning

The massage chair will perform a scan every time a new user sits in it and selects an Auto or Manual program. This scanning technology ensures an accurate and personalized massage for every individual.

Auto Programs

Quick **Quick Massage Program**
Press for a 6-minute demonstration of all available massage techniques.

I-Full Body **Full Body Massage Program**
Uses a combination of kneading, tapping, and air massage.

II-Recover **Recover Massage Program**
Focuses on back and leg massage.

III-Focus **Focus Massage Program**
Performs a series of slower, deliberate massage techniques to focus on muscle groups starting at the top of the back and moving down. Rolling and kneading are used early, followed by stretching and rhythmic tapping in focused areas.

IV-Relax **Relax Massage Program**
This slower-paced massage delivers a soothing intensity with full airbag massage.

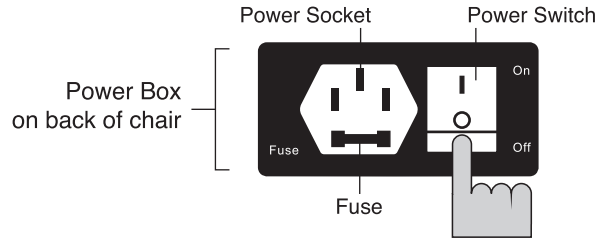
All air **Air Massage**
This program uses only airbags for a full-body compression massage, alternating between the feet, calves, seat, arms, hands, and shoulders.

Please Note:

- The default time setting is 15 minutes and the default airbag intensity is low for all programs listed above.
- These auto programs cannot be combined with other massage programs or functions.

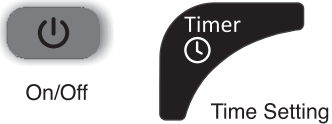
Turning On the Massage Chair

First, be sure the power switch on the back of the massage chair is in the off “O” position. Then insert the power cable into the port to the left of the switch. Once firmly plugged in, proceed to plug the power cord into the outlet. Then flip the switch to the on “I” position, and the remote should light up.



Starting Your Massage

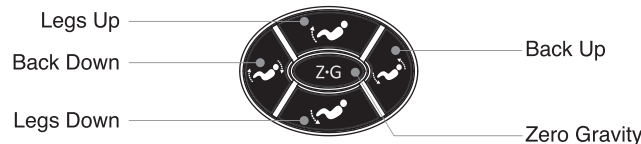
Sit in the chair with your buttocks firmly pressed against the backrest to ensure that the chair will provide consistent massage pressure from top to bottom. Then press the “On” button and select a massage.



Press the “Timer” button to adjust your massage time. The massage time can be adjusted in 5-minute increments, with a max massage time of 30 minutes.

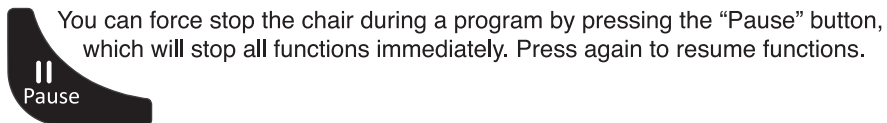
Adjusting the Backrest & Legrest

Adjust the backrest and legrest angle prior to selecting a massage function. Setting the position before selecting a massage program allows for the chair to deliver a more accurate massage. The chair and legrest can be adjusted simultaneously or individually, depending on the button selected on the remote as illustrated below.



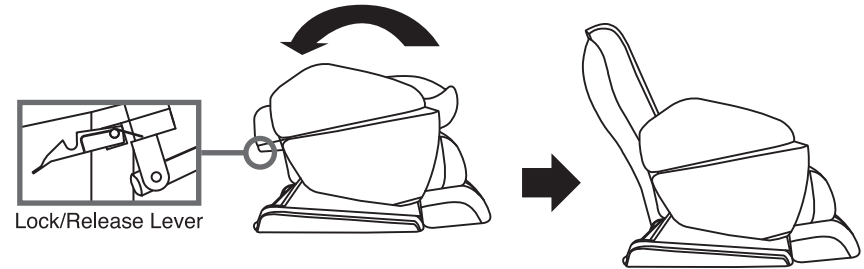
Pause or End Massage

The default massage time is 15 minutes, after which the program will end and the chair will reset to its original position.



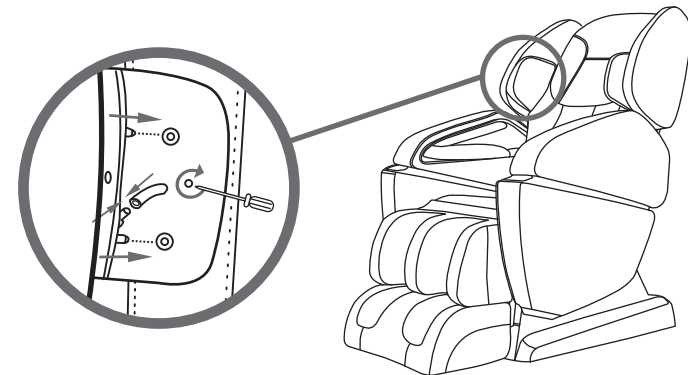
Backrest Assembly

Raise the backrest until it is in the upright position. You will hear a “click” when it is fully upright and locked in place.



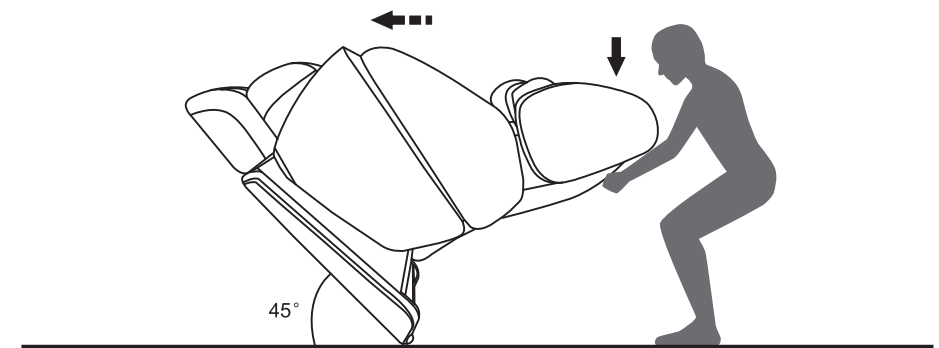
Shoulder Installation

Insert the airtube through the middle hole of the shoulder plate, then secure the shoulder plate to the backrest with the two bolts. Next, connect the two airtubes and close the zipper.



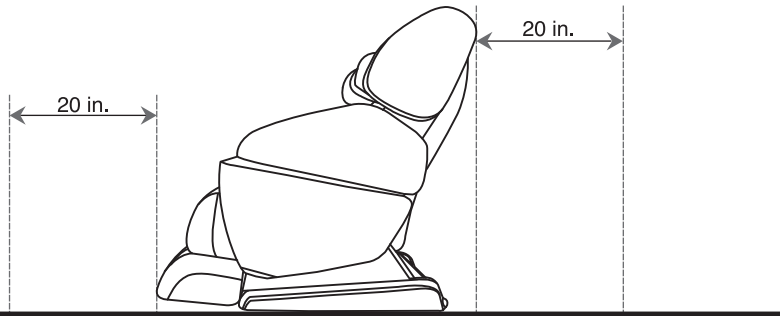
Moving the Massage Chair

1. Lower the chair by the backrest until the base is inclined at a 45° angle.
2. Move the chair carefully by the caster.



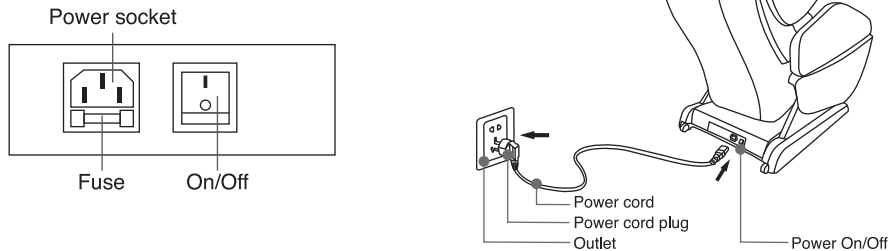
Chair Placement

- When placing your massage chair, be sure to leave 20 in. of space between the back of the chair and any wall or other objects to allow it to recline safely.
- When using the massage chair, ensure there are no people, pets, or objects within 20 in. of the chair to allow the footrest to extend safely.



Connecting the Power Cord

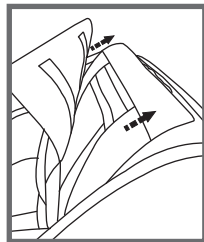
Insert the power cord into the chair's power socket, then plug the cord into a grounded wall outlet. Turn the power switch to the on (I) position.



Pillow Cushion Adjustment

The head pillow is attached by Velcro and can be adjusted by removing and re-fastening it to the desired height of the headrest.

Please note: The first time you attach the pillow, you will need to remove and discard the protective fabric from the hook side of the Velcro.



Intensity Adjustment

The Prelude comes with a back pad zippered into the center strip, where the rollers move up and down. To increase lower back intensity, unzip this section and remove the extra pad. To access this compartment, remove the back cushion, which is attached with Velcro.

