



F L E X S T E E L[®]

Lift Recliner Owner's Manual



CONTENTS

I. SAFETY	3
II. YOUR LIFT RECLINER	4
III. LIFT RECLINER ASSEMBLY	5
IV. LIFT RECLINING SOFA ASSEMBLY	10
V. HAND CONTROL OPERATION	12
VI. SERVICE INFORMATION	13



SAFETY

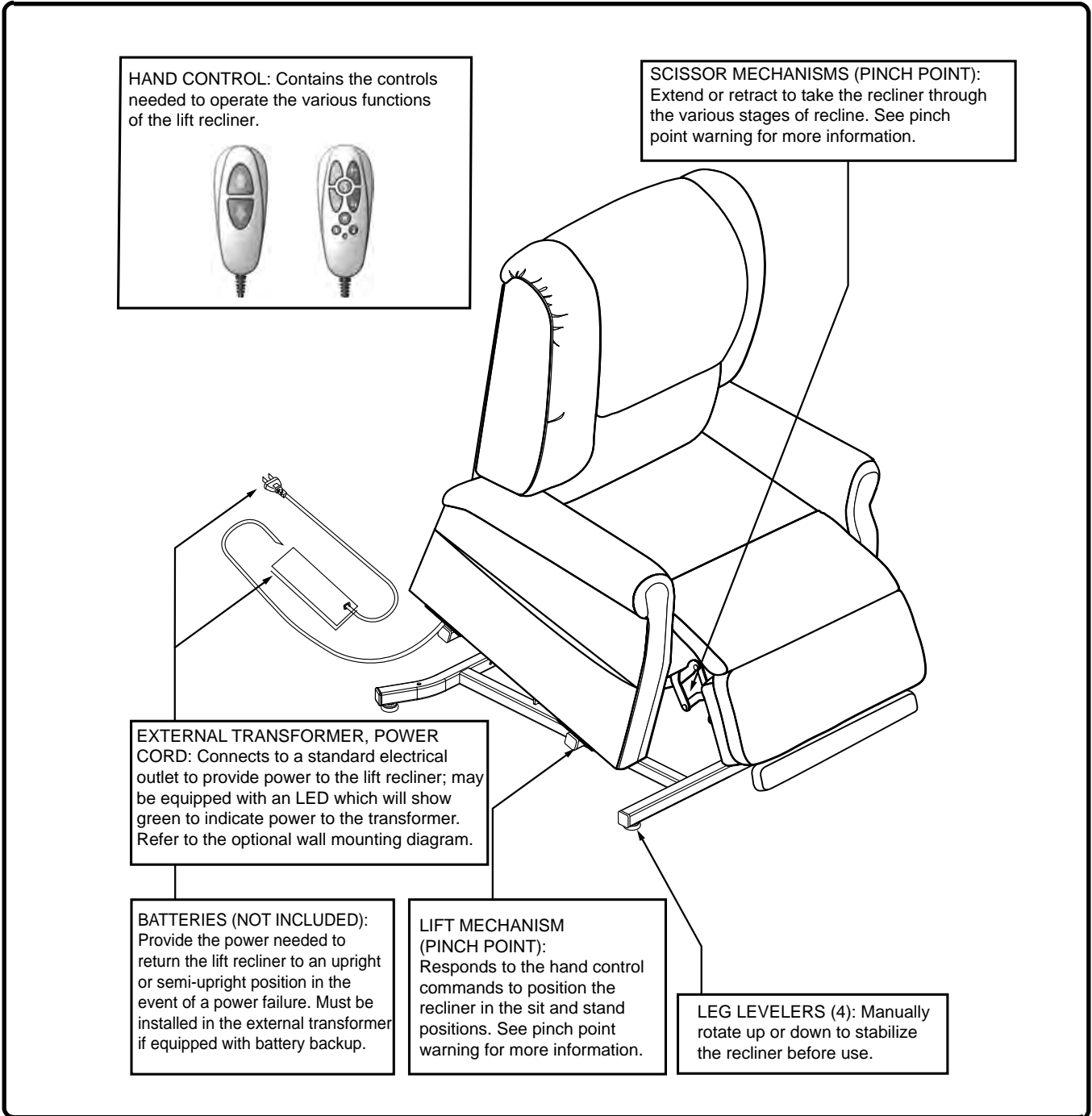
READ THIS MANUAL BEFORE INSTALLING OR OPERATING YOUR LIFT RECLINER.

⚠ WARNING

- ⚠ Care should be taken in the unpacking of this unit so as not to cause injury to persons or damage to the unit. Dispose of all plastic bags and covers, as they can be a smothering hazard to small children.
- ⚠ Do not allow children or pets near the recliner while the recliner is operating.
- ⚠ Do not allow children to play with or operate the recliner at any time.
- ⚠ Hand control should be unplugged and placed out of reach of children when the recliner is not in use.
- ⚠ Do not drop down into the recliner when getting into it or while it is in its lift position. Dropping down into the recliner will damage it and could cause personal injury.
- ⚠ Do not allow anyone to sit on your lap, on the arm of the recliner, or on the footrest while operating the recliner as it may cause tipping and could result in personal injury.
- ⚠ Do not place fingers or hands between the seat cushion and the inside arm of the recliner while sitting in the recliner or when the recliner is in operation or plugged into a power source.
- ⚠ Do not retrieve fallen objects from inside or under the recliner while the recliner is plugged into a power source.
- ⚠ Do not operate recliner if there are any persons, pets, or other obstructions under or in front of the footrest or under or behind the recliner.
- ⚠ Do not smoke while operating, sitting, or resting in the recliner.
- ⚠ To reduce risk of electrical shock, do not immerse any of the electrical components into a liquid or spill any liquids onto electrical components. Do not open any of the electrical components. There are no serviceable parts.
- ⚠ Warranty will be void if any of the electrical components are opened by other than a qualified service person.
- ⚠ Make sure the recliner is placed at the specified distance from a wall/corner. Failure to do so can damage the recliner and will void the warranty.
- ⚠ Do not use any type of electrical extension cord to plug your recliner into an electrical outlet.



YOUR LIFT RECLINER



ELECTRICAL COMPONENTS

Your lift recliner is equipped with a low-voltage DC electrical system that reduces the standard household alternating current of 100V AC–240V AC to direct current (29V DC). The electrical components include the external transformer, batteries (not included), and hand control. Keep these areas free from moisture at all times.

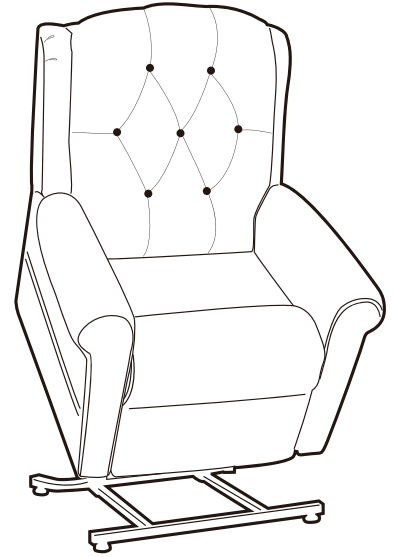


WARNING! Keep all electrical components free from moisture at all times to prevent shock and/or electrical hazard.

Batteries: Provide the power needed to return the lift recliner to an upright or semi-upright position in the event of a power failure. For those models equipped with a battery backup system, the batteries (not included) must be installed into the external transformer.



FLEXSTEEL®



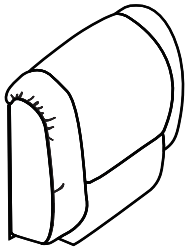
Lift Recliner

IMPORTANT NOTE

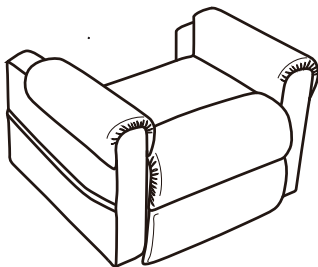
Carefully remove all the parts from the carton and put them individually on a soft cloth to prevent damage to the parts.

We have taken great care in the design of this product and request that you carefully and strictly follow our assembly instructions to ensure a completed product as it was designed.

PART LIST



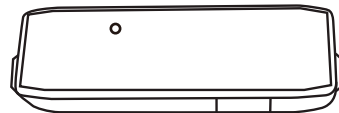
A: Back



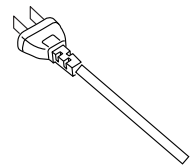
B: Seat Base



C: Removable Back Wing
(only available on select models)



D: Transformer



E: Power Cord



F: Hand Control (varies depending
on models)



G: Adjustable Legs (only
available on select models)

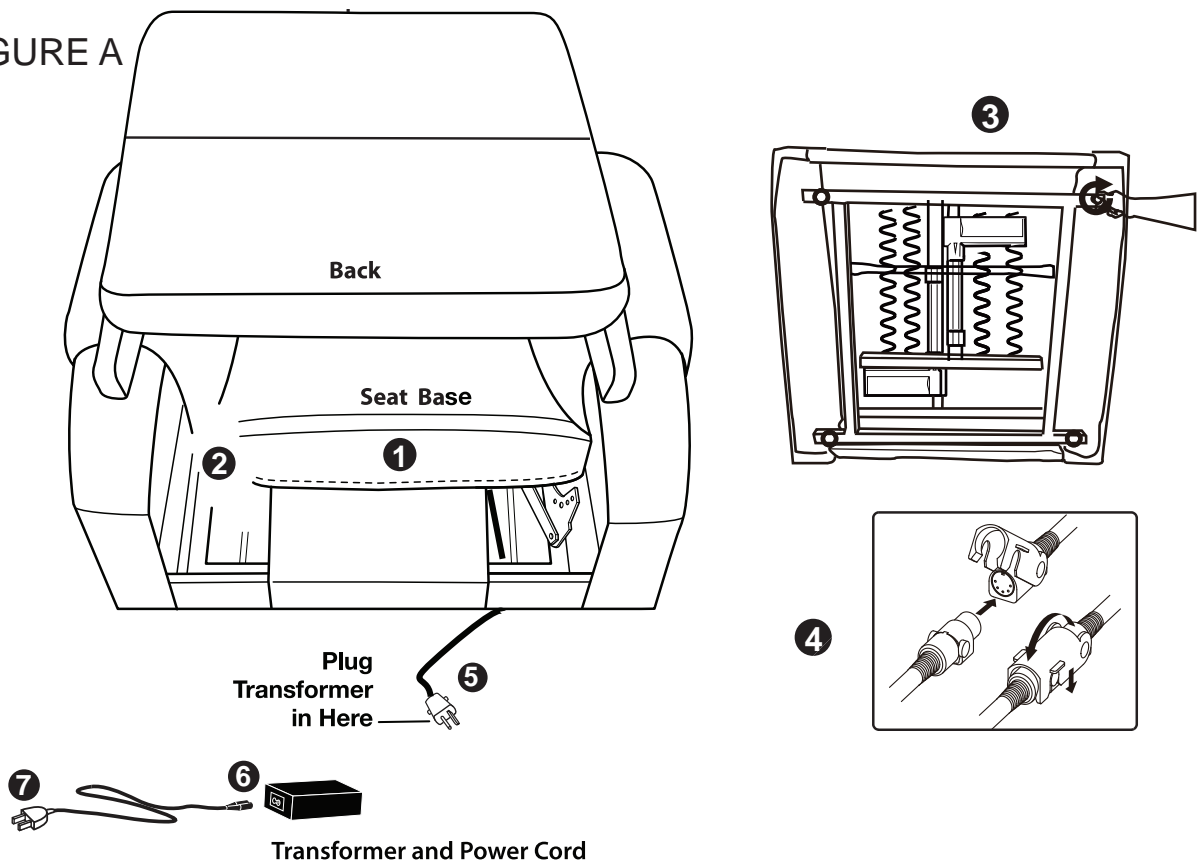


ASSEMBLY INSTRUCTIONS

Once the recliner has been removed from the box, you'll notice the back is laying on the top of the seat. Follow the steps below:

1. Some models have Removable Back Wings (C) that attach to the Back (A). When unpacking your recliner, you will find these Removable Back Wings (C) packed in the back of the Seat Base (B). (See Figure A, #1.) Unpack the Removable Back Wings (C) and set them aside for later.
2. Locate the plastic bag that contains the Transformer (D), Power Cord (E), four Adjustable Legs (G) (only available on select models), and the Hand Control (F). Turning the Seat Base (B) over on its arms will reveal the plastic bag tied to the inside of the unit. Carefully cut the ties that hold the bag and remove it. (See Figure A, #2.) Dispose of the ties and bag properly.
3. With the recliner still on its back, install the four Adjustable Legs (G) onto the Seat Base (B) of the recliner. (See Figure A, #3.) Then position the recliner upright, so it is sitting on the Adjustable Legs (G)

FIGURE A

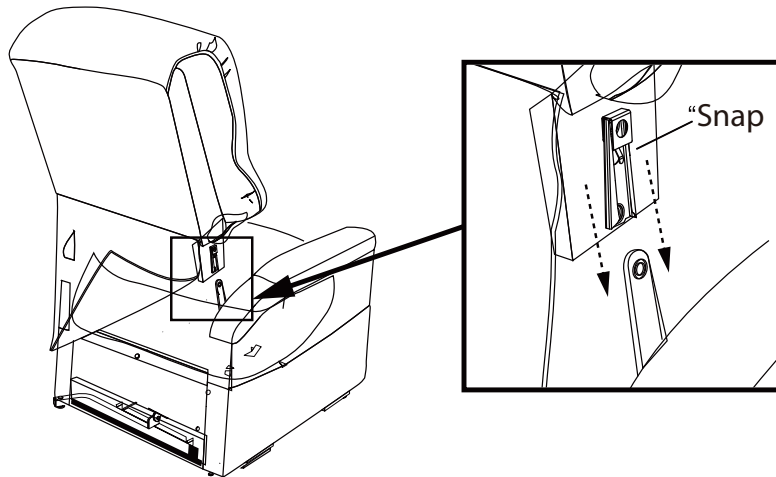




ASSEMBLY INSTRUCTIONS

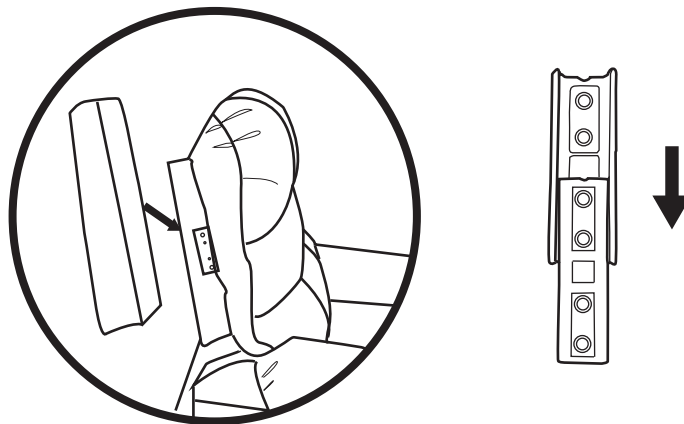
4. To install the Back (A), align the female brackets in the back with the male brackets in the Seat Base (B), and slide the Back (A) down onto the Seat Base (B). (See Figure B.) Push down on the top of the Back (A) to lock it into position. You will hear a click on each side of the recliner to ensure the Back (A) is locked in properly.

FIGURE B



5. If your model has Removable Back Wings (C), align the male with the female brackets and slide the Removable Back Wings (C) down into place. (See Figure C.)

FIGURE C



6. Connect the Transformer (D) to the corresponding plug coming from the back of the recliner. (See Figure A, #5.)
7. Connect the Power Cord (E) into the Transformer (D). (See Figure A, #6.)
8. Connect the Power Cord (E) into an electrical outlet near the location the recliner will be used. (See Figure A, #7.)



ASSEMBLY INSTRUCTIONS

LIFT RECLINER PLACEMENT

Your lift recliner should be placed near a standard electrical outlet on dry, level ground where there is ample room to allow for proper operation. We recommend that you have assistance when positioning the lift recliner to avoid the possibility of injury when lifting.

Follow these steps to position the lift recliner in a safe manner:

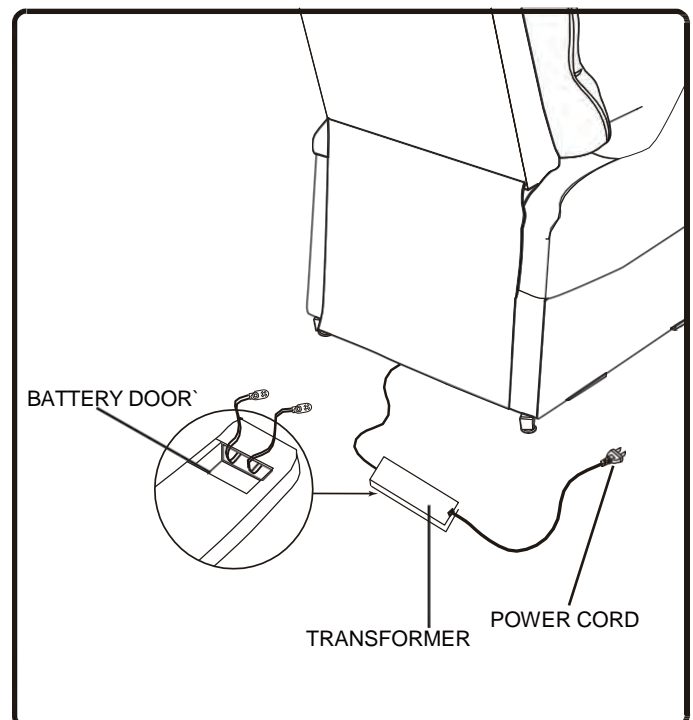
1. Place the back of the lift recliner 30 inches (76 cm.) from the nearest obstruction while the recliner is in the seated position. This measurement may vary depending on the model.
2. Adjust the Adjustable Legs (G) to level out and stabilize the lift recliner.
3. Install the batteries (not included) into the Transformer (D).
4. Position the Transformer (D) on the floor in an open, well-ventilated area where it will not be an obstruction.
5. Position the low-voltage connection cable where it will not be pinched between the frame and the lift mechanism.
6. Connect the low-voltage connection cable to the Transformer (D) if it is not already connected.
7. Plug the Power Cord (E) directly into the electrical outlet. **DO NOT** use an extension cord!

BATTERY INSTALLATION

Your lift recliner is equipped with a battery backup system that will activate during a power failure. The backup system is powered by two 9V batteries (not included) that need to be installed into the Transformer (D).

Follow these steps to install the batteries:

1. Unplug the Power Cord (E) from the electrical outlet.
2. Open the marked battery door on the Transformer (D).
3. Install two 9V batteries into the Transformer (D).
4. Replace the battery door.





F L E X S T E E L[®]

ASSEMBLY INSTRUCTIONS

NOTE: Always make sure the Transformer (D) is equipped with two fresh 9V batteries since the battery backup system does not recharge itself. Fresh batteries are defined as 9V alkaline batteries that are replaced every time the battery backup system is activated during a power failure or once a year if the battery backup system has not been activated.

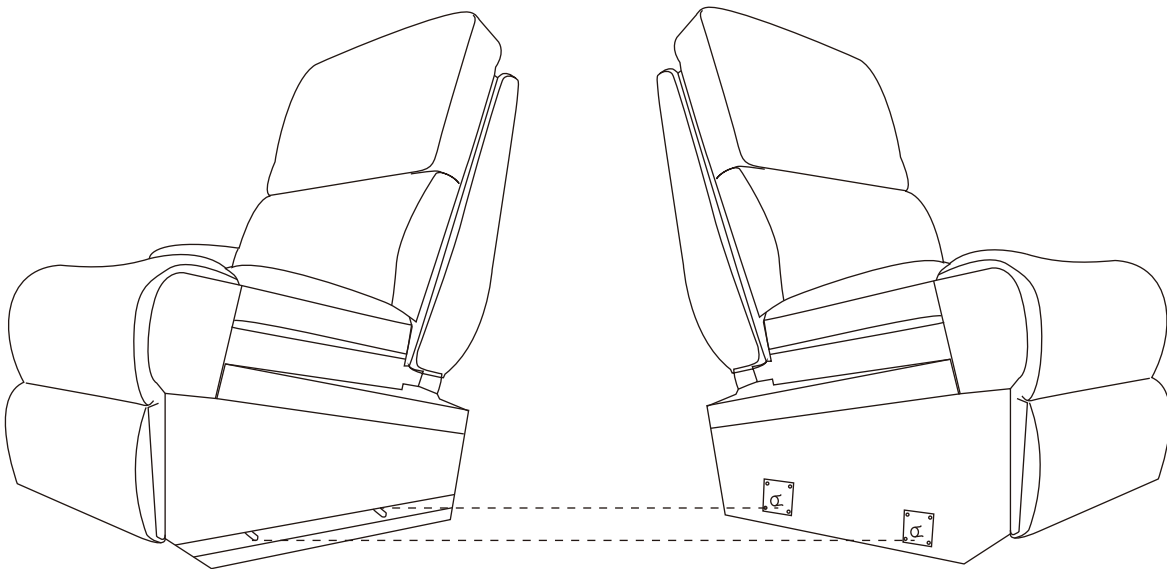
NOTE: If you unplug your lift recliner for an extended period of time (more than one hour), remove the batteries from the Transformer (D). The lift recliner will draw power from the batteries even when it is not in use.



ASSEMBLY INSTRUCTIONS

If you purchased a lift reclining sofa, please follow the below assembly instructions.

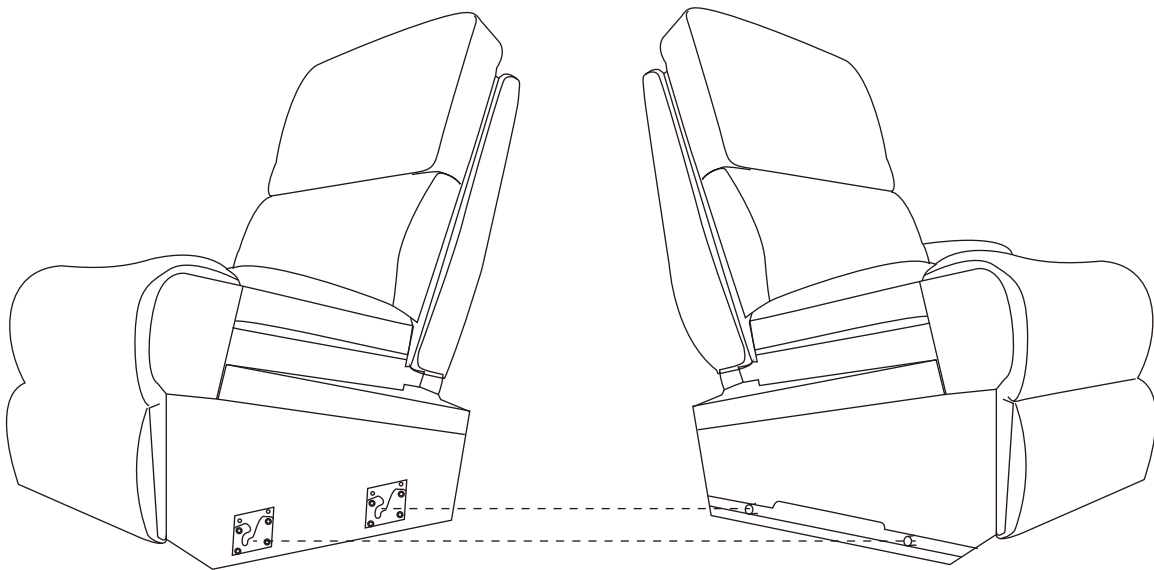
1. After you have unpacked your furniture, position the recliner with the arm on the left side when facing it, or the left-arm-facing (LAF) recliner, where you want it to sit.
2. Connect the center armless piece to the LAF recliner by sliding the pins on the armless piece into the slots on the LAF recliner.





ASSEMBLY INSTRUCTIONS

3. Connect the remaining recliner with the arm on the right side when facing it, or the right-arm-facing (RAF) recliner, to the center armless piece by sliding the pins on the RAF recliner into the slots on the armless piece.



4. To disassemble the sofa, reverse the above procedure. Always start with the RAF recliner during disassembly.



OPERATION

HAND CONTROL OPERATION

Your lift recliner hand control is equipped with buttons that control the movement of the recliner. Read the following instructions for basic hand control operation.

Follow these steps to properly sit in your lift recliner:

1. Make sure that the lift recliner is in the standing position.
2. Back into the lift recliner and sit in the center of the seat.
3. Activate the DOWN button to lower the lift recliner to a comfortable seated position.

Follow these basic steps to operate your lift recliner from the seated position:

1. Activate the UP button to raise your lift recliner to the standing position.
2. Activate the DOWN button to lower the lift recliner to a comfortable seated position.

Follow these steps to recline your lift recliner from the seated position:

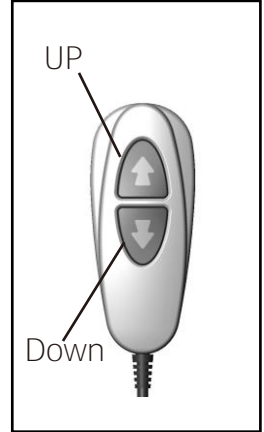
1. Activate and hold the DOWN button until comfortably reclined.
2. Activate and hold the UP button to return to an upright, seated position. Release the button when the lift recliner reaches a comfortable seated position.

Follow these steps to properly stand up from your lift recliner:

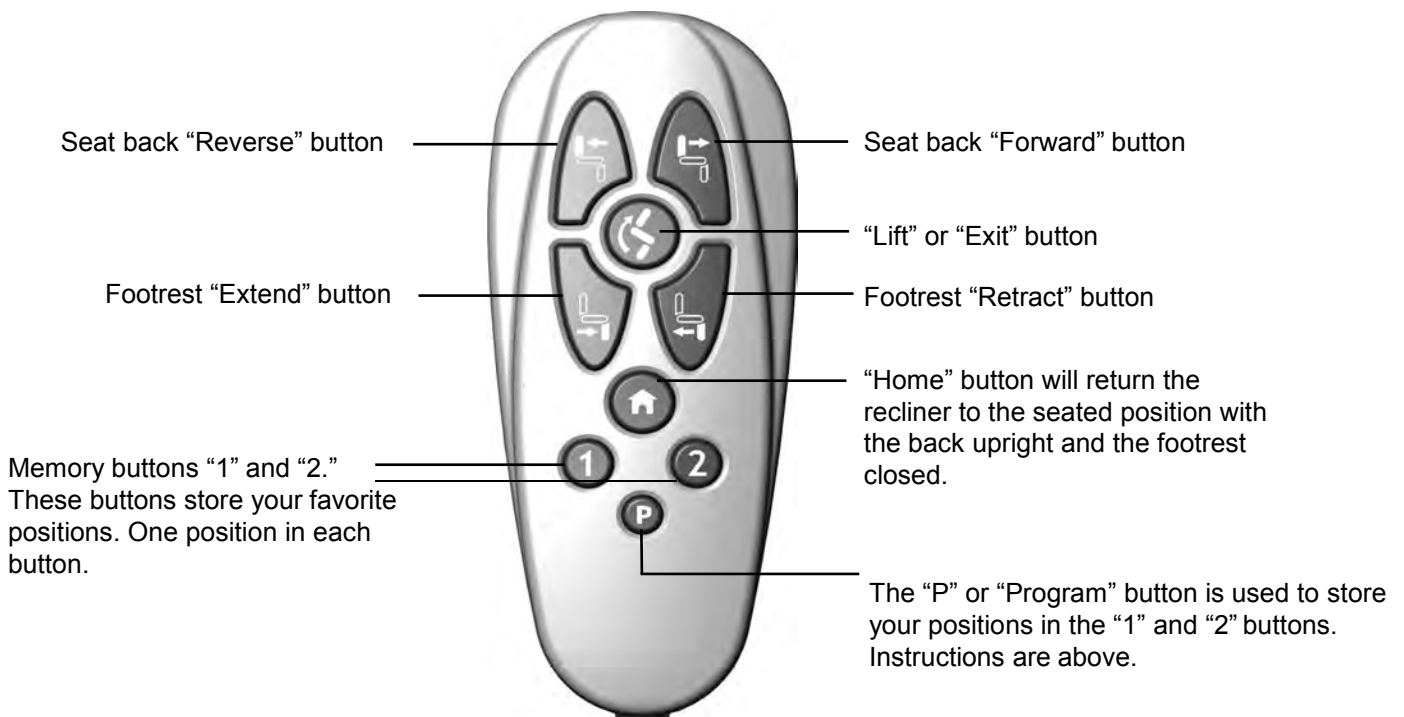
1. Activate and hold the UP button to raise your lift recliner.
2. Release the button when the lift recliner reaches a height where you can stand up comfortably.

Follow these steps to program your memory buttons on your lift recliner:

1. Press and hold the "P"(program) button for three seconds and release. The hand control back lighting will begin to flash.
2. Set the recliner in the desired position using the back and footrest buttons.
3. Once in the desired position, simply press the "1" or "2" button to store you position in that location.



Hand Control with Memory Features





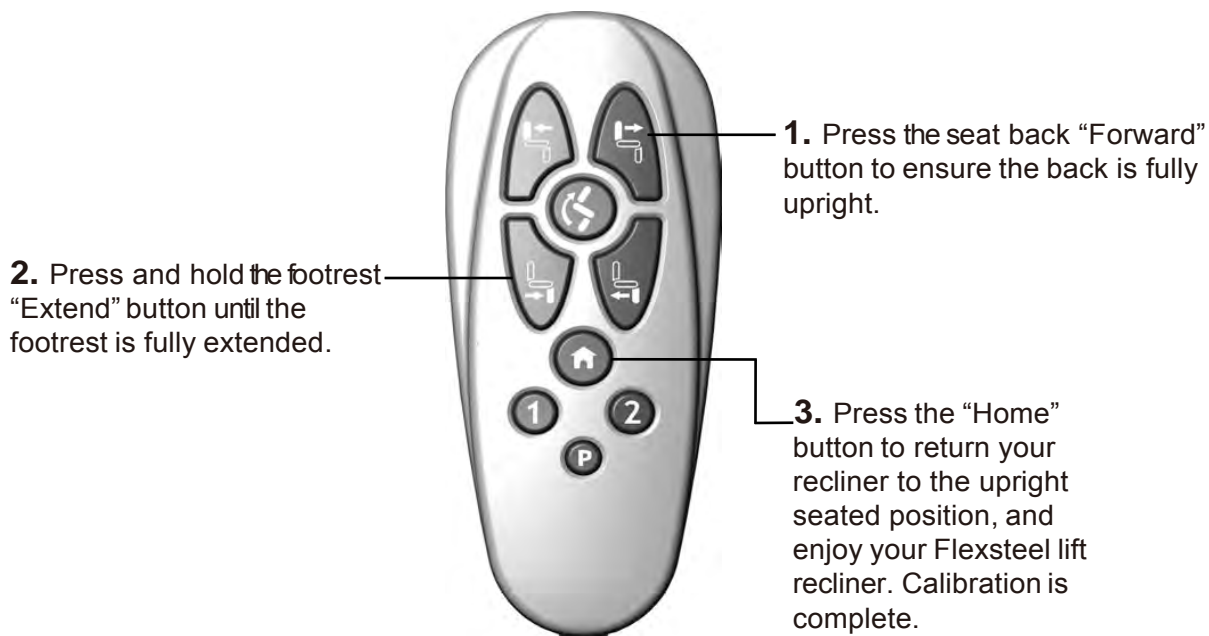
SERVICE INFORMATION

CALIBRATION OF THE PROGRAMABLE HAND CONTROL

If your lift recliner requires replacement of any of the parts listed below, the recliner must be recalibrated to support the programming feature.

- Control box
- Actuator
- Lift mechanism

If these parts are replaced on a model with a nine-button hand control, please follow the instructions below to recalibrate your lift recliner.



If these parts are replaced on a heavy-duty model, please follow the instructions below to recalibrate your lift recliner.

1. Disconnect the recliner from the power source. Be sure to wait until the green light is off on power supply.
2. Hold down both up and down arrows on the hand control while connecting the power. Continue to hold both buttons down until the recliner is fully reclined. (Note: There may be two or three seconds between returning power and movement of the recliner. Do not let buttons go until recliner reclines fully.)
3. Reset is complete once recliner is fully reclined and normal operation may resume.