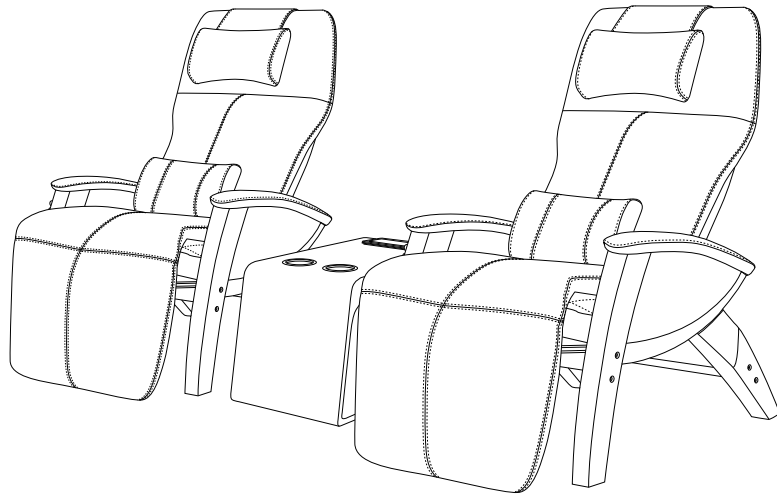
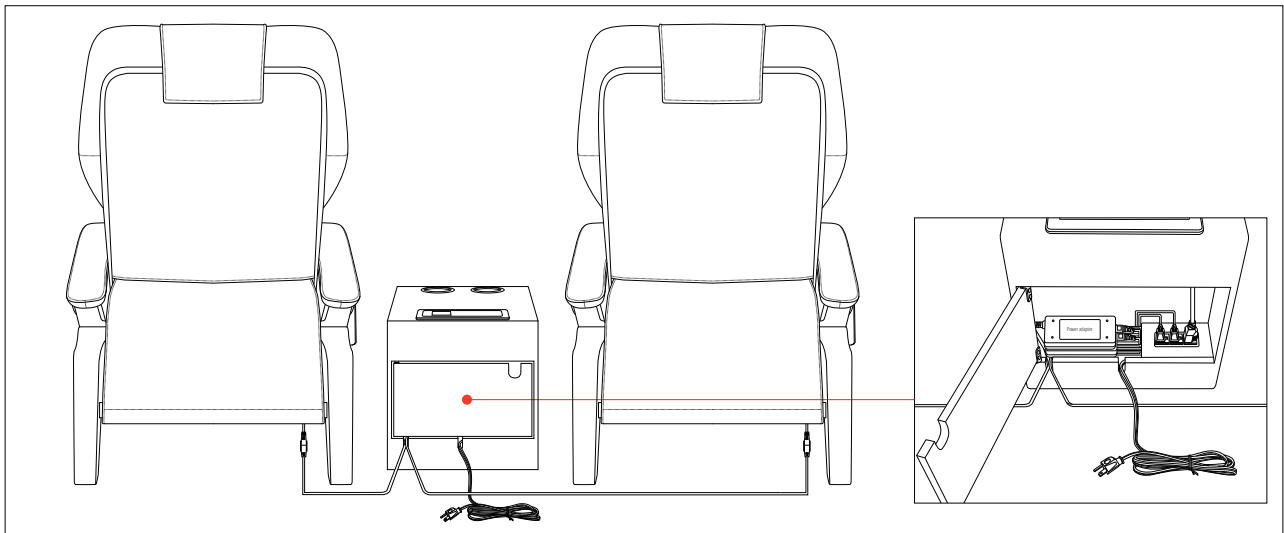


How To Use Your Table (SV-10)



Consolidate Your Cords.

With an additional two power outlets on the backside of the Table, you are able to plug two chairs into one, hidden, location. After you plug your chair(s) into the back of the table, all you need to do is plug the table's power cord into the wall.



Hold Your Cup.

The Table has two stainless steel cup holders that can hold your beverages of choice.

Recharge Your Devices.

With a wireless charging dock, two USB ports, and two power outlets located on the top of the Table, you will be fully charged at all times.

