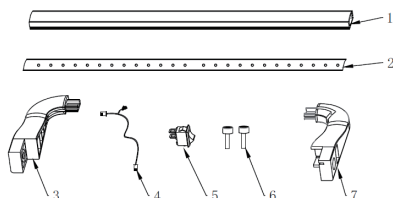


LED Light Bar Kit V1.0 Instruction Manual

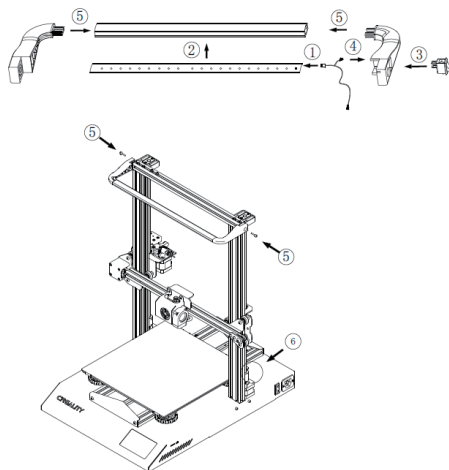
Parts list

- | | |
|---------------------|------------------------|
| 1、Lampshade | 5、Rocker switch |
| 2、LED light bar | 6、Hexagon socket bolts |
| 3、Left light holder | 7、Right light stand |
| 4、Power cord | |



Installation Steps

- ① Connect power cord to the reserved port on right end of light bar;
- ② Insert LED light bar into lampshade card slot;
- ③ Press rocker switch into the reserved card slot on right light holder;
- ④ Insert the reserved port of power cord into metal piece of the rocker switch, and insert cord into the cord slot of right lamp holder;
- ⑤ Insert the left and right lamp holders into two ends of lampshade and fix them to designated position of printer with bolts;
- ⑥ Connect the other terminal of power cord to the reserved power port of printer.



SHENZHEN CREALITY 3D TECHNOLOGY CO., LTD.

Add : 18F, JinXiu-HongDu Building, Meilong Blvd.,
Longhua Dist., Shenzhen, China 518131
Official Website: www.crealty.com Tel: +86 755-8523 4565
E-mail: info@creality.com cs@creality.com