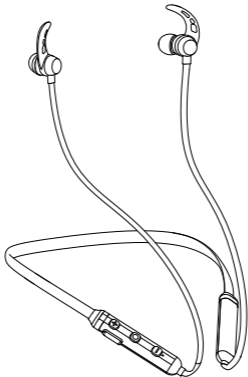


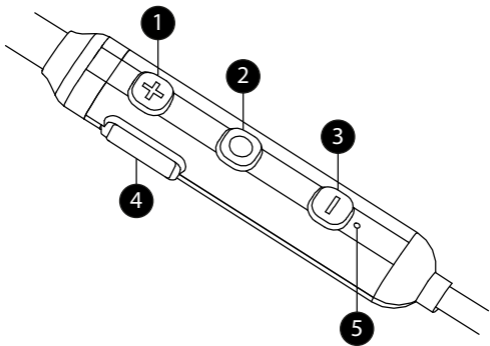
UltraFit 1

Ultra Compact Wireless Earphones



Quick Start Guide

MIXXAUDIO™



-
- 1 Volume Up (+) Button
 - 2 Multi-Function Button
 - 3 Volume Down (-) Button
 - 4 Micro USB Charging Port
 - 5 Built-in Microphone

Pairing and Connecting

With the earphones switched off, Press and Hold the Multi-Function button until the LED Indicator Light flashes red and blue alternately.

Switch on Bluetooth on your device, then search for the earphones. They will appear as 'Mixx UltraFit 1'. Select the earphones to pair with them. Once connected, the LED Indicator Light will blink blue every few seconds. If you are prompted for a passcode to pair, use either '0000' or '1234'.

Controls

Power On/Off • Press and Hold Multi-Function button for 3 seconds

Play/Pause • Short Press Multi-Function button

Volume Up/Down • Short Press + or – buttons

Next/Previous • Press and Hold + or – buttons

Answer Call • Short Press Multi-Function button

End Call • Short Press Multi-Function button for 2 seconds

Pairing Mode • When earphones are off, Press and Hold Multi-Function button for 5 seconds.

Charging the earphones

Connect the earphones to a suitable USB wall charger or computer USB port using the included Micro USB charging cable. The charging port on the earphones is under the cover on the side of the remote control.

When charging, the LED Indicator light will shine red. Once the earphones are fully charged, the red light will turn blue . This will take between 1 and 2 hours.

Switching the earphones On and Off

Press and Hold the Multi-Function button for 3 seconds to switch the earphones on. The earphones will automatically connect to the last used Bluetooth Device. The LED Indicator Light will flash blue once switched on.

Press and Hold the Multi-Function button for 3 seconds to switch the earphones off. The LED Indicator Light will flash red once before switching off.

Safe Usage Instructions

Do not listen to loud music for long periods of time.

Adjust the volume to a comfortable level before listening.

Do not use while operating machinery, including cars.

Do not use in areas where the use of hearing is required for safety.

Store this product away from children.

This product is not water resistant and should not come into contact with water or high humidity.

Only use the included accessories with the product.

This product contains a lithium battery. Incorrect disposal may result in explosion.

The recommended operating temperature range for this product is between 5°C and 40°C.

MIXXAUDIO™

For support please visit www.mixxaudio.com

Made in China