

WINCHESTER SINGLE DATA SHEET



Single Console Basin and Legs

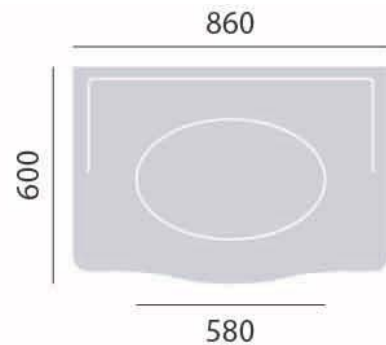
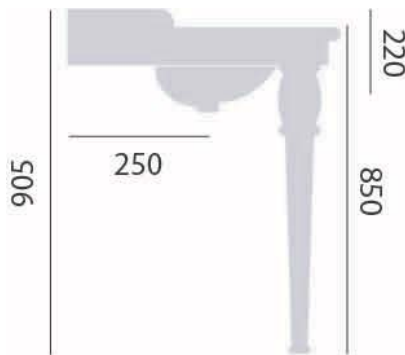
Product Specification

Product Codes:	W463 (3 Taphole) W09L (Console Basin Legs) White
Finish:	Traditional
Product Type:	Fireclay
Construction:	905 (H) mm, 860 (W) mm, 600 (D) mm
Dimensions for Fitting:	



Additional Information

- Lifetime Guarantee
- 3 Taphole only
- Vitreous China Manufactured to: BSEN31:1999
BSI 188:1974
BS3402:1969



Technical Advice:	For further information please call 1800 111 566 or email sales@traditionaltaps.com.au
Guarantee:	Lifetime Guarantee covering manufacturing faults.

Traditionaltaps.com.au, 4/37 North Link Place, Virginia, Queensland, 4014
Telephone: 07 3266 5222 Facsimile: 07 3266 5233
Web Site: www.traditionaltaps.com.au Email: sales@traditionaltaps.com.au

The information contained on this page was correct at date of issue. Fitting dimensions are provided as a guide only. Some variation may occur due to manufacturing tolerances. Traditionaltaps.com.au pursues a policy of continuing improvement in design and performance of its products and so reserves the right to change specifications without prior notice.