

WINCHESTER DATA SHEET



Victoria

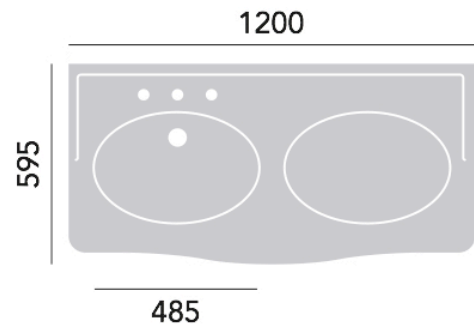
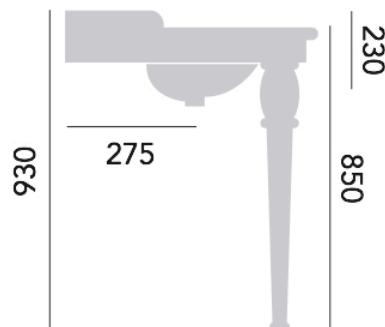
Double Console Basin and Legs

Product Codes:	W481 (1 Taphole)
Product Specification:	W483 (3 Taphole)
	PVEW09L (Console Basin Legs)
Finish:	White
Product Type:	Traditional
Construction:	Fireclay
Dimensions for Fitting:	930 (H) mm, 1200 (W) mm, 595 (D) mm



Additional Information

- Lifetime Guarantee
- Fireclay Manufactured to: BSEN31:1999
BSI 188:1974
BS3402:1969



Technical Advice: For further information please call 1800 111 566 or email sales@traditionaltaps.com.au

Guarantee: Lifetime Guarantee covering manufacturing faults.

Traditionaltaps.com.au, 4/37 North Link Place, Virginia, Queensland, Australia
6016 Telephone: 1800 111 566 Facsimile: 07 3266 5222
Web Site: www.traditionaltaps.com.au Email: sales@traditionaltaps.com.au

D4

The information contained on this page was correct at date of issue. Fitting dimensions are provided as a guide only. Some variation may occur due to manufacturing tolerances. Traditionaltaps.com.au pursues a policy of continuing improvement in design and performance of its products and so reserves the right to change specifications without prior notice.