



## TECHNICAL INFORMATION & WARRANTY

RE-60  
RE-60 L  
RE-60 G

**RB**  
RENAISSANCE  
BATHROOMS

## PRODUCT DESCRIPTION

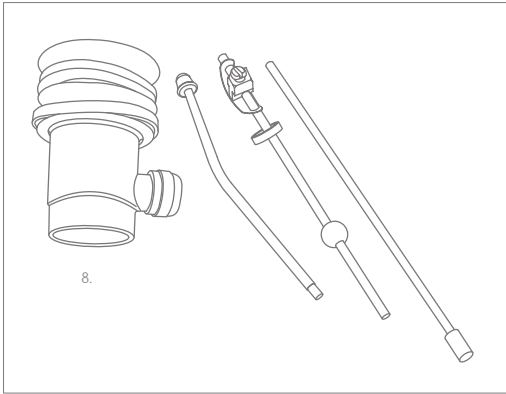
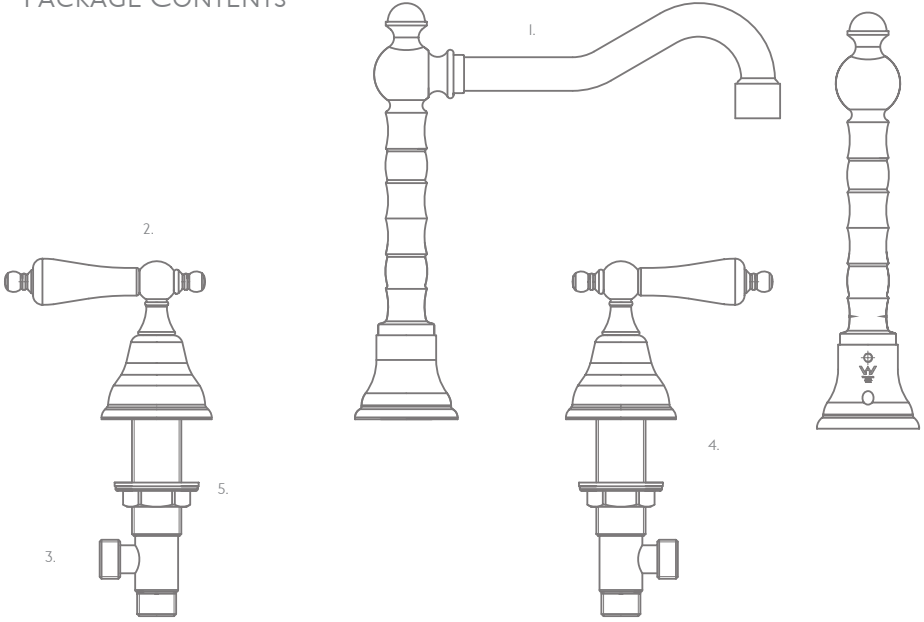
Chavalets elegance brings an instantly recognisable signature of quality and refined design to kitchens & bathrooms, instantly drawing toward helping to create a point of congregation around which good times unfold. Manufactured in Europe to ensure both production and design authenticity are maintained, attention to detail is evident at all levels.

Solid brass body construction safely houses the latest Ceramic disc technology, delivering longevity and the signature firm yet gliding lever action associated with all Renaissance products.

Chavalet is available with porcelain, metal and cross handle control, three distinct spouts, English, French and Deco and a range of finishes, including, chrome, nickel, brushed nickel, European Gold and Rubbed Bronze.

For further information about Renaissance faucets and ceramic disc technology please call customer service on **(07) 3266 5222** or visit: **[www.renaissancebathrooms.com.au](http://www.renaissancebathrooms.com.au)**

# PACKAGE CONTENTS



1. Spout
2. Bells Lever (x2)
3. Hot Cartridge
4. Cold Cartridge
5. Brass cartridge nuts (x4)
6. Flex hoses (x2)
7. Horse show rod connection kit
8. Pop up waste kit

# SPECIFICATIONS

The installation, commissioning and maintenance must be carried out in accordance with AS/NZS 3500 instructions supplied and be installed by qualified and competent plumber.

Installations must comply with all Local and National Water Authority Regulations, and Building and Plumbing Regulations.

## TEMPERATURE CONTROL

Minimum cold water supply temperature: 5°C

Maximum cold water supply temperature: 20°C

Maximum hot water supply temperature: 50°C

*Note! A Suitable approved tempering valve should be installed to limit temperatures to no more than 50 degrees or to comply with local regulations.*

## OPERATING LIMITS

Minimum dynamic pressure (gravity): 0.2 bar (20 kPa) or 2 metre head of water

Maximum dynamic pressure (mains): 5.0 bar (500 kPa)

Maximum static pressure: 8 bar (800kPa)

Maximum pressure differential: 5:1 (either supply) eg. Cold 1 bar (100 kPa): Hot 0.2 bar (20 kPa)

For optimum performance, supply pressures should be equal.

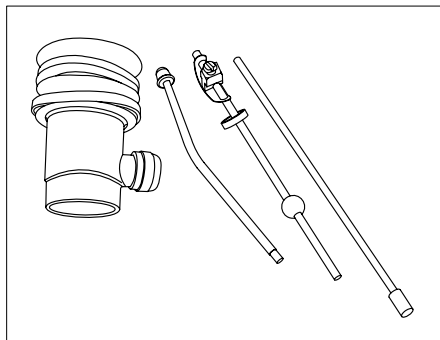
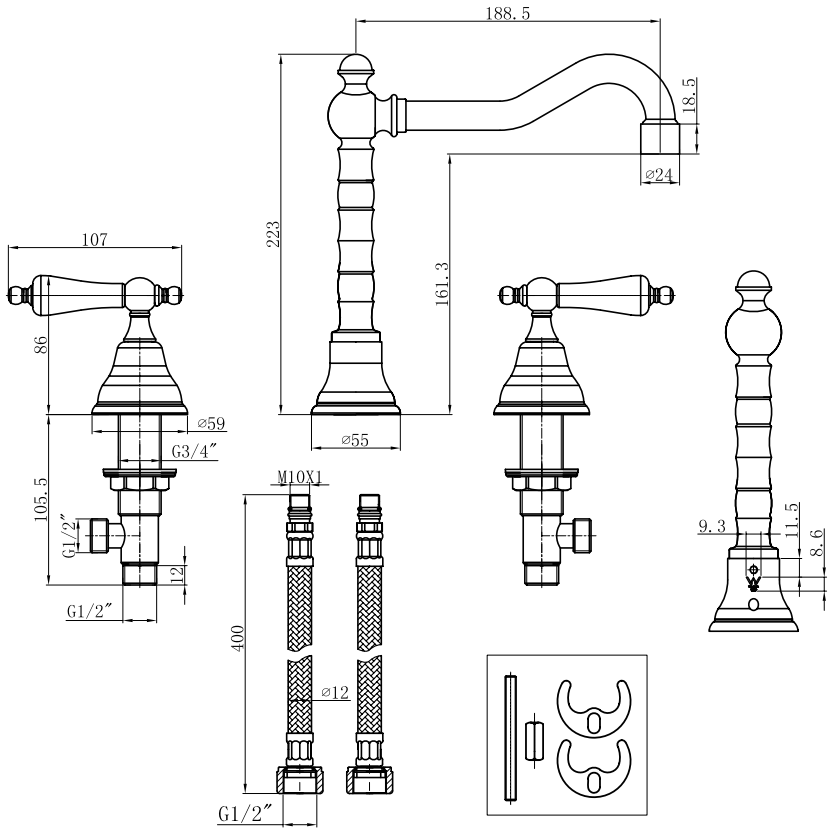
*Note! A suitable pressure control device should be installed to reduce supply pressures exceeding the above maximum pressure specification*

## FLOW PERFORMANCE

Flow rates stated are without flow limiters installed.

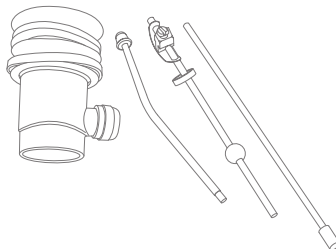
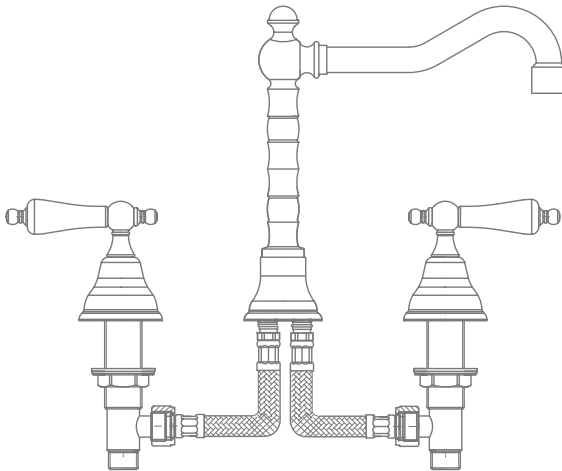
Dynamic Flow Pressure (bar)	1.5	2.5	3.5	5
Dynamic Flow Pressure (kPa)	150	250	350	500
Average Flow Rate (litres/minute)	4.3	4.8	4.6	4.8

# DIMENSIONS



# INSTALLATION INSTRUCTIONS

1. Identify all components and check for completeness, particularly before arranging installation
2. Fit spout to spout base
3. Identify hot and cold cartridge
4. Screw nut onto lower part of cartridge, place cartridge through basin hole
5. Place bell over cartridge and tighten down, if necessary loosen nut on cartridge to relocate cartridge so that bell sits properly
7. Take spout and screw hoses and threaded rod into base
8. Feed threaded rod and hoses through hole
9. Place horseshow retaining nut over threaded rod and secure using nut supplied
10. Connect flex hoses to cartridge bodies



## COMMISSIONING

There is no internal temperature or flow adjustment for this product.

## CLEANING RECOMMENDATIONS

Your fitting has a high quality finish and should be treated with care to preserve the visible surfaces. All finishes will wear if not cleaned correctly. The only safe way to clean your product is to wipe with a soft damp cloth. Stains can be removed using washing up liquid. All bathroom cleaning product (powders and liquids) will damage the surface of your fitting, even the non-scratch cleaners.

*NOTE: Never use abrasive detergents or disinfectants or those containing alcohol, hydrochloric or phosphoric acid.*

### IMPORTANT

Residues of liquid soaps, shampoos, and faucet foams can also cause damage, so rinse with clean water after using.

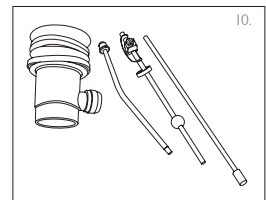
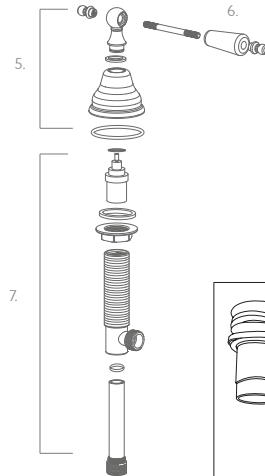
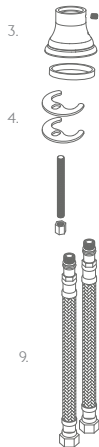
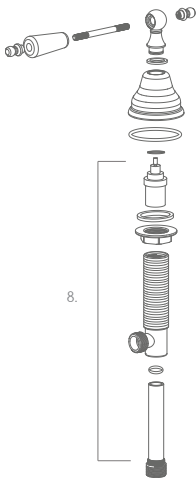
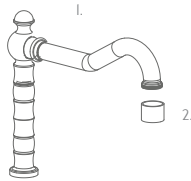
*Please note: if the surface is already damaged, the effect of cleaning materials will cause further damage. Components with damaged surfaces must be replaced or injury could result. Damage caused by improper treatment is not covered under the warranty.*



## SPARE PARTS

If you require replacement parts for your Renaissance product, please contact our service department on (07) 3266 5222 or Email [service@renaissancebathrooms.com.au](mailto:service@renaissancebathrooms.com.au). Alternatively you can order spare parts online at <http://spares.renaissancebathrooms.com.au>

1. Spout S I2I350I12I
2. Aerator - RE 60 AERATOR
3. Base - S25333000I0
4. Spout fixing kit - RE 60 FXKIT
5. Bell assembly - RE 60 BELL
6. Porcelain Lever - SPH - RE 60
7. Hot cartridge assembly SAS5950000I
8. Cold cartridge assembly SAD5950000I
9. Flex hose RE 60 FLX HOSE PAIR
10. Pop up waste kit (Complete)S I02I20I12I



## TROUBLE SHOOTING & FAULT FINDING

In case of failure please consider the following solutions. If the issue persists please contact our service department or your preferred plumber.

### MAINTENANCE

All valve types: - If the fitting begins to drip

1. Turn off the water supply.
2. Remove fitting handle and valve.
3. Carefully clean seating and rubber washer.
4. Replace valve and turn on the water supply.
5. Contact our help line if problem persists.

# WARRANTY INFORMATION

## CONDITIONS

Your Renaissance product is manufactured to the highest quality and Carries a 5 year repair or replacement warranty covering parts only, warranties do not extend to electroplated finish, this can be effected by cleaning cycles – please reference the care and maintenance section for further details on how to clean your Renaissance product. This warranty extends to the original consumer purchaser only. This warranty is non-transferable. This warranty covers only your Renaissance manufactured product and not the Installation. Renaissance will repair at no charge for parts only or, at its option, replace any product or part of the product that proves defective because of improper workmanship and/or material, under normal installation, use, service and maintenance. If Renaissance is unable to provide a replacement and repair is not practical or cannot be timely made, Renaissance may elect to replace the product with an item of similar specification.

## EXCLUSIONS

- A. Conditions, malfunctions or damage not resulting from defects in material or workmanship.
- B. Conditions, malfunctions or damage resulting from (1) normal wear and tear, improper installation, improper maintenance, misuse, abuse, negligence, accident or alteration, or (2) the use of abrasive or caustic cleaning agents or “no-rinse” cleaning products, or the use of the product in any manner contrary to the product instructions. (3) Conditions in the home such as excessive water pressure or corrosion.
- C. Labor or other expenses for the disconnection, deinstallation, or return of the product for warranty service, or for installation or reinstallation of the product (including but not limited to proper packaging and shipping costs), or for installation or reinstallation of the product.
- D. Accessories, connected materials and products, or related products not manufactured by Renaissance.

## WARRANTY OR SERVICE REQUEST

In requesting warranty service, you will need to provide

- 1. The sales receipt or other evidence of the date and place of purchase.
- 2. A completed service request form with accompanying pictures. The form can be obtained by contacting our service department on (07) 3266 5222 or [service@renaissancebathrooms.com.au](mailto:service@renaissancebathrooms.com.au)

Unit 4, 37 Northlink Pl  
Virginia QLD 4014  
Ph. +61 7 3266 5222  
Fx. +61 7 3266 5233

[www.renaissancebathrooms.com.au](http://www.renaissancebathrooms.com.au)  
[sales@renaissancebathrooms.com.au](mailto:sales@renaissancebathrooms.com.au)

In view of the Renaissance Groups policy of continuous improvement, the right is reserved to change the specification, finish or price of products illustrated and described in this publication without notice.

RB

---

RENAISSANCE  
BATHROOMS

---