



# TECHNICAL DATA SHEET



## Heated Towel Rail Two Ladder

### Product Specification

<b>Product Code:</b>	AHC74
<b>Finish:</b>	Chrome, Nickel, Pewter, Gold,
<b>Product Type:</b>	Antique Copper, Rubbed Bronze
<b>Construction:</b>	Traditional
<b>Supply:</b>	Steel & is designed to conform to BS EN 442 Suitable for closed central heating systems
<b>Valve Centres:</b>	385mm
<b>Wall to valve centre:</b>	115mm
<b>Output:</b>	774 BTU (227 Watts)
<b>Dimensions for fitting:</b>	Height: 915mm Width: 610mm



### Additional Information

- AHC74 is Chrome plated to BS EN 248.
- Suitable for closed central heating systems only
- Includes valves in Chrome

**Technical Advice:** For further information please call 1800 111 566 or email [sales@traditionaltaps.com.au](mailto:sales@traditionaltaps.com.au)

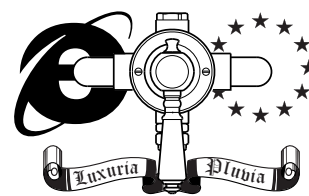
**Guarantee:** 5 years covering manufacturing faults.



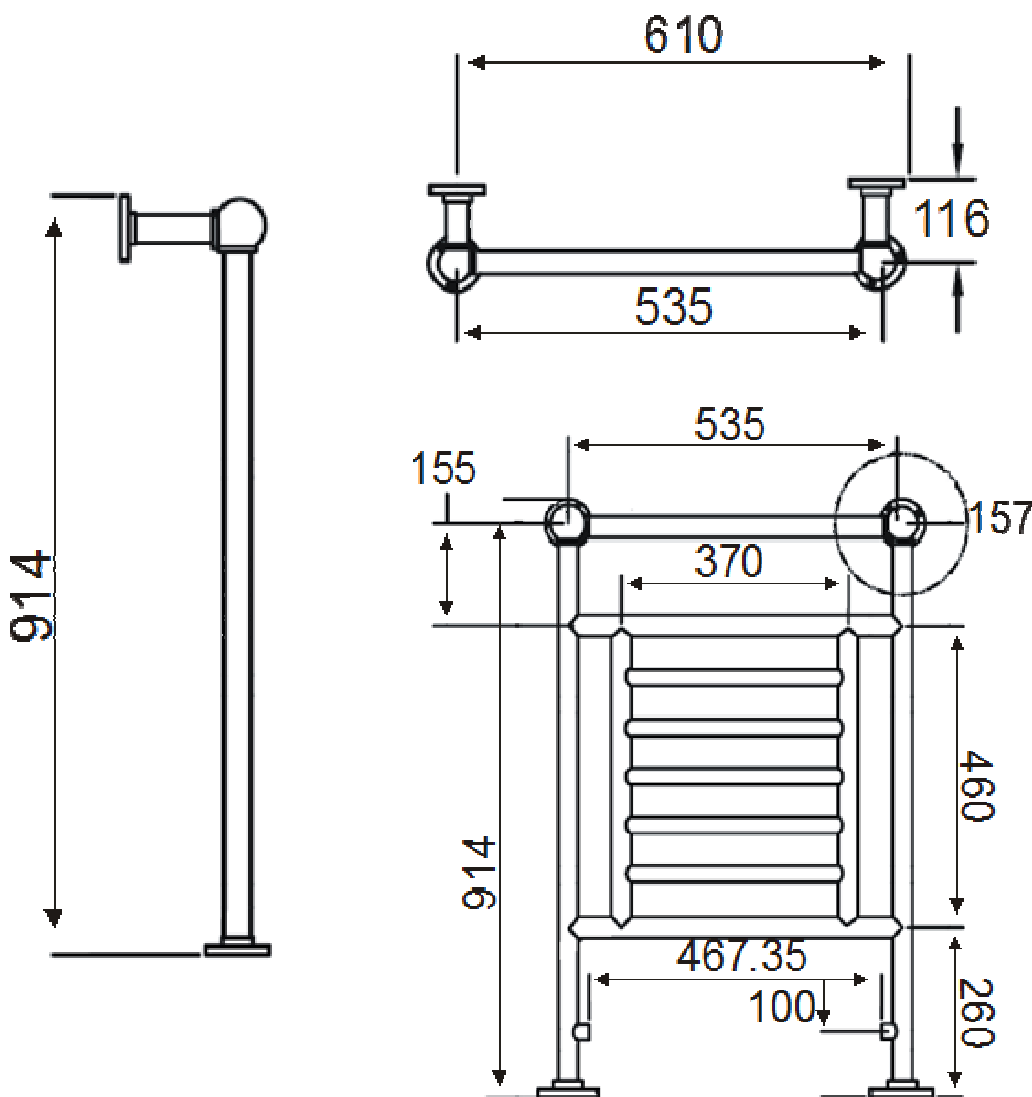


# TECHNICAL DATA SHEET

## Wall Heated Towel Rail



traditionaltaps.com.au



### Technical Advice:

For further information please call 1800 111 566 or email [sales@traditionaltaps.com.au](mailto:sales@traditionaltaps.com.au)

### Guarantee:

5 years covering manufacturing faults.



Web Site: [www.traditionaltaps.com.au](http://www.traditionaltaps.com.au) Email: [sales@traditionaltaps.com.au](mailto:sales@traditionaltaps.com.au)

D3

The information contained on this page was correct at date of issue. Fitting dimensions are provided as a guide only. Some variation may occur due to manufacturing tolerances. Traditionaltaps pursues a policy of continuing improvement in design and performance of its products and so reserves the right to change specifications without prior notice.