

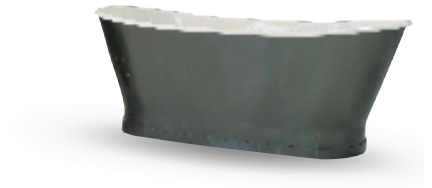


EXCLUSIVE BATH COLLECTION

“Engineering excellence without aesthetic compromise”

EXCLUSIVE FINISHES

Black Oyster



Oyster Metallic



Iceberg Gris



White Pearl



Renaissance Group's 2010 "Exclusive Bath Collection", range of finishes have been hand selected and production techniques benchmarked with leading automotive brands. Real time "luxury item" finishes can now be offered in season on the exterior of your Renaissance bath.

Our painting process is timely and meticulous, with each bath taking 72 hours to complete, with a number of quality checks along the way before a final inspection is carried out. Only after passing final inspection does the bath become a Renaissance product, at which point we proudly attach the quality control certificate and Renaissance emblem to the internal bath enamel.

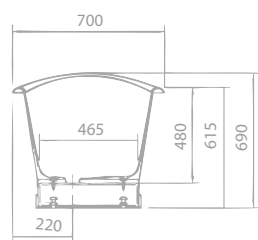
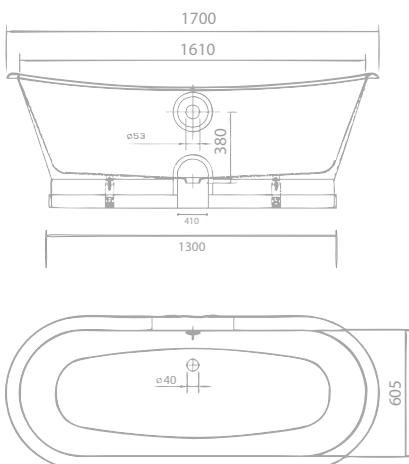
RAW



Black Oyster

The Raw epitomises Renaissance's approach to design: a commitment to engineering excellence without aesthetic compromise. Each model shares the same beautiful form, undeniably modern yet with a direct lineage to some of the great designs of the past.

The Renaissance Raw is recognised as one of the world's most elegant baths, it is perfectly proportioned with long internal bathing space and beautiful external finishing. It's iron apron exterior can be painted in any one of the Exclusive Collections finishes or customized to meet the most intricate requirements of our clients' design brief, with leather, copper and polished metal being produced for recent projects.



SAXON

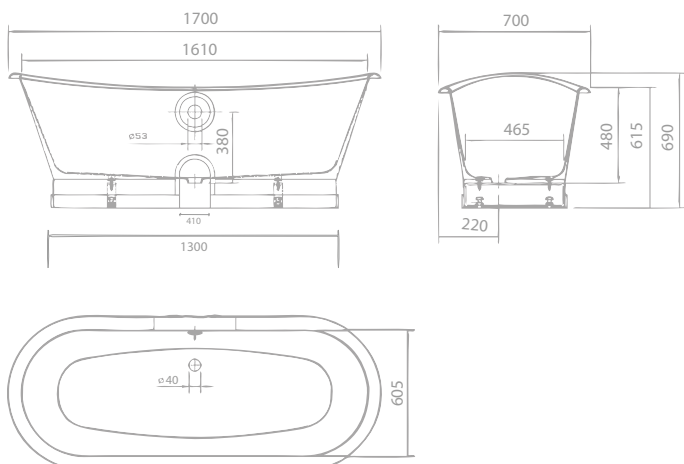


Black Oyster

The Saxon is European cast and hand-finished.

Only craftsmen can deliver the design details and level of finish that Renaissance painters and designers demand, creating a quality that is simply not possible in high-volume manufacture. Hand finished metal domes adorn Saxon's exterior, whilst lustrous vitreous enamel layers generously cover the 12mm casting which is securely fastened within a custom painted apron.

The Renaissance Saxon is one of the world's most beautiful baths; it is perfectly proportioned with long internal bathing space and beautiful external finishing. It can be painted in any one of the Exclusive Collection's finishes or by special arrangement, customised to meet the most intricate requirements of our clients' design brief, Saxon is the perfect bathing partner in luxury bathrooms design.



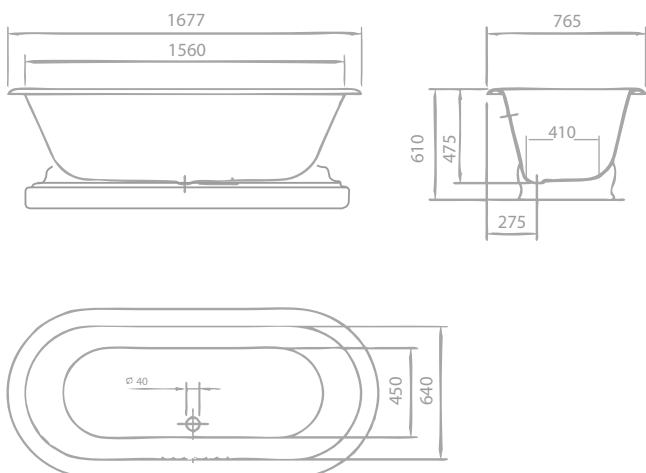
MONET



Black Oyster

Based on the stunning Baroque originally launched in 2005, the Renaissance Monet retains the much loved depth and width, adding contemporary freestanding elegance to create a modern day masterpiece with luxurious bathing specifications that deliver long relaxing soaks.

The Monet's side profile is clean and distinctive, with a single sweep curve that flows to a secured signature plinth, completed in a lustrous finish. Its iron exterior can be painted in any one of the exclusive collection finishes or customised to meet the most intricate requirements of our clients' design brief, Monet is a modern day bathing masterpiece.



CLASSIC COLLECTION

Renaissance "Classic Collection" collates styles of bathing that are synonymous with refined bathroom elegance, and rebirths with relevance when designing modern day bathroom sanctuaries.

Over the past hundred years cast iron has established its place as the ultimate material to achieve the three essential elements of bath design: Comfort, beauty and longevity.

Comfort is achieved throughout all designs by allowing the bather to submerge into a luxuriously deep bath or be safely supported by the ergonomically designed curves of slipper baths.

Beauty is reflected in the lustrous vitreous enamel which is applied moments after the bath has been cast, as a result of this critical fusion at birth, a surface depth that reaches into the casting soul is reflected through the glazed enamel surface.

Longevity: It is a testament to the unique properties of cast iron which has seen it remain the only serious material of choice to manufacture baths from when truly designing with lifetime enjoyment in mind. This is reassuringly underwritten by a 15 year warranty.

All classic collection baths are supported on your choice of nickel, chrome, gold or white ball and claw, imperial or lion feet. Each finish complements a wide range of exterior paint options creating a wide range of feels that can be built to meet your specific design requirements.

Chrome



Nickel



Gold



White



RUSTIC



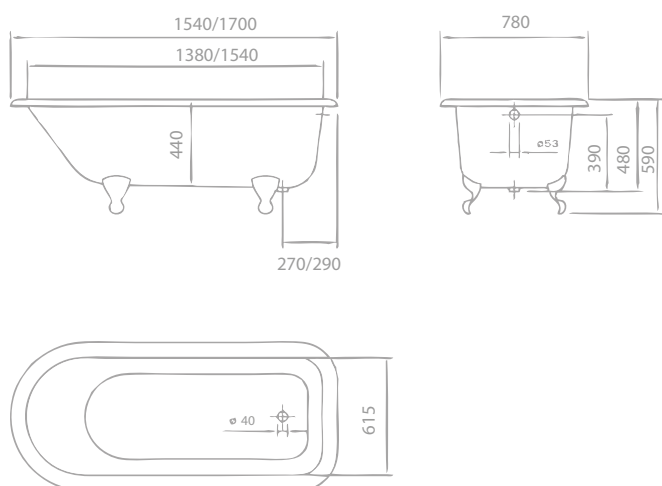
White Lustre

The simple and elegant design of the Rustic conjures romantic images of luxurious bathing traditions of the affluent in past times.

Designed with grace, this timeless style guarantees to bring harmony to the modern day bathroom. The smooth curve of its single roll top allows the bather to relax in comfort, while the claw feet, available in chrome, nickel, white enamel or gold, provide a sense of visual opulence.

The cast iron exterior can be painted in any one of our exclusive collection finishes or be customised to meet the most intricate requirements of our clients' design brief.

Rustic is available in sizes 1370, 1540 or 1700



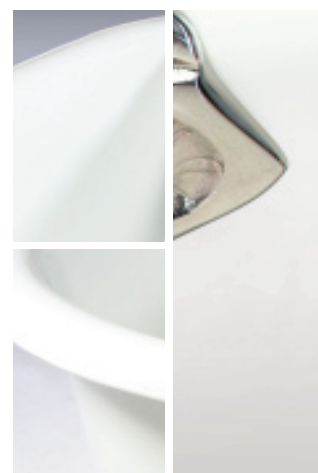
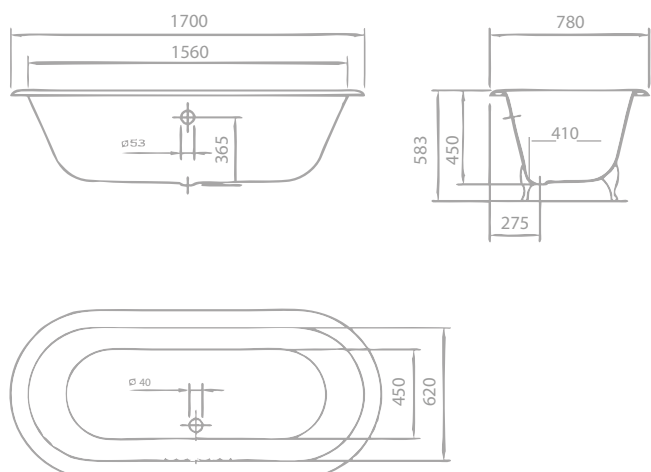
BAROQUE



White Lustre

The perfect poise and ornate beauty of Baroque make it an ageless classic. Its double roll top design creates space for indulgent total body immersion. Strikingly balanced upon a choice of chrome, nickel, white enamel or gold imperial feet, exudes style.

The cast iron exterior of this beautiful bath can be painted in any one of our exclusive collection finishes or be customised to meet the most intricate requirements of our clients' design brief.



ACUTE



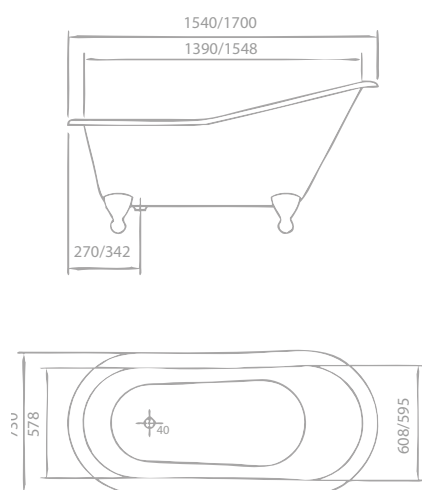
White Lustre

The Acute emanates classical elegance whilst delivering bathing luxury and comfort.

With deep, smooth, sweeping contours, Acute offers a bathing experience so soothing it is as if the curves were molded specifically for you. The slipper shape is reminiscent of historical sumptuous living and retains relevance, sophistication and glamour in today's luxury bathroom designs.

Acute is balanced upon classic intricate ball & claw feet, available in your choice of chrome, nickel, white enamel or gold,

The cast iron exterior can be painted in any one of our exclusive collection finishes or be customised to meet the most intricate requirements of our clients' design brief. The ball and claw feet, available in chrome, nickel, white enamel or gold, complete the luxurious ambience of the Acute, making it a showpiece in any bathroom.



DUETTE

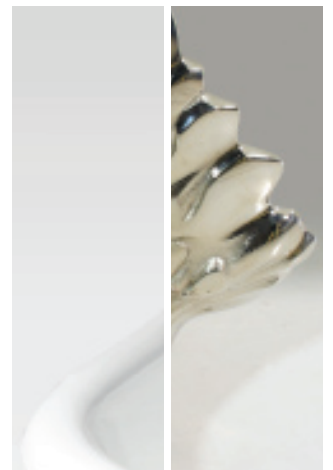
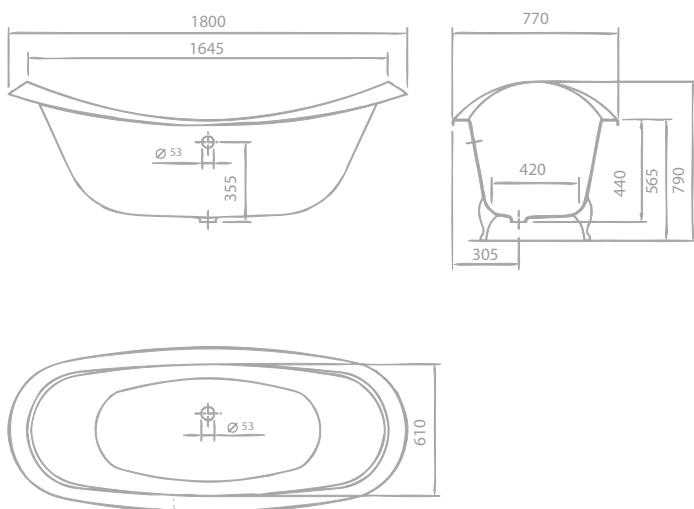


White Lustre

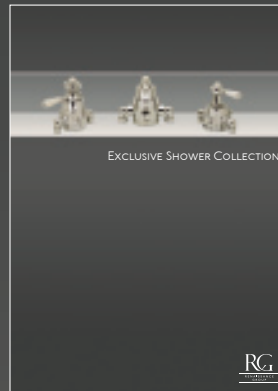
The lavish design of the Duette promises an exceptional bathing experience. With decadent, sweeping curves at each end, space is created for two people to intimately relax, or a self-indulgent opportunity to completely submerge.

The perfect proportions of Duette are balanced upon majestic lion feet, available in a choice of chrome, nickel, white enamel or gold, evoking images of past grandeur while still working in harmony with classically modern bathroom design.

The cast iron exterior can be painted in any one of our exclusive collection finishes or be customised to meet the most intricate requirements of our clients' design brief. The Duette is the personification of luxurious bathing.



OTHER COLLECTIONS



DISTRIBUTED BY



Unit 4, 37 Northlink Pl
Virginia QLD 4014
Ph. +61 7 3266 5222
Fx. +61 7 3266 5233

www.renaissancebathrooms.com.au
sales@renaissancebathrooms.com.au

In view of the Renaissance Groups policy of continuous improvement, the right is reserved to change the specification, finish or price of products illustrated and described in this publication without notice.