



TECHNICAL INFORMATION & WARRANTY

CD I500 ACP
CD I500 ACP-VO
CD I500 ACP-F
CD I500 ACP-RF
CD I500 ACP-RH
CD I500 ACCP- VO
CD-I500 ACCP-F
CD-I500 ACCP

RB

RENAISSANCE
BATHROOMS

PRODUCT DESCRIPTION

The distinct look of Renaissance's shower collection offer contrasting design possibilities. Exposed mixing valves personify timeless elegance whilst concealed mixers discretely reveal classic elements into contemporary environments.

Ceramic disc technology is incorporated into the Renaissance Ceramique shower system and all taps within the faucet collection. The technology eliminates the need for washers within taps and overcomes problems associated with worn washers such as dripping taps.

The discs control the water flow in two ways, firstly by sealing the hot/cold water inlet when the faucet is in the off position, secondly by gliding sideways when the tap is turned on, to create a controlled water inlet, thus allowing water to flow.

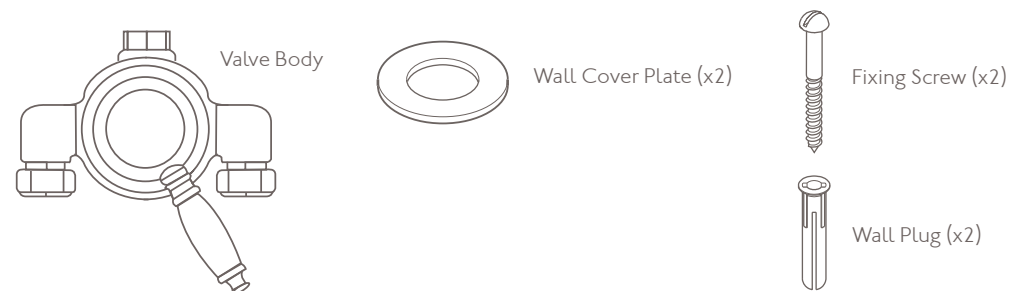
The continuous gliding action of the discs act to remove calcification deposits as soon as they establish a presence, this self cleaning action elongates the lifespan of your shower and ensures long term functionality.

For further information about the Ceramic disc technology please contact your territory distributor or refer to our web site:

www.renaissancebathrooms.com.au

PACKAGE CONTENTS

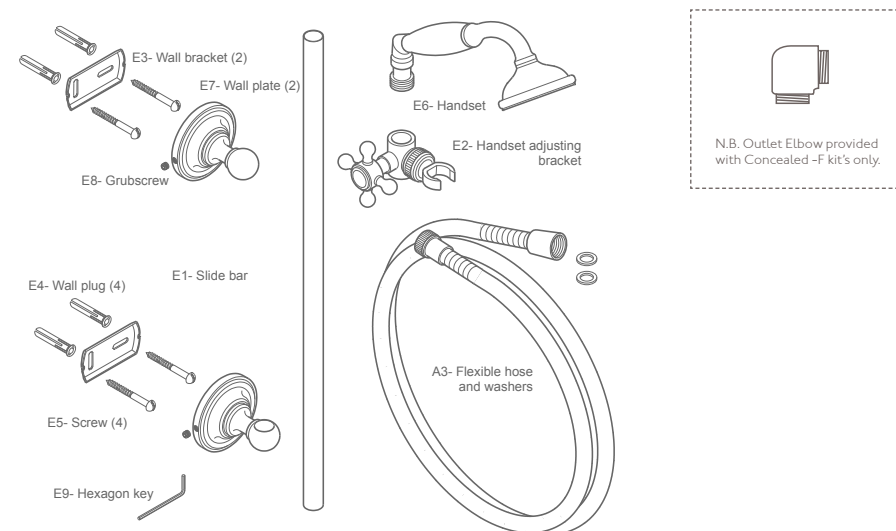
All exposed shower configurations include the following Valve Body kit.



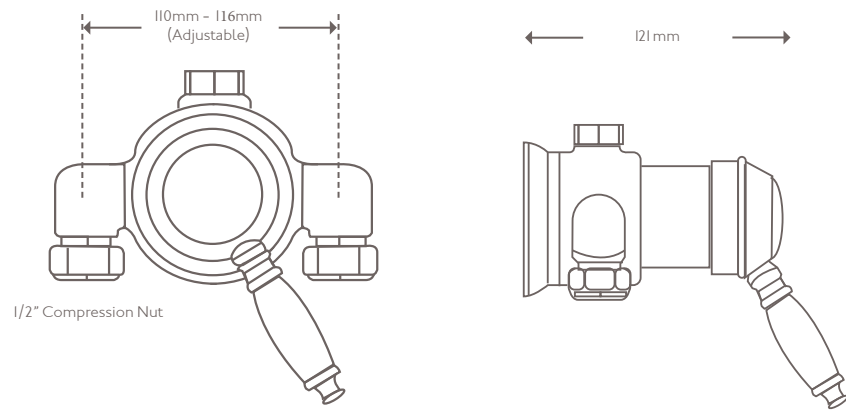
All concealed shower configurations include the following concealed Valve Body kit and fixing kit.



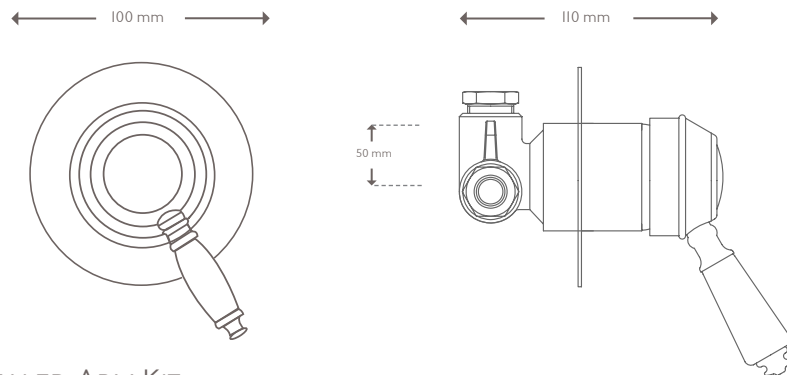
All Flexible and Rigid to Flexible Shower configurations include the following Flexible kit (CD 1500 Models with Suffix -F or -RF)



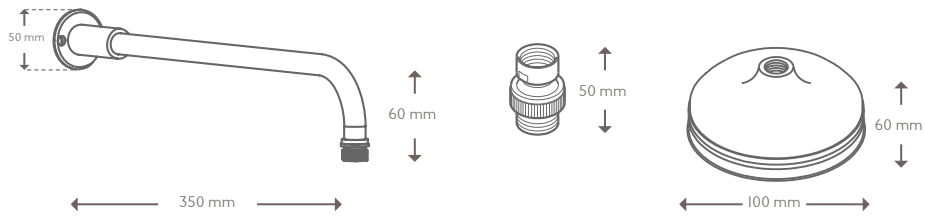
EXPOSED VALVE DIMENSIONS



CONCEALED VALVE DIMENSIONS

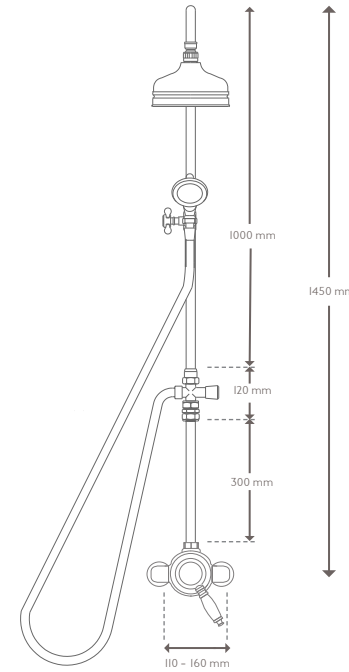


CONCEALED ARM KIT

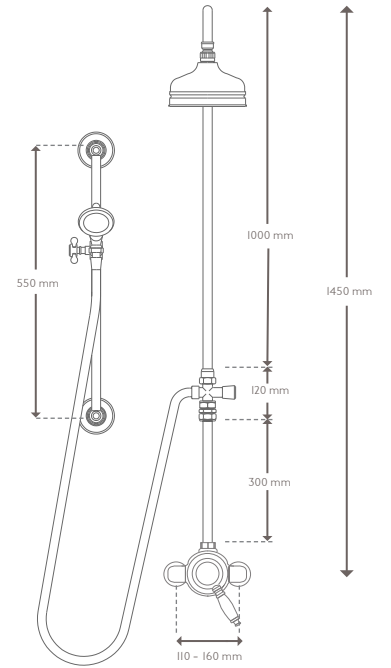


RISER BAR & FLEXI KIT DIMENSIONS

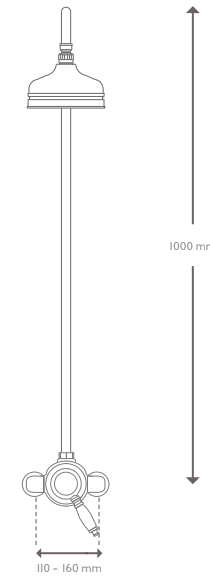
Rigid to Hand Shower (-RH)



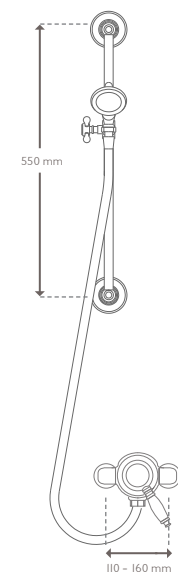
Rigid to Flexible Kit (-RF)



Rigid Kit

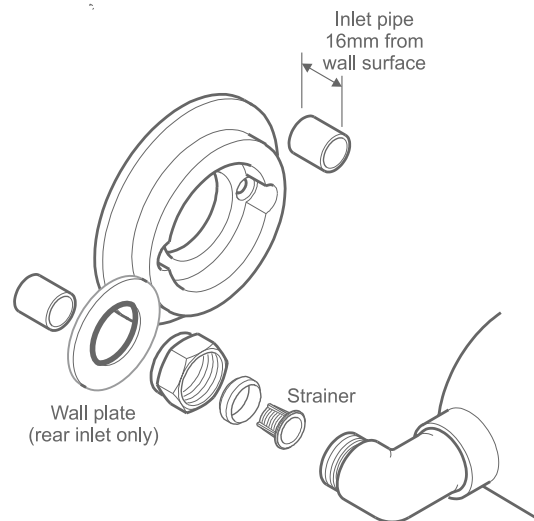


Flexible Kit (-F)



EXPOSED VALVE INSTALLATION INSTRUCTIONS

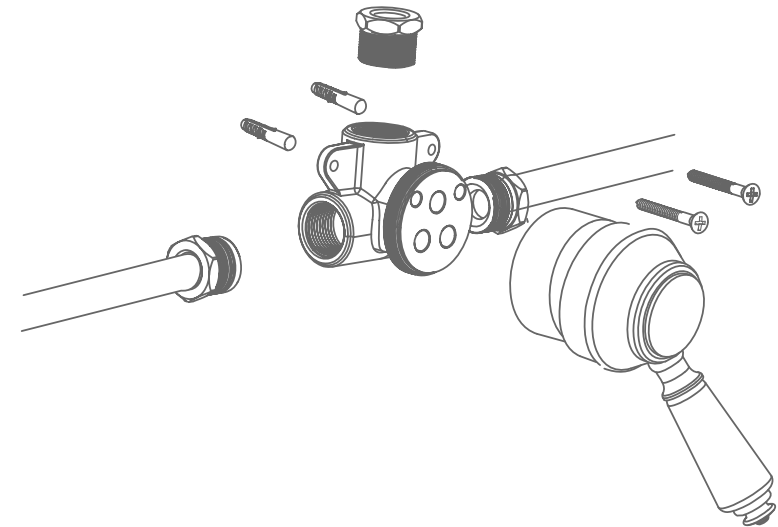
1. Determine the routes of the hot and cold supply pipework. The mixer can be fed from the top, rear or bottom. See Dimensions for pipe inlet centres.
2. Install supply pipework. Accessible isolating valves are recommended for maintenance. Note! Try fit of mixing valve to pipework, each inlet elbow can be unscrewed 1 1/2 turns to allow for adjustment and location.
3. Remove the wall bracket from the rear of the mixer by loosening retaining on the underside of mixer with the hexagon key.
4. Use the wall bracket to mark hole positions. Drill wall and insert suitable wall plugs for fixing screws.
5. Fit bracket to wall using fixing screws. Ensure retaining hole for grubscrew is at the bottom. Important! Ensure supply pipework is flushed to clear debris before connecting mixer. Do not use sealing compounds on connections.
6. Offer mixing valve to pipework and tighten the wall bracket retaining screw.
7. Make connections to inlet supplies. Ensure inlet strainers supplied are fitted.
8. Fit shower kit, see separate installation guide.



CONCEALED VALVE INSTALLATION INSTRUCTIONS

1. If not already installed fit inlet / outlet pipe adaptors to valve body , making reference to dimensions supplied.
 2. Determine the depth that the body will need to be attached to the cavity, making sure the thickness of any Blue Board or Tiles are accounted for so that unrestricted operation of the lever is possible upon final fixing.
 3. If needed, place a nogging between studwork at required depth
 4. Screwfix valve body to the nogging / stud or support frame.
 5. Fix pipework into the inlets / outlets in line with local plumbing regulations
- Remove indice, unscrew phillips screw and remove headwork.
NB. Keep headwork assembly in a safe location until final fixing is required.

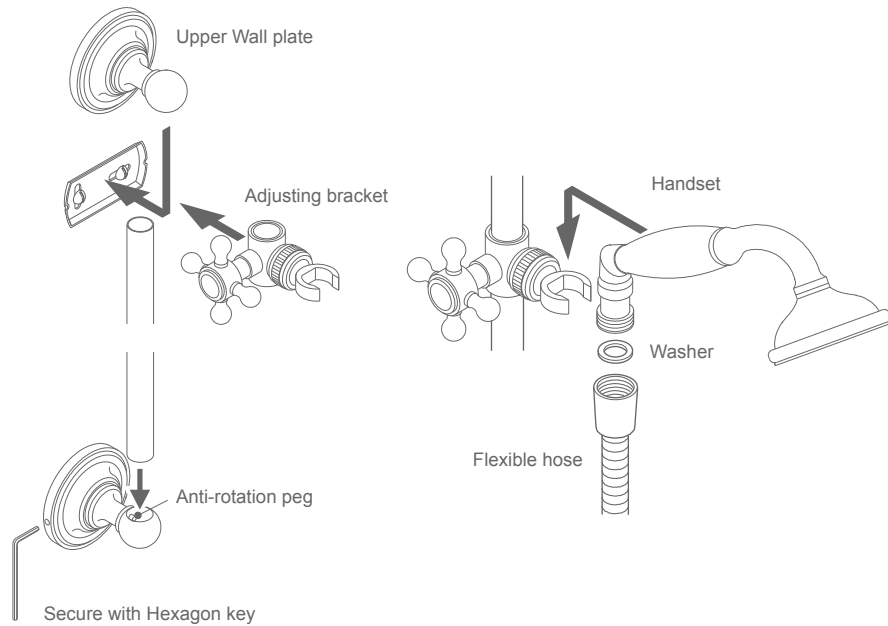
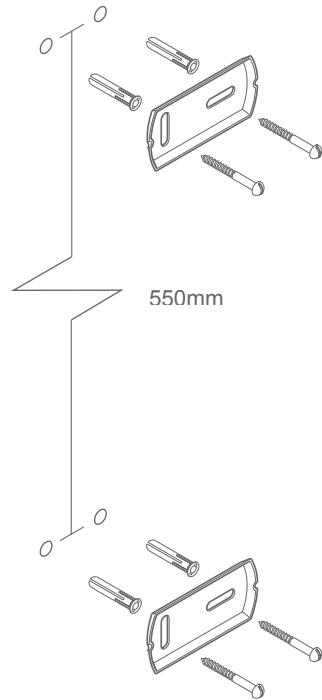
Note: Accessible isolating valves are recommended for maintenance.



FLEXIBLE KIT INSTALLATION INSTRUCTIONS

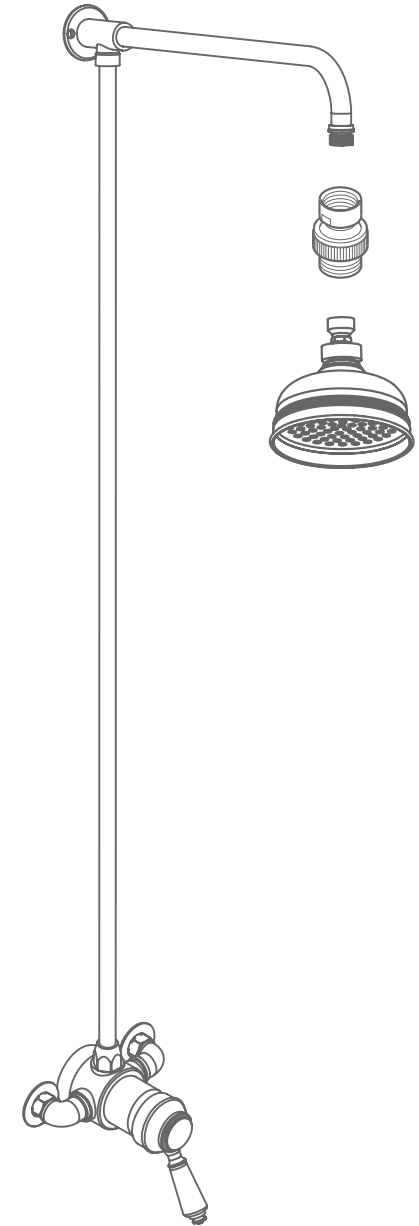
Slide bar kit installation

1. In the desired position for the slide bar mark out 2 holes approximately 550mm vertically apart.
2. Drill and plug holes to suit screws and rawplugs provided. Secure top and bottom wall brackets (E3) to wall.
3. Align top & bottom wall brackets (E3) horizontally and mark remaining two holes.
4. Drill and plug two holes. Secure wall brackets (E3) in position with remaining screws.
5. Place wall plate (E7) over bottom wall bracket (E3) and secure with grubscrew (E8).
6. Slide handset adjusting bracket (E2) over slide bar (E1) and insert slide bar into bottom wall plate (E7).
7. Place top wall plate (E7) over slide bar (E1) and secure to wall bracket (E3) with grubscrew (E8).
8. Once steps (A - E) have been completed, connect handset (E6) to two way diverter (A14) using hose (A3) and place handset (E6) into handset adjusting bracket (E2).

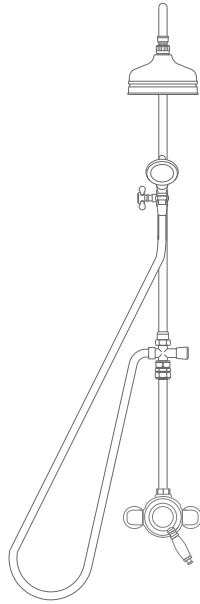


RIGID KIT INSTALLATION INSTRUCTIONS

1. Making reference to sizing guide, Place mixer at required height, ensuring that final shower rose outlet position is at your desired height.
2. Install exposed valve in line with Exposed valve installation instructions as noted on previous pages.
3. Remove outlet nut and olive from top of mixer body. Place riser bar through, pushing firmly into the mixing valve outlet. Tighten nut and olive back onto mixing valve, ensuring riser bar is firmly secured.
4. Firmly push arm on top of the exposed riser bar end. Use a Spirit level or laser guide to ensure your shower arm is positioned straight.
4. Use a marking device to indicate where holes are required to be drilled to secure the arm.
5. Using an appropriate drill piece for the wall material, drill holes and insert wall screw plugs ready for fixing.
6. Firmly attach arm upon riser bar. Screwfixing into position using the screws provided. Tighten compression nut and olive to secure riser bar.
7. Attach the ball swivel and shower rose onto the end of the shower arm.



RIGID TO HAND SHOWER



1. Making reference to sizing guide, Place mixer at required height, ensuring that final shower rose outlet position is at your desired height.

2. Install exposed valve in line with Exposed valve installation instructions as noted on previous pages.

3. Remove nut and olive from valve body, Insert 300mm riser bar into valve body and secure tightly.

4. Remove nut and olive from diverter and attach to riser bar. Ensure this is positioned the correct way with C nut facing down and Hex nut facing upwards. Use a spirit level or laser guide make sure riser bar is straight before tightening.

5. Attach gripper to 1000mm riser bar, tightening loosely.

6. Insert 1000mm Riser Bar into top of diverter. Insert shower arm onto top of Riser Bar. Ensure bar is level using a Spirit Level or laser guide.

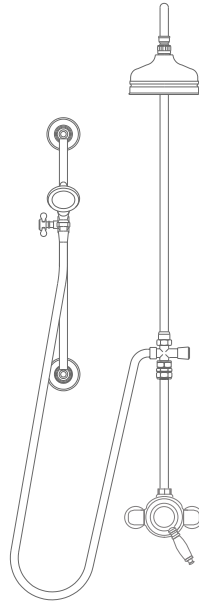
7. Use a marking device to indicate where holes are required to be drilled to secure the arm.

8. Remove shower arm. Using an appropriate drill piece for the wall material, drill holes and insert wall screw plugs ready for fixing.

9. Firmly attach arm upon riser bar. Screwfixing into position using the screws provided. Tighten compression nut and olive to secure riser bar at both arm and diverter ends.

10. Attach the ball swivel and shower rose onto the end of the shower arm. Attach hand shower onto diverter outlet. Tighten gripper and place hand shower in gripper.

RIGID TO FLEXIBLE KIT



1. Making reference to sizing guide, Place mixer at required height, ensuring that final shower rose outlet position is at your desired height.

2. Install exposed valve in line with Exposed valve installation instructions as noted on previous pages.

3. Remove nut and olive from valve body, Insert 300mm riser bar into valve body and secure tightly.

4. Remove nut and olive from diverter and attach to riser bar. Ensure this is positioned the correct way with C nut facing down and Hex nut facing upwards. Use a spirit level or laser guide make sure riser bar is straight before tightening.

5. Attach gripper to 1000mm riser bar, tightening loosely.

6. Insert 1000mm Riser Bar into top of diverter. Insert shower arm onto top of Riser Bar. Ensure bar is level using a Spirit Level or laser guide.

7. Use a marking device to indicate where holes are required to be drilled to secure the arm.

8. Remove shower arm. Using an appropriate drill piece for the wall material, drill holes and insert wall screw plugs ready for fixing.

9. Firmly attach arm upon riser bar. Screwfixing into position using the screws provided. Tighten compression nut and olive to secure riser bar at both arm and diverter ends.

10. Install Hand Shower Riser Bar as per installation instructions on previous page.

11. Attach the ball swivel and shower rose onto the end of the shower arm. Attach hand shower onto diverter outlet. Tighten gripper and place hand shower in gripper.

CLEANING RECOMMENDATIONS

Renaissance recommends the use of soapy warm water only to clean your product. If additional cleaning is required due to a long non cleaning period please be guided by the below.

Modern lavatory faucets, kitchen faucets, and showers consist of very different materials to comply with the needs of the market with regard to design and functionality. To avoid damage and returns, it is necessary to consider certain criteria when cleaning.

CLEANING MATERIALS

Acids are a necessary ingredient of cleaning materials for removing lime, however please pay attention to the following points

when cleaning faucets and showers:

- Only use cleaning materials which are explicitly intended for this type of application.
- Never use cleaning materials which contain hydrochloric, formic, phosphoric, or acetic acid, as they cause considerable damage.
- Never mix one cleaning material with another.
- Never use cleaning materials or appliances with an abrasive effect, such as unsuitable cleaning powders, sponge pads, or micro fiber cloths.

WARNING: If your product is electroplated in a different finish to chrome, take exceptional care to use non corrosive and non abrraisive cleaning products. If you are unsure always test on a small area underneath the product out of sight.

CLEANING INSTRUCTIONS

Please follow the cleaning material manufacturer's instructions. In addition, pay attention to the following points:

- Clean the faucets and showers as and when required
- Use the amount of cleaning product and the amount of time recommended by the manufacturer. Do not leave the cleaner on the fixture longer than necessary.
- Regular cleaning can prevent calcification.
- When using spray cleaners, spray first onto a soft cloth or sponge. Never spray directly onto the faucet as droplets can enter openings and gaps and cause damage.
- After cleaning, rinse thoroughly with clean water to remove any cleaner residue.

IMPORTANT

Residues of liquid soaps, shampoos, and shower foams can also cause damage, so rinse with clean water after using. Please note: if the surface is already damaged, the effect of cleaning materials will cause further damage.

Components with damaged surfaces must be replaced or injury could result.

Damage caused by improper treatment is not covered under the warranty.

COMMISSIONING

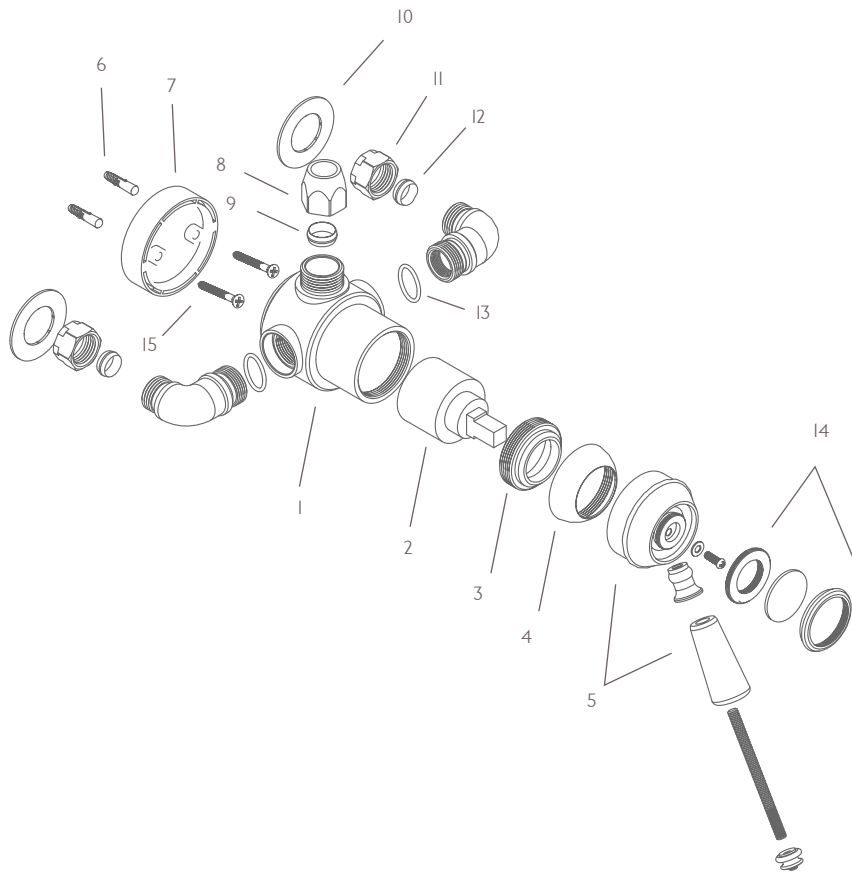
There is no internal temperature or flow adjustment for this product.

SPARE PARTS

If you require replacement parts for your Renaissance product, please contact our service department on (07) 3266 5222 or Email service@renaissancebathrooms.com.au. Alternatively you can order spare parts online at www.renaissancebathrooms.com.au

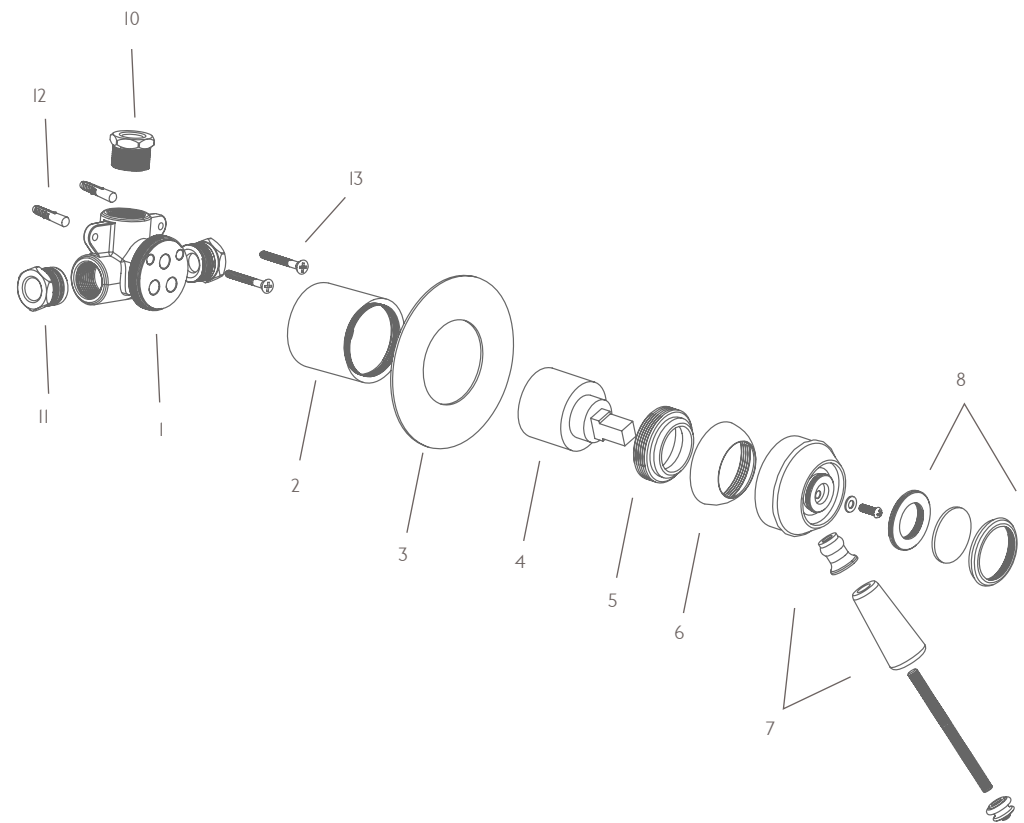
EXPOSED VALVE BODY PARTS

- | | |
|--------------------------|------------------------|
| 1. Valve Body | 8. Top Compression Nut |
| 2. Ceramic Cartridge | 9. Compression Olive |
| 3. Cartridge Holding Nut | 10. Cover Flange |
| 4. Nut Dressing Ring | 11. Elbow Nut |
| 5. Lever Assembly | 12. Elbow Olive |
| 6. Wall Plugs | 13. Elbow O-Ring |
| 7. Backing Plate | 14. Indice Assembly |
| | 15. Fixing Screws |



CONCEALED VALVE BODY PARTS

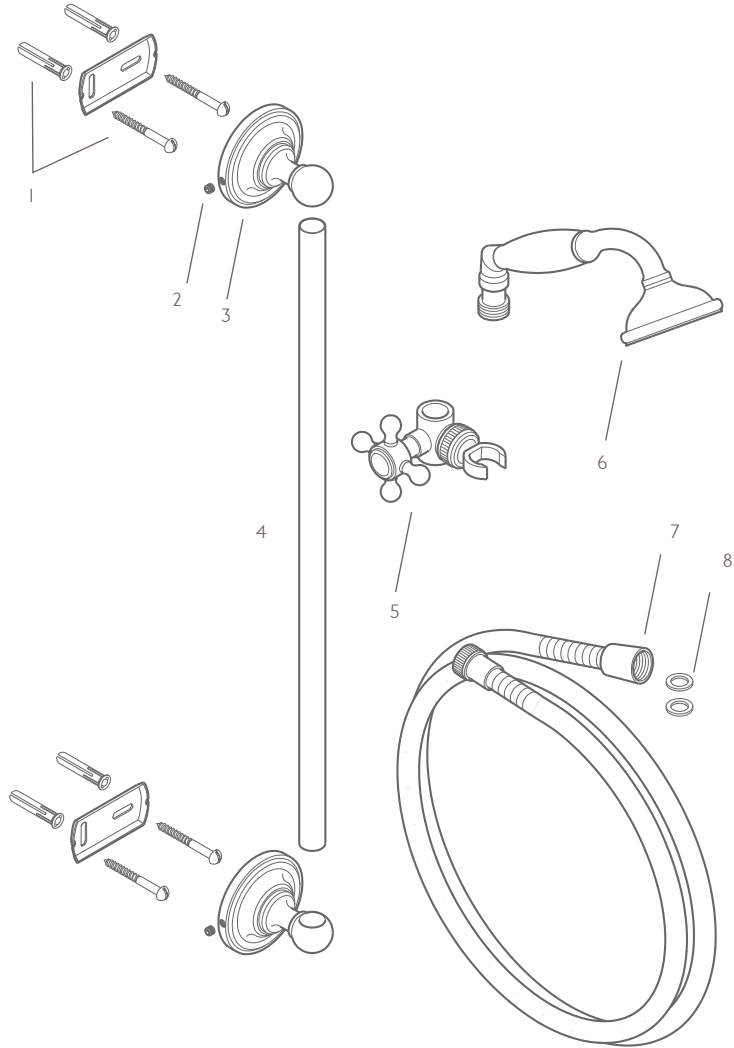
- | | |
|-----------------------------|--------------------|
| 1. Valve Body | 9. Indice Assembly |
| 2. Ceramic Cartridge Casing | 10. Outlet Adaptor |
| 3. Concealing Plate | 11. Inlet Adaptors |
| 4. Ceramic Cartridge | 12. Wall Plug |
| 5. Cartridge Holding Nut | 13. Fixing Screws |
| 6. Nut Dressing Ring | |
| 7. Lever Assembly | |



FLEXIBLE SHOWER PARTS

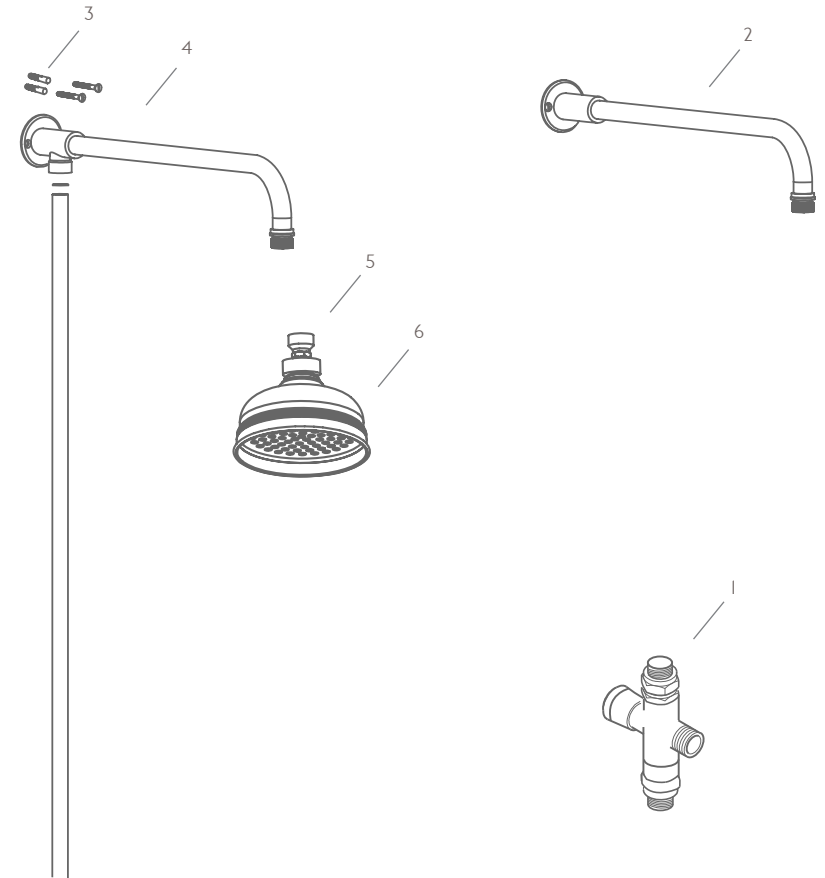
1. Wall Mount Kit
2. Grub Screw
3. Riser Bar Bracket
4. Riser Bar

5. Hand Shower Riser Holder
6. Hand Shower
7. Flexible Hose
8. Fibre Washers



RISER BAR KIT PARTS

1. Diverter
2. Concealed Shower Arm (KITCRA-CP)
3. Fixing Screws (x2)
4. Exposed Arm
5. Ball Swivel
6. Shower Rose (SH-4)



TROUBLE SHOOTING & FAULT FINDING

In case of failure please consider the following solutions. If the issue persists please contact our service department or your preferred plumber.

LOW OR NO WATER PRESSURE

Make sure you have water pressure throughout the house and that it is not an issue with your water system. Check other water fixtures in the bathroom, for example the basin taps. If there is no pressure from the basin tap then your issue will lie with your water system. You will need to contact your preferred plumber.

If you have adequate water pressure throughout the house. Low or no pressure from your shower may be a result of the following:

I. Limescale or Grime build up between the ceramic discs. Attempt to flush the disc out by removing the cartridge. To remove the cartridge first make sure your mains water is off, then follow this procedure.

- A.) Unscrew the Indice with your hand.
- B.) There will be a phillips head screw. Remove this to then take off the lever assembly. Be careful not to lose the screw / washer.
- C.) Remove the dressing ring.
- D.) Using a shifter then remove the plastic holding nut.
- E.) Remove the cartridge and flush water through the inlets.
- F.) Re-assemble the mixer following steps D through to A in reverse order.

Attempt to use the shower again. If you continue to experience problems you will most likely require a replacement cartridge. To order a replacement please contact our service department on (07) 3266 5222

2. Blocked Elbows

The elbows could be blocked with water grime or dirt. To check the elbows you will need to remove the mixer from the wall. Make sure your mains water is off then to remove the mixer please follow this procedure.

- A.) Using a shifter undo the compression nuts at the end of the elbow connecting the inlets to the copper and the outlet nut.
- B.) Use an allen key to remove the top and bottom grub screws which hold the body into the backing plate.
- C.) Gently remove the body and unscrew the elbows. Inspect the filters / flow limiters for grime build up.

If you require replacement elbows please contact our service department.

NB. If your shower is a Concealed model, you will need to contact a registered plumber.

POOR HOT / COLD WATER MIXTURE

This could be a result of either the hot or cold water inlets being blocked or issues with the ceramic cartridge. Please attempt the Low or No water pressure procedures.

LEAKING SHOWER

The optimal water pressure for the shower is 10-500kpa. If your pressure is above this it will cause the shower to drip. To reduce water pressure you will need to install a pressure reducing valve, which can be obtained from and installed by your local plumber.

If your water pressure is within this range, the leak may be a result of limescale build up in the ceramic disc cartridge or cartridge failure. Please attempt Part I of the low or no water pressure procedure as stated above.

WARRANTY INFORMATION

CONDITIONS

Your Renaissance product is manufactured to the highest quality and Carries a 15 year repair or replacement warranty covering parts only, warranties do not extend to electroplated finish, this can be effected by cleaning cycles – please reference the care and maintenance section for further details on how to clean your Renaissance product. This warranty extends to the original consumer purchaser only. This warranty is non-transferable. This warranty covers only your Renaissance manufactured product and not the Installation. The warranty is held by your territory distributor who will repair at no charge for parts only or, at its option, replace any product or part of the product that proves defective because of improper workmanship and/or material, under normal installation, use, service and maintenance. If the territory Renaissance distributor is unable to provide a replacement and repair is not practical or cannot be timely made, they may elect to replace the product with an item of similar specification.

EXCLUSIONS

- A. Conditions, malfunctions or damage not resulting from defects in material or workmanship.
- B. Conditions, malfunctions or damage resulting from (1) normal wear and tear, improper installation, improper maintenance, misuse, abuse, negligence, accident or alteration, or (2) the use of abrasive or caustic cleaning agents or “no-rinse” cleaning products, or the use of the product in any manner contrary to the product instructions. (3) Conditions in the home such as excessive water pressure or corrosion.
- C. Labor or other expenses for the disconnection, deinstallation, or return of the product for warranty service, or for installation or reinstallation of the product (including but not limited to proper packaging and shipping costs), or for installation or reinstallation of the product.
- D. Accessories, connected materials and products, or related products not manufactured by Renaissance.
- E. Your local Country or State consumer rights remain

WARRANTY OR SERVICE REQUEST

In requesting warranty service, you will need to provide

1. The sales receipt or other evidence of the date and place of purchase.
2. A completed service request form with accompanying pictures. The form can be obtained by contacting your country and state distribution partner or place of purchase. For assistance locating please e-mail service@renaissancebathrooms.com.au

Unit 4, 37 Northlink Pl
Virginia QLD 4014
Ph. +61 7 3266 5222
Fx. +61 7 3266 5233

www.renaissancebathrooms.com.au
sales@renaissancebathrooms.com.au

In view of the Renaissance Groups policy of continuous improvement, the right is reserved to change the specification, finish or price of products illustrated and described in this publication without notice.

RB

RENAISSANCE
BATHROOMS
