

3D DAIKIN *FIT* KIT

General Overview and Assembly Guide

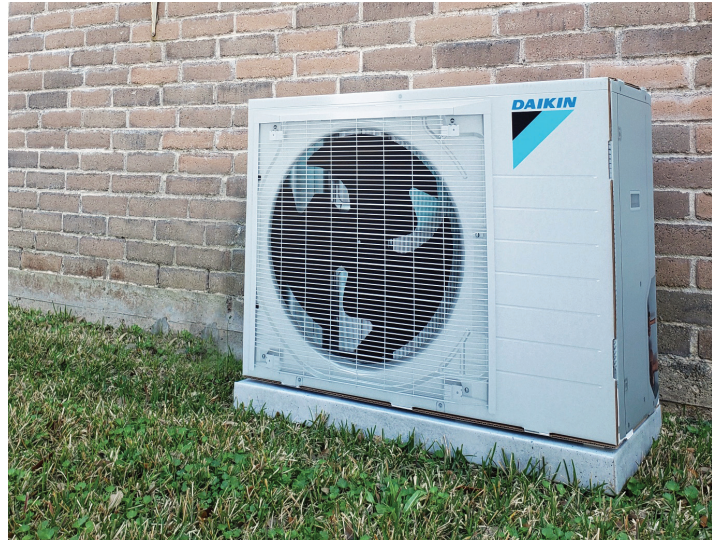
The 3D Daikin *Fit* kit has been developed to help approach sales opportunities a bit differently. Below are a few examples of how the 3D Daikin *Fit* Kit can be used.

- » Place the 3D Daikin *Fit* prominently in your parts center or near an entrance for guests to interact and take photos (#DAIKINFIT).
- » Load the Daikin *Fit* up and take it on the road.
- » Place the 3D Daikin *Fit* next to an existing outdoor unit to show a real-life comparison of the small footprint. For sound comparison, you can view the Daikin *Fit* video on YouTube here: bit.ly/DaikinFitSystemVideo.
- » New home or renovation? Move the 3D Daikin *Fit* unit around to find an ideal location.

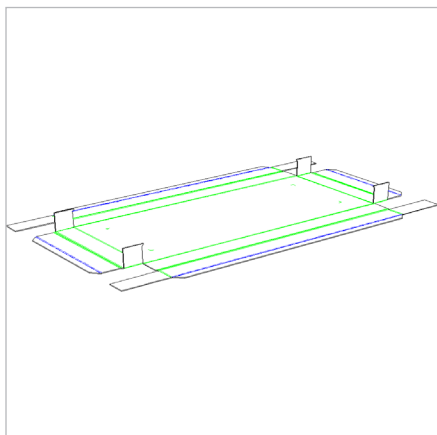
**PLEASE FOLLOW THE STEPS FOR ASSEMBLY
BEGINNING ON PAGE 2**



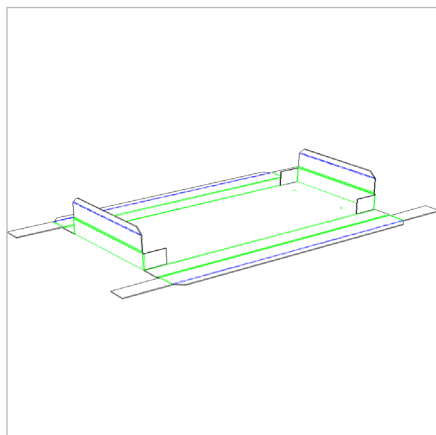
Scan QR Code or visit
bit.ly/DaikinAirIntelligence to
connect with us on Facebook



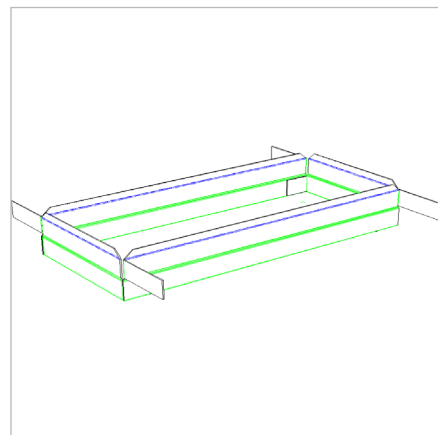
ASSEMBLY GUIDE - BASE



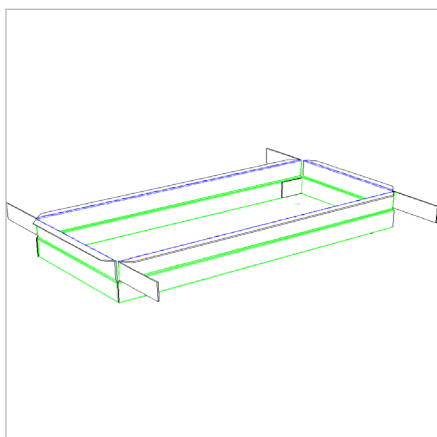
1 Fold up flaps



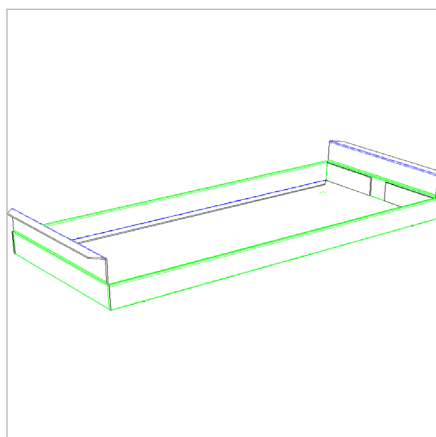
2 Fold up width panels



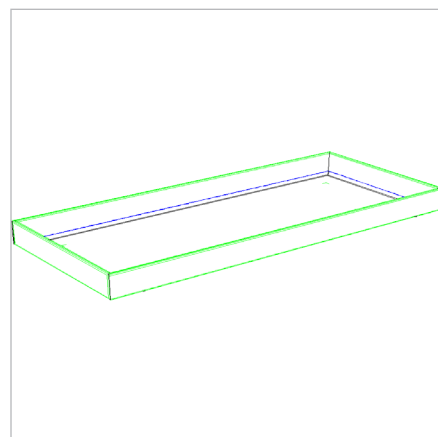
3 Fold up length panels, then fold out internal flaps



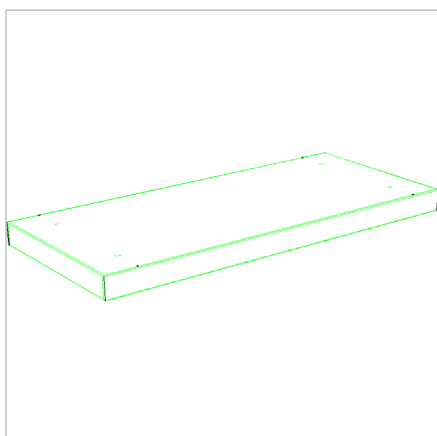
4 Fold out bottom flaps



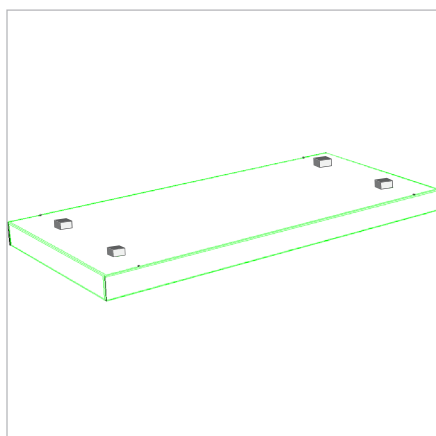
5 Roll over length panels, internal flaps should be in front of width panels



6 Roll over width panels, bottom flaps should lock by nesting next to adjacent bottom flaps



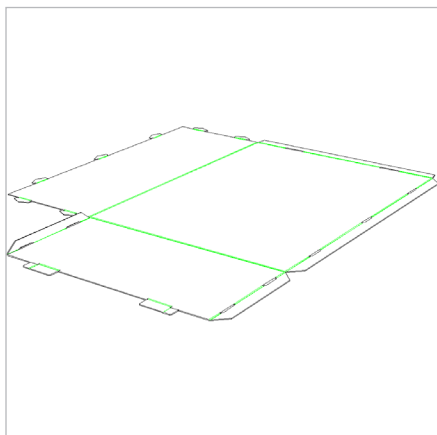
7 Flip base over



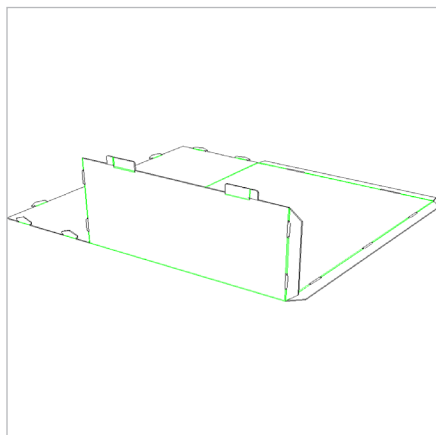
8 Place double sided tape foam blocks in designated areas on the base

CONTINUE TO THE NEXT PAGE FOR THE FIT BOX ASSEMBLY GUIDE

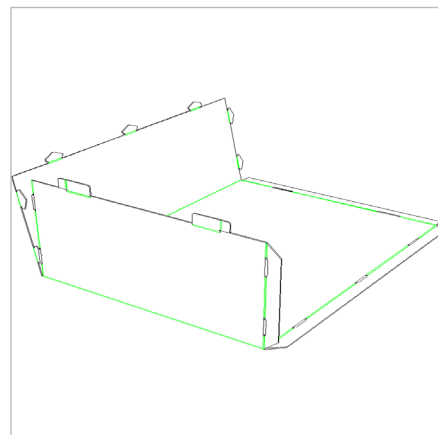
ASSEMBLY GUIDE - FIT BOX



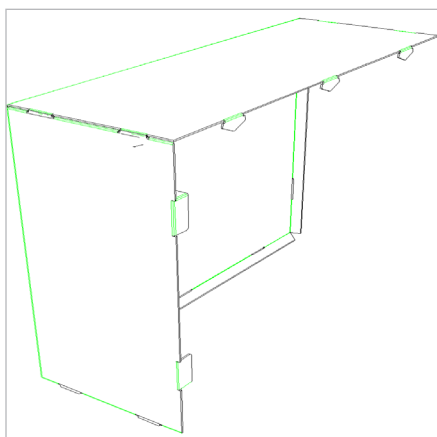
1 **SIDE A:** Fold up width panel flap



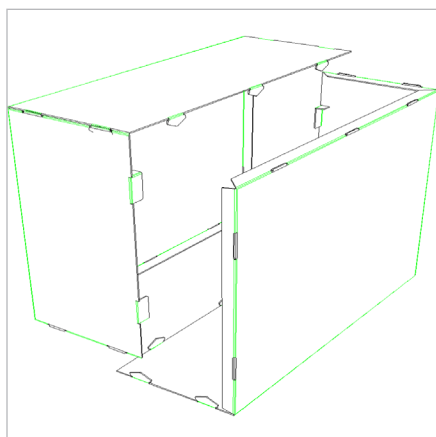
2 **SIDE A:** Fold up width panels



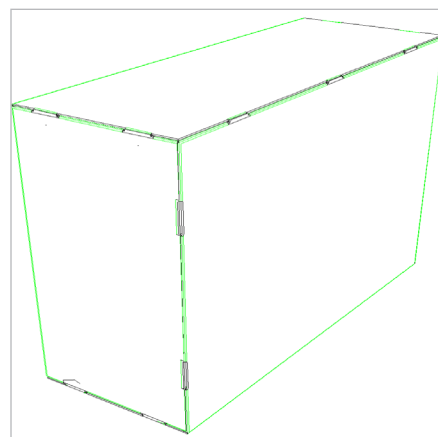
3 **SIDE A:** Fold up length panels, then fold out internal flaps



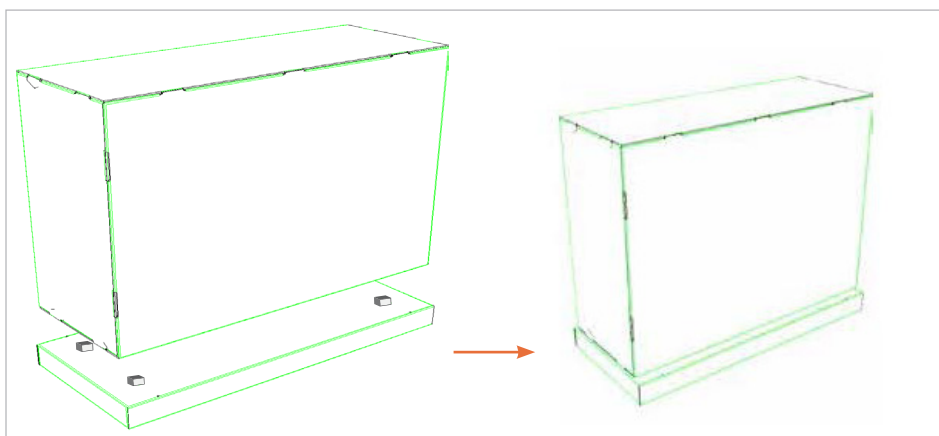
4 **SIDE A:** Fold over other flaps to prepare for adding other panel assembly



5 **SIDE B:** Repeat steps 1-4 for the other side



6 Lock the two assembled sides together with locking tabs



7 Place assembled 3D Daikin *Fit* on the foam blocks (ontop of the assembled BASE)



ONCE ASSEMBLED, YOU'RE READY TO GET FIT!

TO ORDER MORE 3D DAIKIN FIT KITS, SCAN THE QR CODE OR VISIT:
[BIT.LY/DAIKIN3DFITKITS](https://bit.ly/DAIKIN3DFITKITS)



DAIKIN

Our continuing commitment to quality products may mean a change in specifications without notice.

© 2019 **DAIKIN NORTH AMERICA LLC** · Houston, Texas · USA · www.daikincomfort.com or www.daikinac.com

PF-3DFITKIT 04-19