

ICON Spraydeck 'Custom Fit' Order Form

If you have ordered an ICON spraydeck and requested a Custom Fit, please supply the following information so we can complete your order. Please send scan or photo of completed form to customfit@iconsports.eu

Contact

Your Name _____

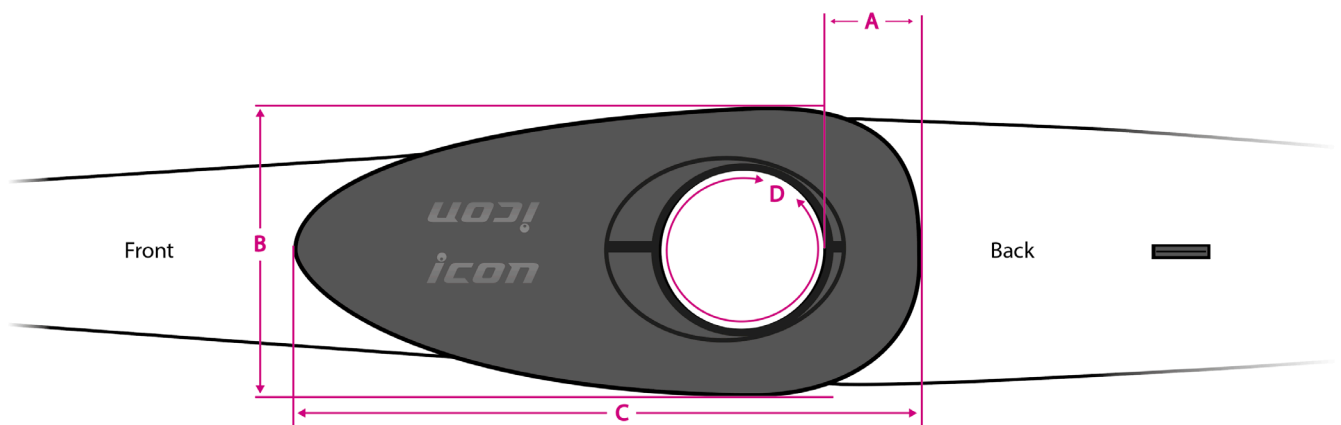
Email Address _____

Contact Phone No. _____

Spraydeck Model Ordered	Have You Ordered Braces?
Sprint Pro Rio Gold, White <input type="checkbox"/>	Yes <input type="checkbox"/>
Sprint Pro Racing, Black <input type="checkbox"/>	No <input type="checkbox"/>
Sprint Pro Racing, Blue <input type="checkbox"/>	
Zip Pro Performance, Black <input type="checkbox"/>	
Zip Pro Performance, Blue <input type="checkbox"/>	

Cockpit Measurements

Please provide the following precise measurements A, B, C & D obtained from the *outer edges* of your kayak's cockpit(s) in CENTIMETRES (cms).



A = from your lower spine to rear edge of cockpit rim _____ cms

B = the absolute width of cockpit _____ cms

C = the absolute length of cockpit _____ cms

D = circumference of your waistline _____ cms

Please check and confirm the information you have provided is correct to ensure your ICON Custom Fit Spraydeck is manufactured to your exact custom requirements as mistakes cannot be rectified later.