

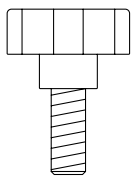
ESSENTIAL Extension

Assembly Guide



Tablelab

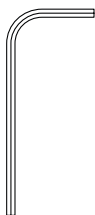
4 x Finger screw



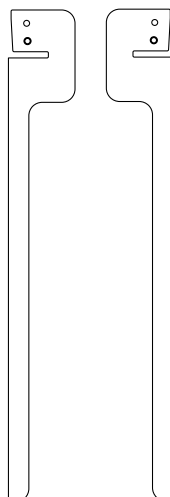
6 x Bolts



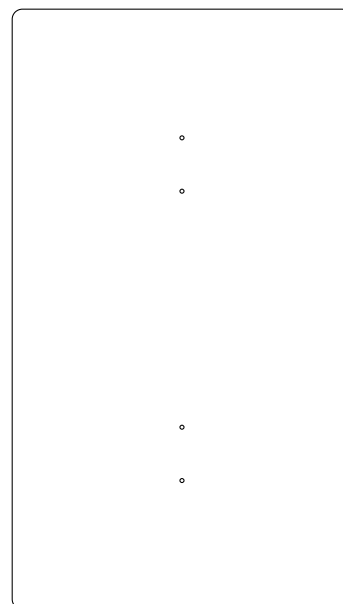
Hex key



2 x Brackets



Extension



2 x U shaped brackets



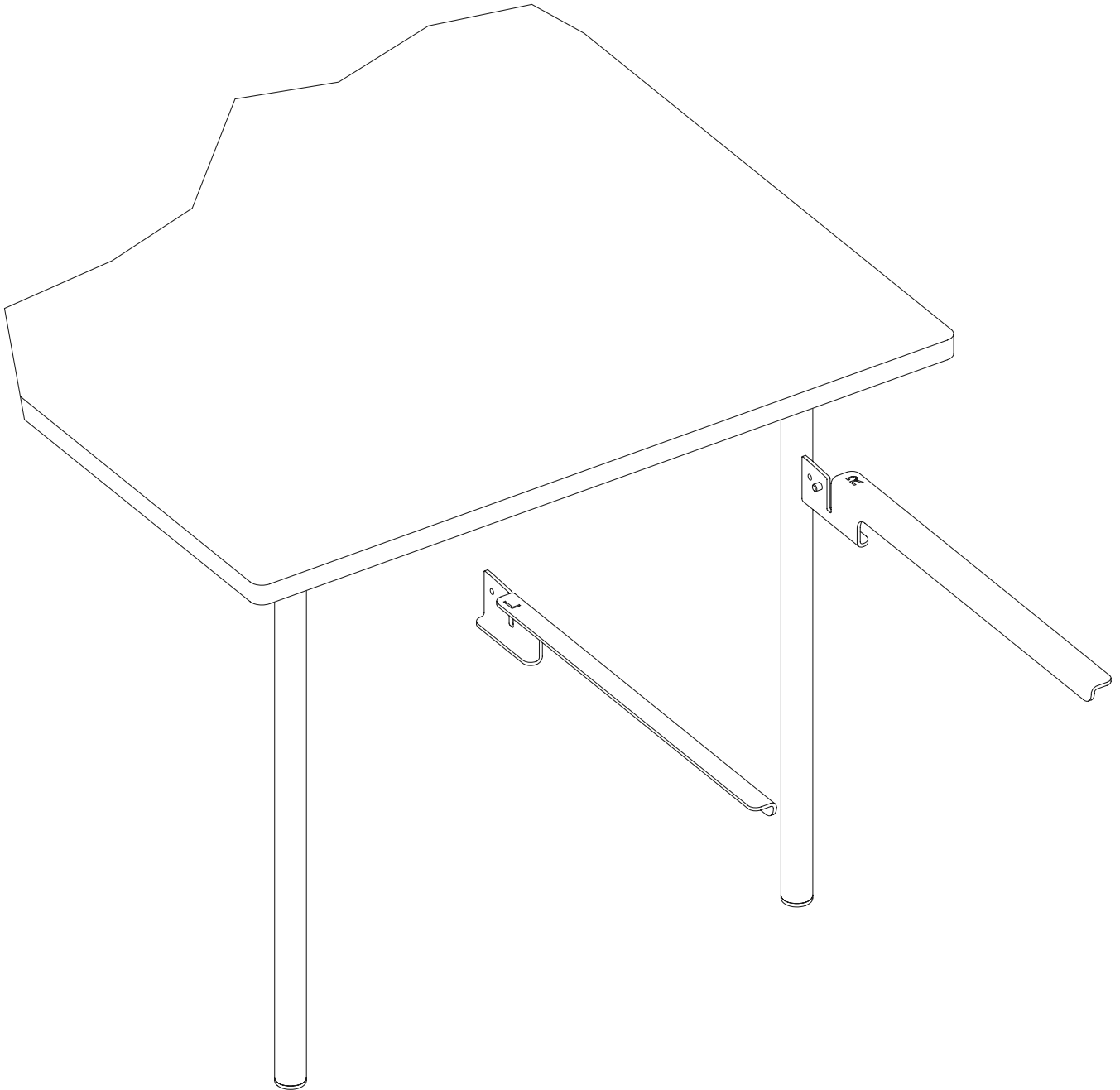
Overview

Please follow the assembly instructions in this folder and keep it for future reference, to ensure that the product is used correctly.

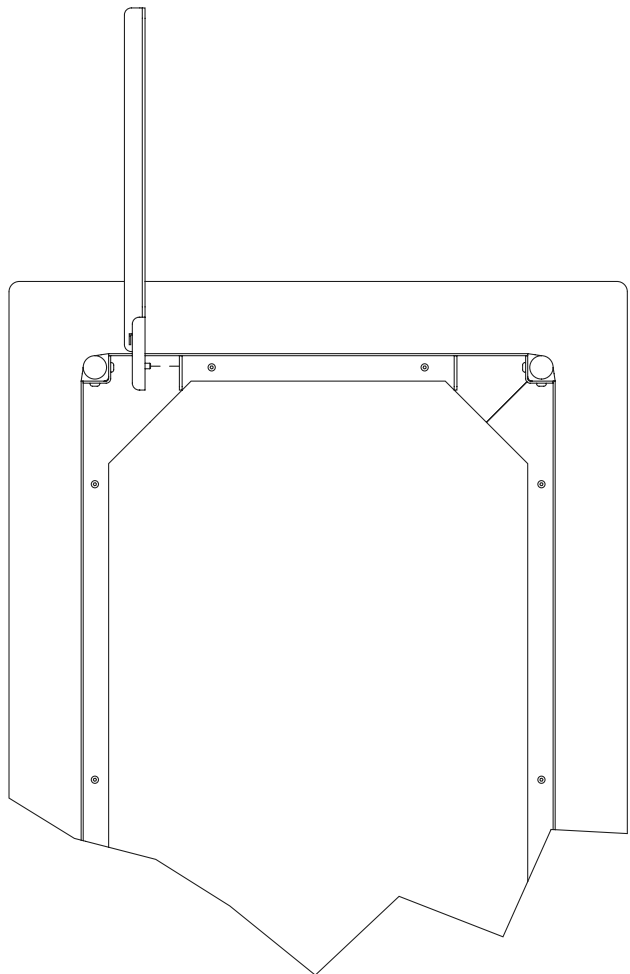
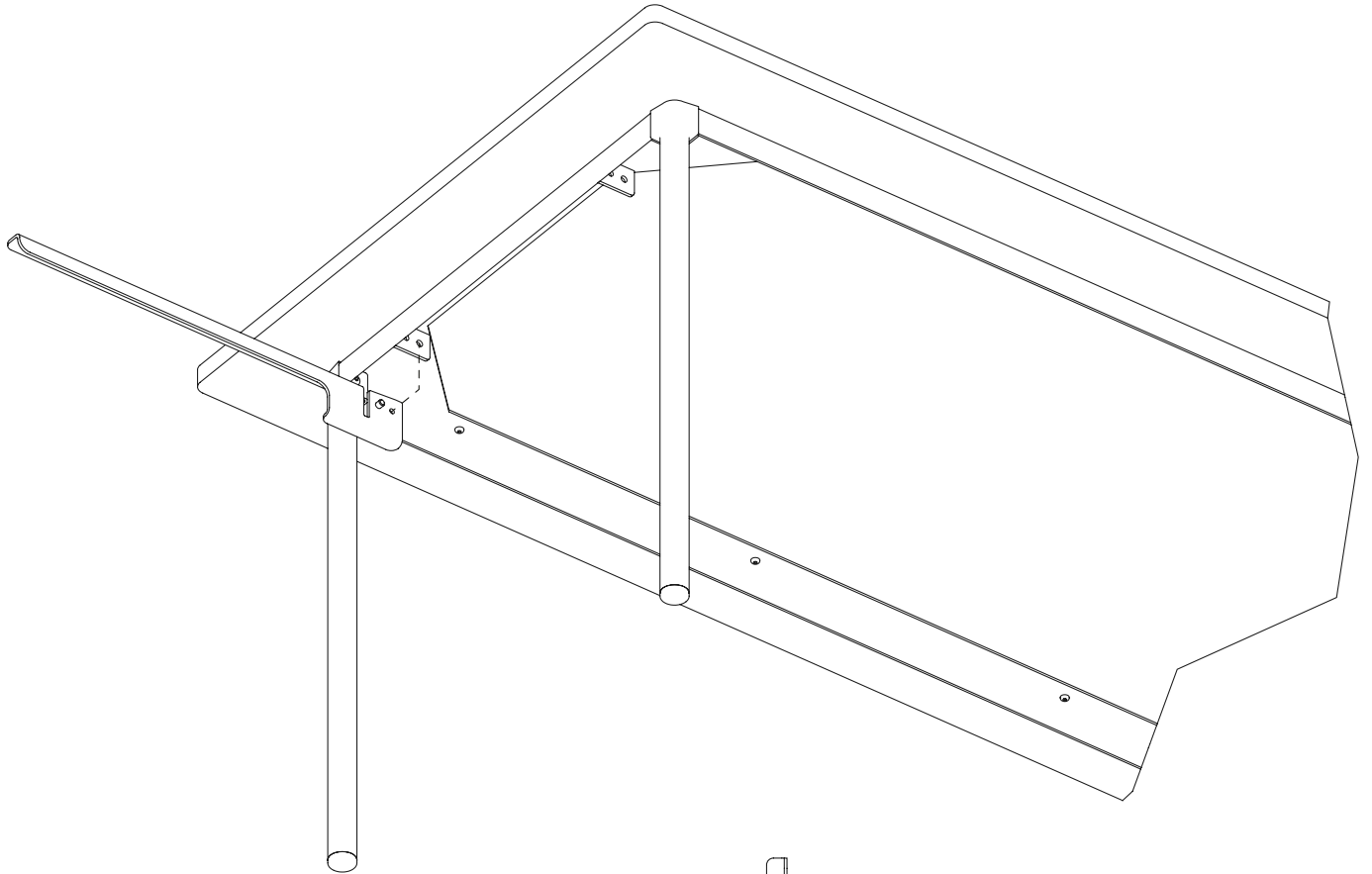
While assembling and attaching the dining table extension you should not rest, stand or walk on any parts of the product. When you have unpacked the modules do not allow children to play with it. The table extension is designed for indoor use only, and its appearance should not be modified in any way.

Disassembly

Reverse the mentioned steps.

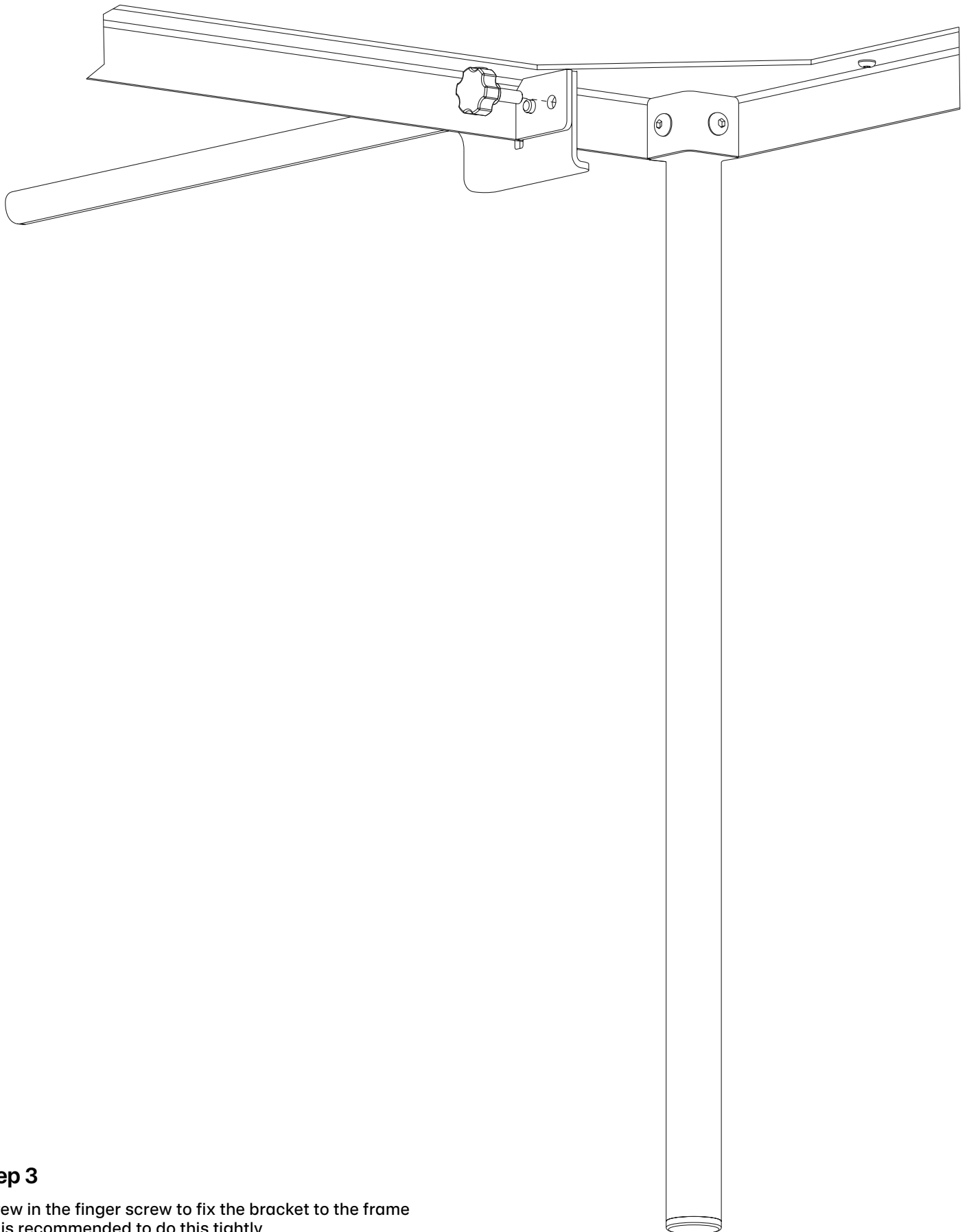
**Step 1**

The two brackets are marked with L for left and R for Right to indicate the correct position the brackets are to be attached - it is recommended to attach the brackets one at a time.



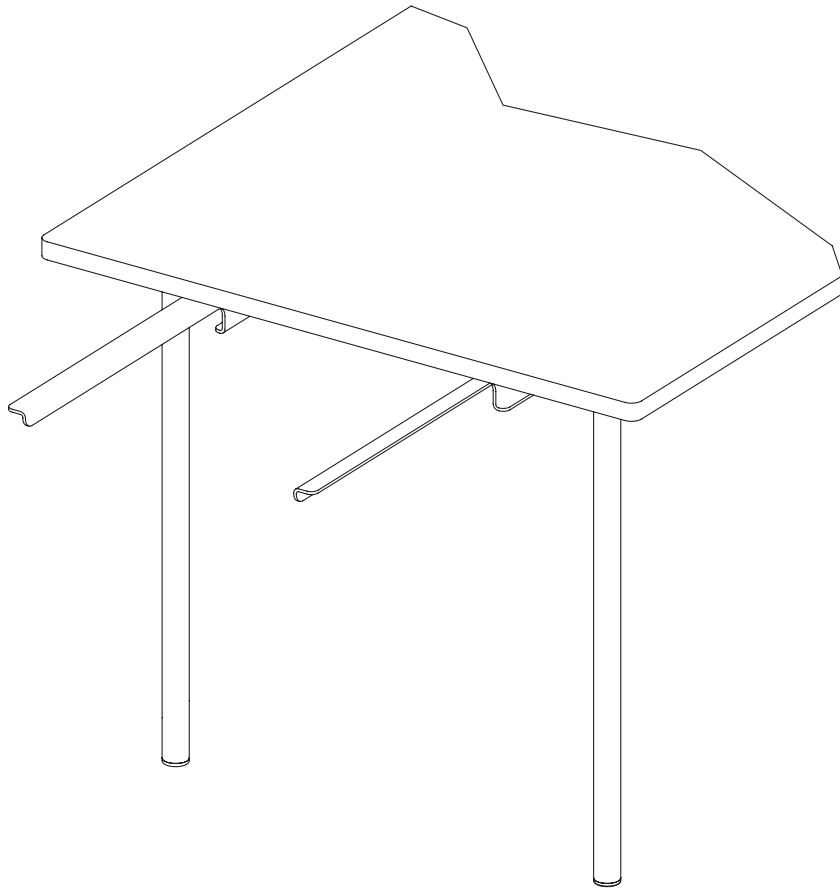
Step 2

Place the bracket in the fitting receiver holes in the frame.



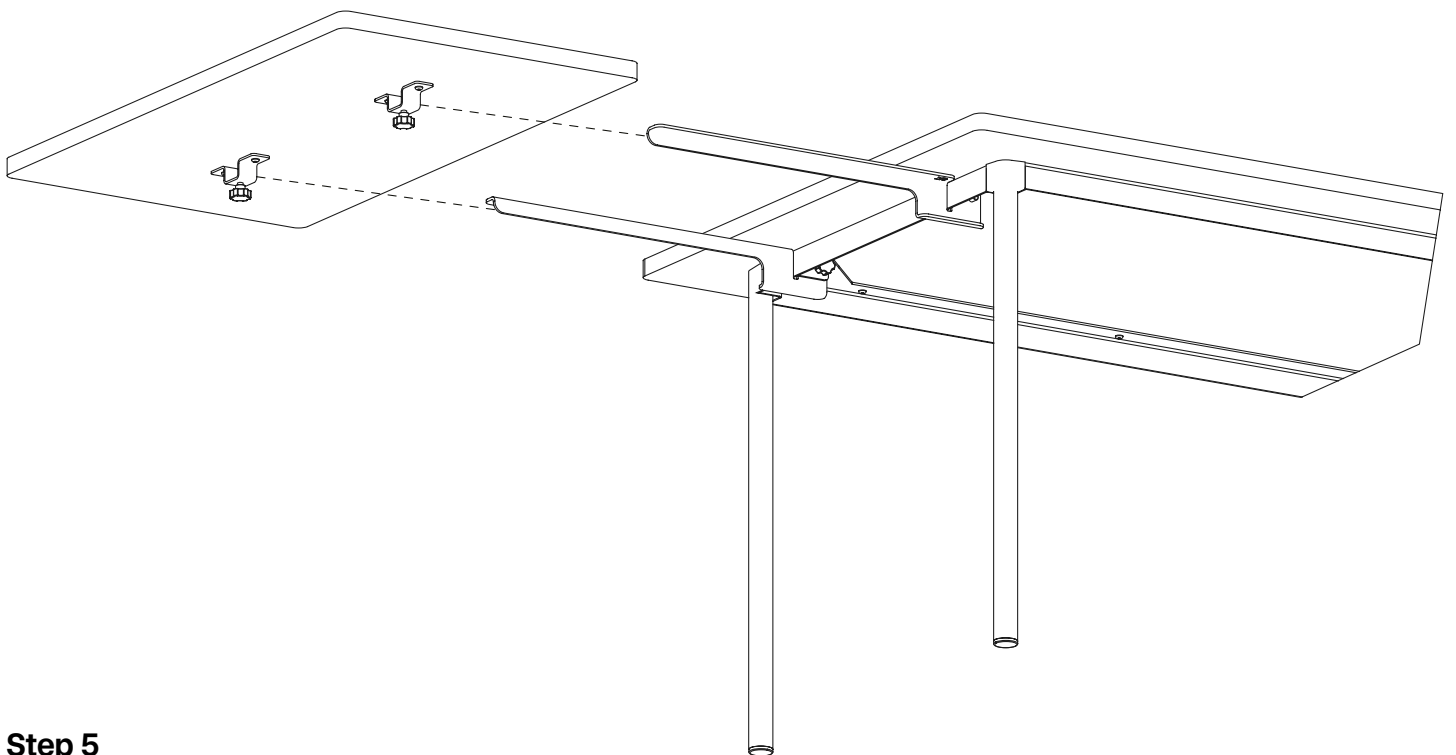
Step 3

Screw in the finger screw to fix the bracket to the frame
- it is recommended to do this tightly.



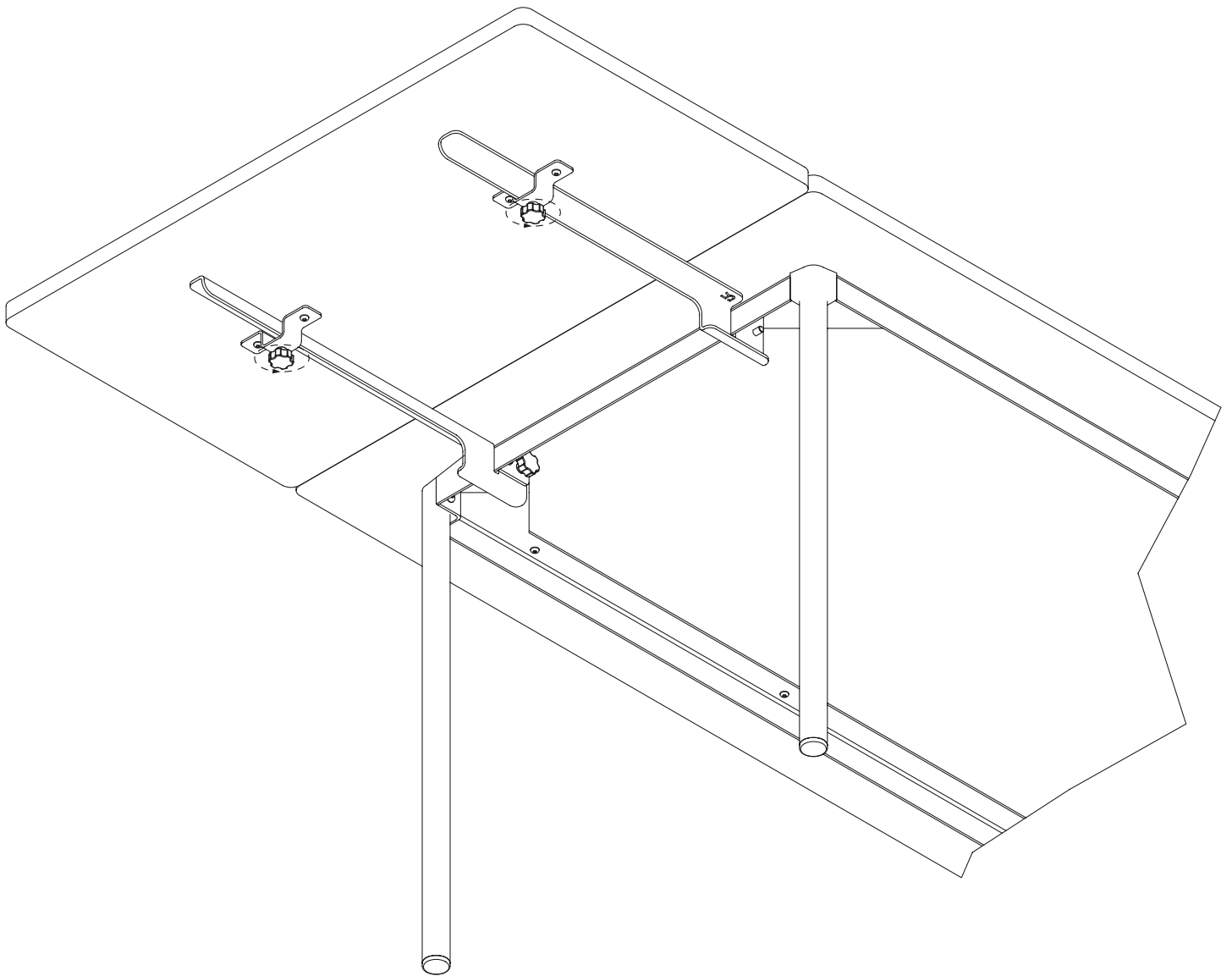
Step 4

Repeat steps with the other side bracket.



Step 5

Mount the small U shaped brackets to the add-on plate itself - align the holes with the bracket already mounted to the frame.



Step 6

Tighten finger screw under the plate to lock it in place.



Tablelab

tablelab.com