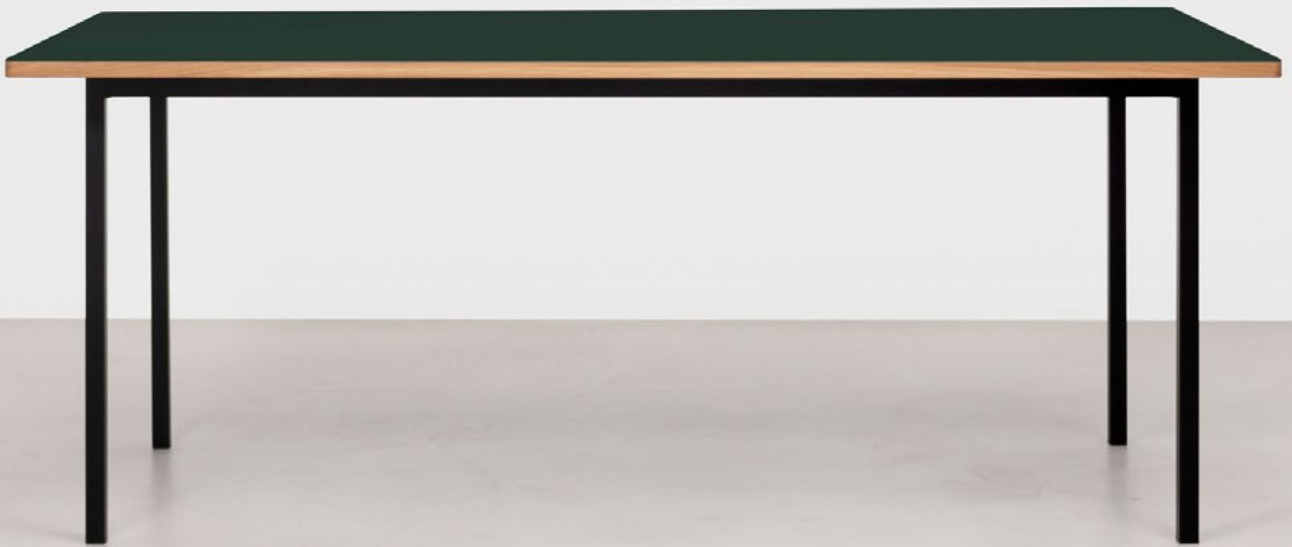


ESSENTIAL Dining Table

Assembly Guide



Tablelab

10 - 16 x frame bolt

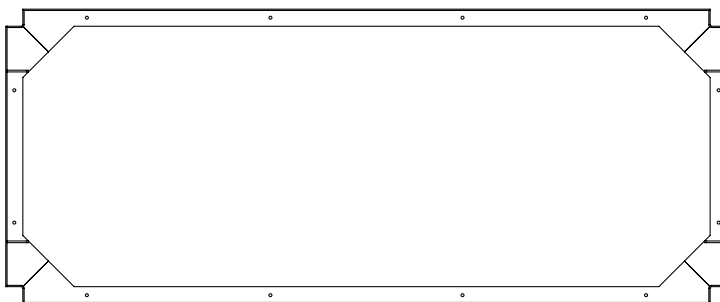


M6 x 20 bolt
For attaching the frame to the tabletop. The number of bolts depends on the size of the table.

Hex key



Frame



8 x leg bolt



M8 x 20 bolt
For attaching the legs to the frame

4 x leg

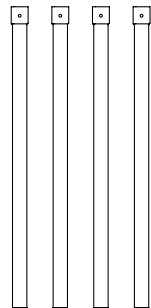
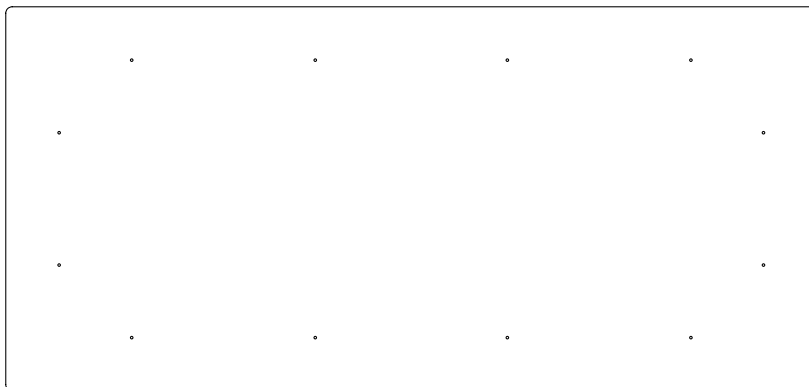


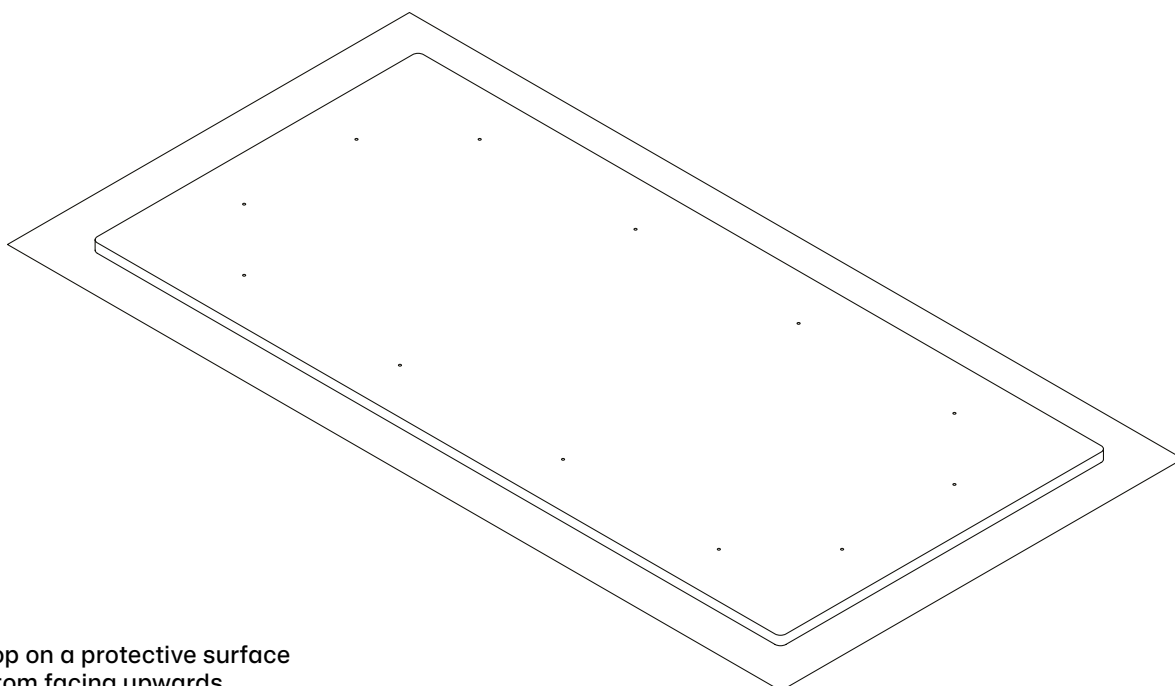
Table top



Overview

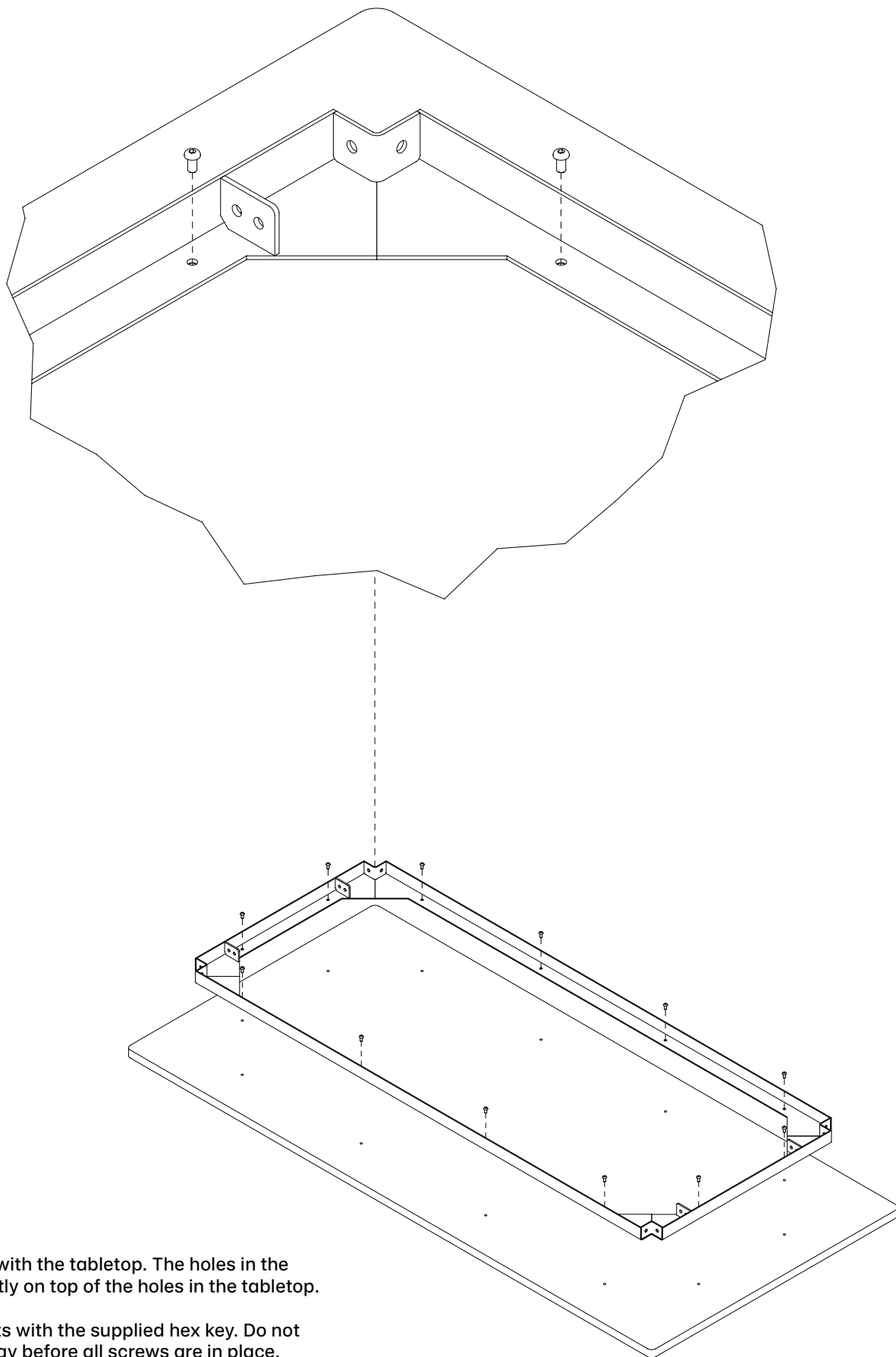
Please follow the assembly instructions in this folder and keep it for future reference, to ensure that the product is used correctly. It is recommended to do the assembly on a protective surface or carpet to avoid scratches. It is further recommended to be at least two people to ensure that the assembly is handled correctly.

While assembling the dining table you should not rest, stand or walk on any parts of the product. When you have unpacked the modules do not allow children to play with it. The table is designed for indoor use only, and its appearance should not be modified in any way.



Step 1

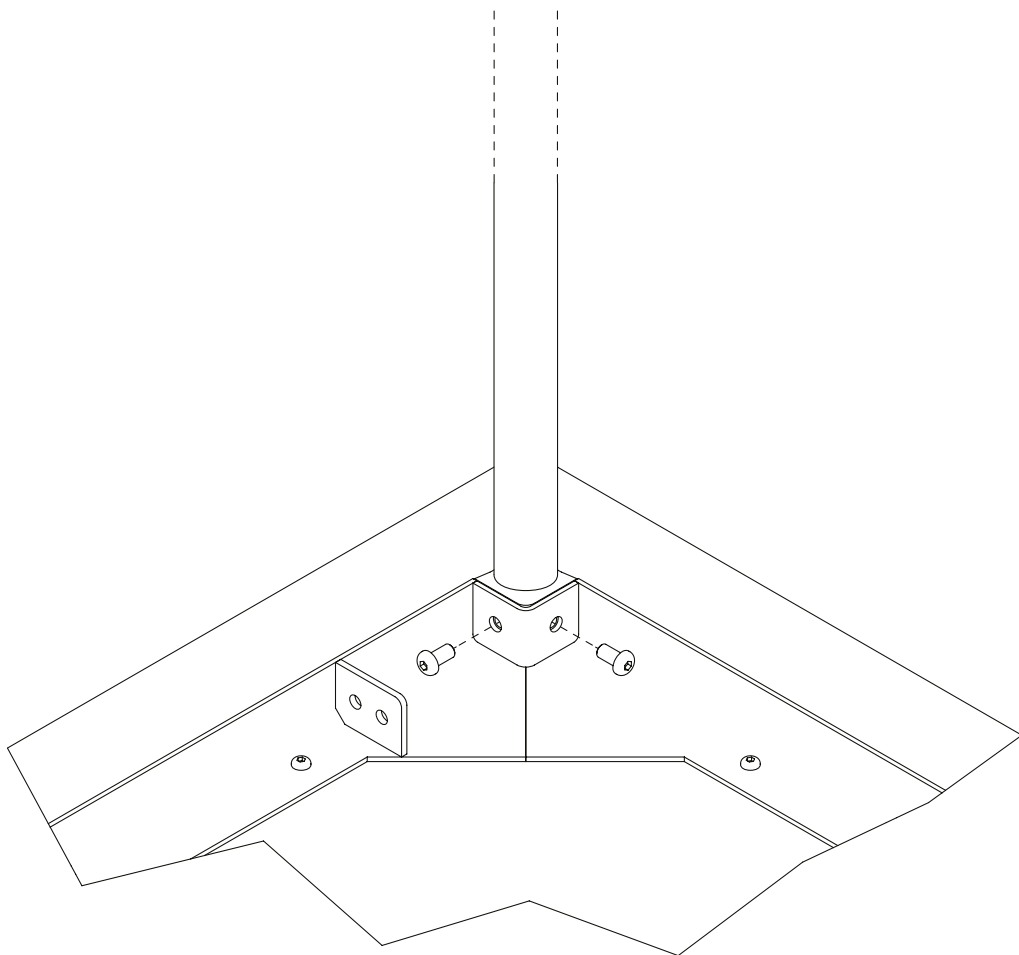
First, place the tabletop on a protective surface or carpet with the bottom facing upwards.



Step 2

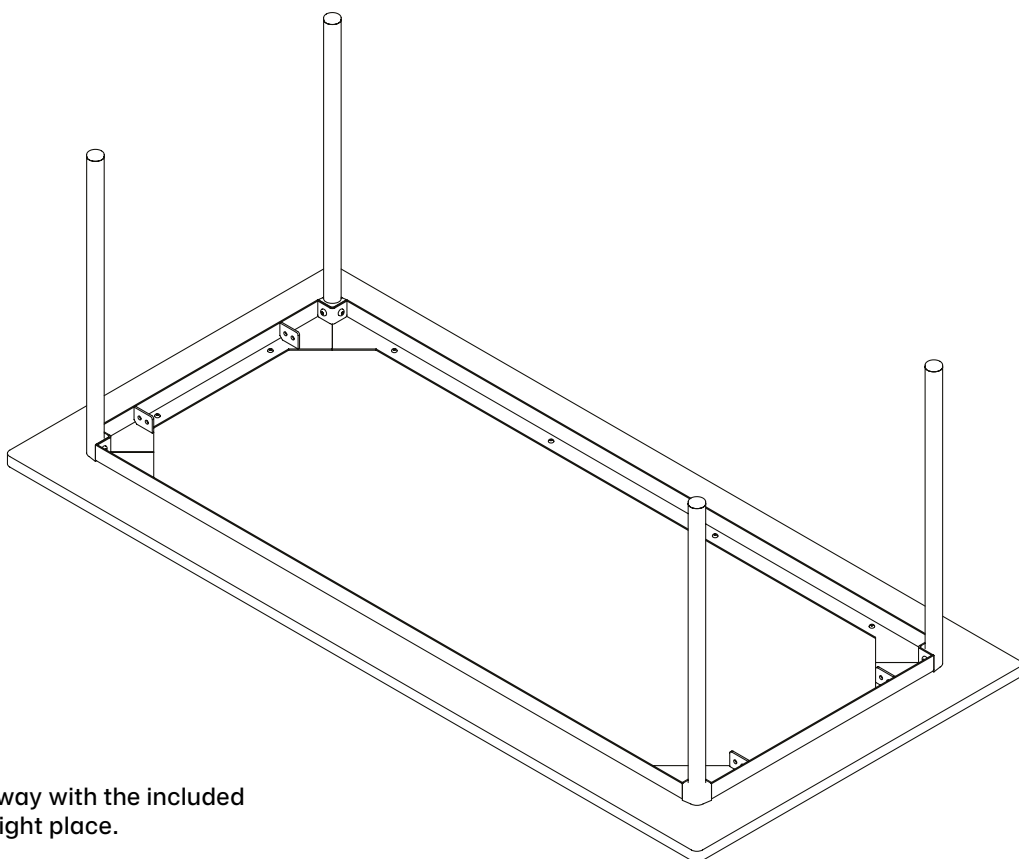
Align the inner frame with the tabletop. The holes in the frame should be directly on top of the holes in the tabletop.

Gently tighten the bolts with the supplied hex key. Do not tighten them all the way before all screws are in place.



Step 3

Place the legs in the corners and gently tighten the bolts with the supplied hex key. Do not tighten them all the way before all screws are in place.



Step 4

Last, gently tighten the bolts all the way with the included hex key when all the legs are in the right place. Finally, turn the table and enjoy.



Tablelab

tablelab.com