



COLLECT

shelf rectangular
assembly instructions

01

Please follow the assembly-instructions in this folder and keep it for future reference, to ensure that the product is used correctly. It is recommended to do the assembly on a protective surface or carpet to avoid scratches. It is further recommended to be at least two people to ensure that the assembly is handled correctly. While assembling the shelf rectangle you should not rest, stand or walk on any parts of the product. When you have unpacked the modules do not allow children to play with it. The shelf is designed for indoor use only, and its appearance should not be modified in any way.

A phillips head screws 12x



B bracket 2x



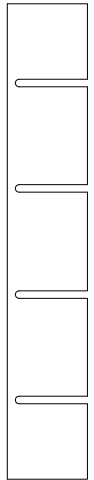
C bracket 2x



D shelf 2x

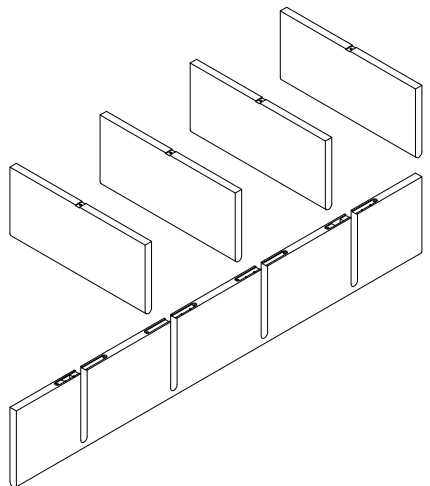


E wall panel

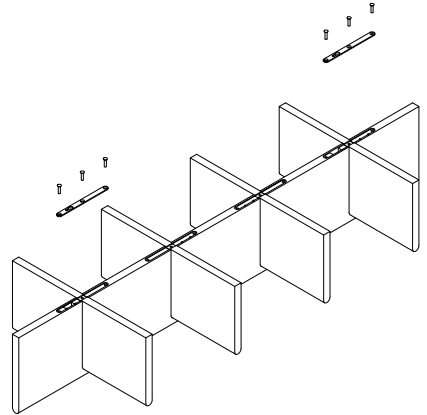


02

First, place the wall panels (E) on a protective surface or carpet with the bottom facing upwards. Then fit the shelves (D) into the frames of the wall panels (E).

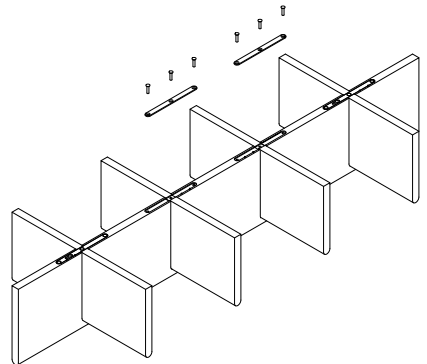


03

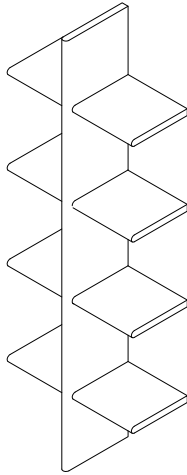


Next, place the brackets (B) and then tighten them with the phillips head screws (A).

04



Finally, place the brackets (C) and tighten them with the phillips head screws (A).



www.tablelab.com/collect
info@tablelab.com
[@tablelab_collect](https://www.instagram.com/tablelab_collect)