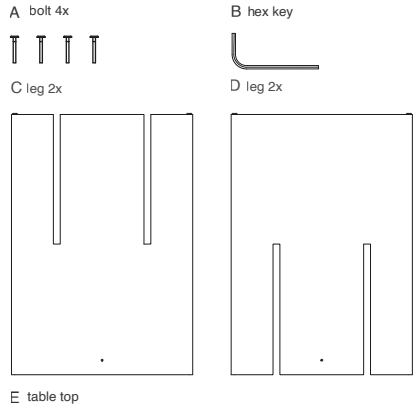




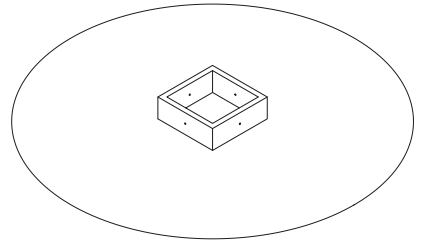
**COLLECT**

dining table  
assembly instructions

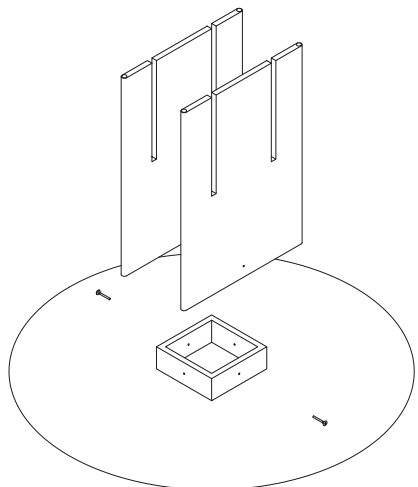
# 01



Please follow the assembly-instructions in this folder and keep it for future reference, to ensure that the product is used correctly. It is recommended to do the assembly on a protective surface or carpet to avoid scratches. It is further recommended to be at least two people to ensure that the assembly is handled correctly. While assembling the dining table you should not rest, stand or walk on any parts of the product. When you have unpacked the modules do not allow children to play with it. The table is designed for indoor use only, and its appearance should not be modified in any way.

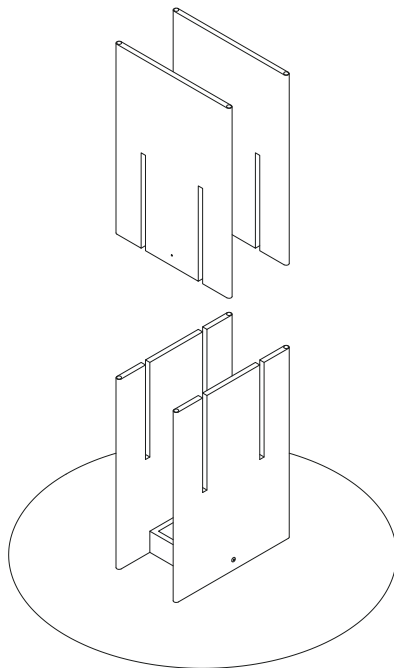


# 02



First, place the tabletop on a protective surface or carpet with the bottom facing upwards. Then fix the base panels (C) to opposite sides of the socket on the table top (E). Gently tighten the bolts (A) with the supplied hex key (B)

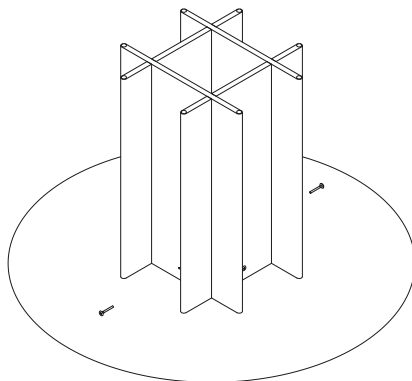
03



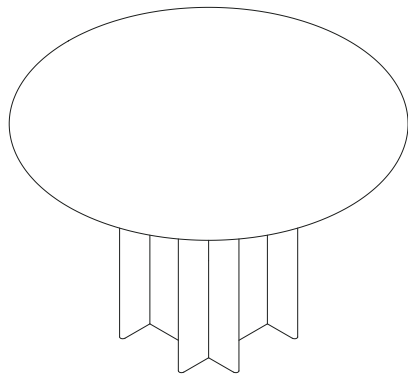
Next, fit the other base-panels (D) into the frame of the already fixed panels (C).

---

04



Last, gently tighten the bolts (A) with the included hex key (B) when all the panels are in the right place. Finally, turn the table and enjoy.



[www.tablelab.com/collect](http://www.tablelab.com/collect)  
[info@tablelab.com](mailto:info@tablelab.com)  
[@tablelab\\_collect](https://www.instagram.com/tablelab_collect)