



# Can-Am X3 6.5" Dash Panel Mount Installation Instructions

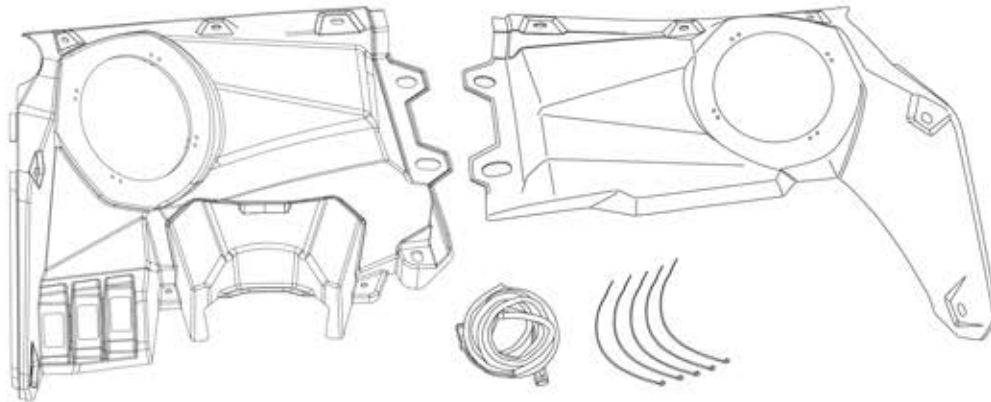
## BEFORE YOU BEGIN

1. Read these instructions and check to be sure all parts and tools are accounted for.
2. Please retain these installation instructions for future reference and parts ordering information

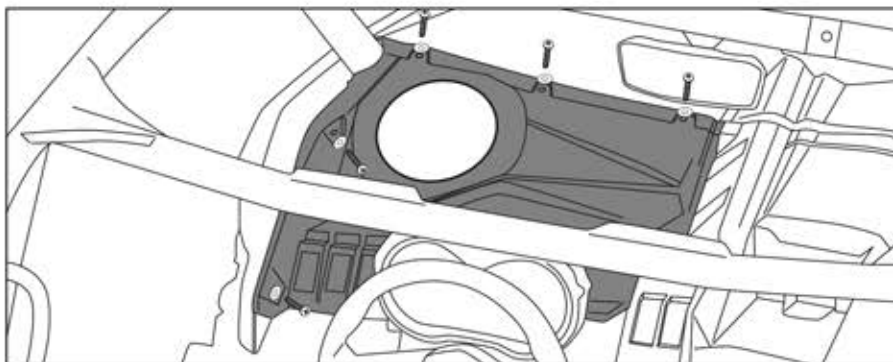
## IMPORTANT

1. Our product is a unique design for your vehicle.
2. Please read the installation instructions carefully before you start.
3. If the vehicle is clean and free of other debris, it will be easy to install.
4. For your safety and to ensure a satisfactory installation, please complete all the installation steps in the order shown below

## PRODUCT INFORMATION:



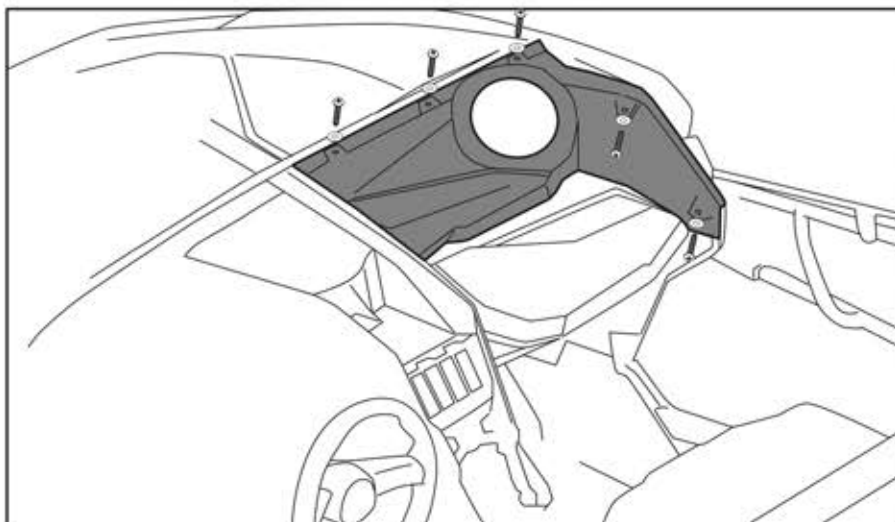
## INSTALLATION TIPS: DRIVER SIDE



1. Remove switches on lower left of original driver's side dash panel by depressing the tabs on the top and bottom of the back of switch.
2. Replace switches in the same locations within the new driver's side dash panel by simply pushing each into its mounting opening.
3. Ensure the clip retainers and washers from the original dash panel have been reinstalled correctly before proceeding.
4. Connect driver side speaker to your installed speaker wire. Crimp connectors may be needed to mate with speaker terminals.
5. Set panel temporarily in place without attaching any hardware or clips. Do not yet plug in switches in case amplifier adjustments are needed.

6. When installing speakers (sold separately), use #8 zinc or stainless screws that should be supplied with marine speakers. If screw holes do not line up, simply pre-drill panels with 9/64th" drill bit for proper fitment.

## **INSTALLATION TIPS: PASSENGER SIDE**



1. Locate the factory front left and right speaker panels and identify two mounting clip retainers and washers that need to be removed on each.
2. From bottom side, gently remove mounting clip retainers as indicated. This can be done with your fingers. Do this for both passenger and driver side.
3. Replace these mounting clip retainers and washers in the same locations of both speaker panels in your Can-Am X3 kit. It's a direct fit.
4. Connect passenger side speaker to your installed speaker wire. Crimp connectors may be needed to mate with speaker terminals.
5. Begin to set passenger side speaker panel in place by loading the edge nearest the center with the clip retainers into position as shown.
6. Pull center edge of panel up to align clips with the respective dash receiver holes. This is a crucial step to facilitate the correct overall panel fit.
7. Next, drop the speaker edge of panel into place. Attach lowest T-30 screw into place to allow check of final panel fit and to ensure all clip holes align.
8. Secure the front speaker panel by reinstalling all the remaining clips and hardware in the same locations removed during the disassembly process.
9. When installing speakers (sold separately), use #8 zinc or stainless screws that should be supplied with marine speakers. If screw holes do not line up, simply pre-drill panels with 9/64th" drill bit for proper fitment.



***WATCH DETAILED INSTALL VIDEOS***

***Do Not Return This Product!***

***NEED HELP?***

***-Call Us 4806162299***

***- Email Us: [info@utvstereo.com](mailto:info@utvstereo.com)***

***- Go To Product Page On Website & Watch Instruction Videos***