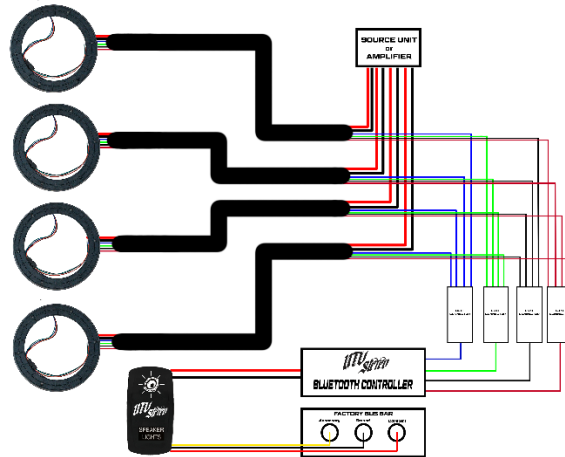


UTV Stereo RGB Speaker Rings (Pair) Kit Instructions

Compatible with all RGB compatible speakers
Need Help? Call Tech Support: (480)-616-2299
Email: info@utvstereo.com

Go to utvstereo.com for colored installation pictures & YouTube videos.



Instructions:

Wired into an RGB Controller = Multicolor cycling RGB Colors on Rings

or

Without RGB Controller = You must wire two wires together to get one solid color on Rings (RED, BLUE, or GREEN)

(i.e. Blue wire with black wire to get solid blue.)

Step 1: Disconnect battery.

Step 2: Place RGB Rings near each speaker.

Step 3: Route RGB wire from RGB rings to the RGB controller and amplifier. If you do not have an amplifier or RGB Controller, route wires to source unit. (Reference Wire Diagram)

Step 4: Mount "Speaker Lights" switch, route Red and Black wires (two wires side) from harness and connect it to the RGB controller with the EZ 2-pin connector. (Reference Wire Diagram)

Step 5: Route bus bar wires (Yellow, Black, Red) from harness (three wire side) to the factory bus bar. (Reference Wire Diagram)

Step 6: Take all wires coming from each speaker and RGB ring and butt connect each wire of matching color to the RGB EZ connector. (Reference Wire Diagram & Speaker Instructions)



Do Not Return This Product!

NEED HELP?

- Call Us (480) 616-2299

- Email Us: info@utvstereo.com

- Go To Product Page On Our Website & Watch Instruction Videos

RGB Rings Set Up / Whip Set Up

- **Step 1:** Download Magic LED Light V2 in app store.

SCAN QR CODE TO DOWNLOAD APP



- **Step 2:** Power on speakers, rings or whips.
- **Step 3:** Select the name of your speakers within the app.
Make sure to select the name within 60 seconds of powering on.
- **Step 4:** Type a custom name for your speaker or Whips.
- **Step 5:** Make sure RGB & GRB are selected on “Change Device Type”.

If you have both RGB Speaker Rings and RGB Speakers, simply connect them together at speaker location.

If you have UTV Stereo whips and speaker lights, you are able to sync them together by selecting “Add Group” in the app and giving it a group name.