

UTV Stereo
PERFORMANCE AUDIO

WARRANTY

Should your product require service, please consult with the dealer from which it was purchased or contact a local UTV STEREO dealer directly. Units received without an accompanying return authorization number will not be processed. Please contact your UTV Stereo dealer or contact UTV Stereo directly to obtain a return authorization number. Additionally, you must include a copy of your purchase receipt from an authorized UTV Stereo dealer for consideration of an in-warranty service. Units received without a receipt will be held for 30 days. Allowing us time to contact you and obtain a copy of the receipt. After 30 days, all units will be returned. For more information please visit our website.

⚠ DO NOT SUBMERGE THIS PRODUCT. THIS WILL VOID YOUR WARRANTY.

⚠ FAILURE TO FOLLOW INSTALLATION INSTRUCTIONS COULD VOID YOUR WARRANTY.

UTV STEREO and the UTV STEREO logo are registered trademarks. All other brand names are trademarks or registered trademarks of their respective owners. These trademark holders are not affiliated with UTV Stereo. All rights reserved. Designed in USA.

Copyright © 2023 UTV STEREO

Tel. 480-616-2299
Address: 7561 East Baseline Road Mesa, AZ 85209

Models:
UTVS-F12E1
UTVS-F12E2
FOR PERFORMANCE AUDIO APPLICATIONS

UTV Stereo
PERFORMANCE AUDIO

DESIGNED FOR
UTV - POWERSPORTS - MARINE

480.616.2299

UTVSTEREO.COM

ELITE SERIES
FLEX 12" SUBWOOFER



CONTENTS:

- Subwoofer Specifications
- Included Parts List
- Installation/Wiring Instructions

OWNERS MANUAL
FOR MODELS: UTVS-F12E1 & UTVS-F12E2

ELITE SERIES

FLEX 12" SUBWOOFER

SUBWOOFER COMPOSITION



COMPETITION QUALITY
COMPONENTS DESIGNED FOR
PERFORMANCE AUDIO
APPLICATIONS

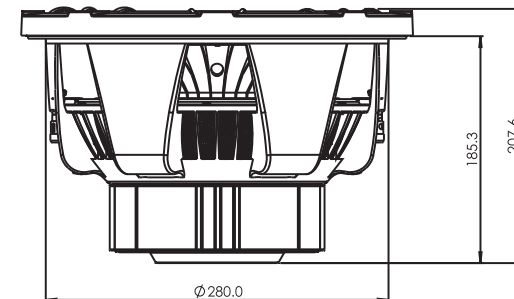
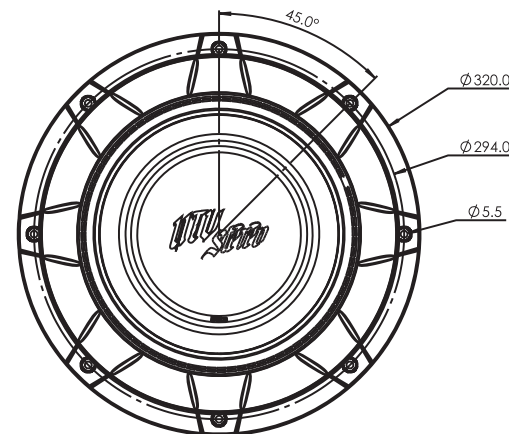
For Models:
DUAL 1 Ohm & DUAL 2 Ohm

- ① HIGH QUALITY, NBR DUAL STITCHED RUBBER SURROUND
- ② ELEMENT READY, INJECTION MOLDED DUST CAP
- ③ HIGH DENSITY POLYPROPYLENE CONE
- ④ 252mm (9.9") REINFORCED DUAL WEAVE SPIDER
- ⑤ PRESSURE DRIVEN VENTILATION SYSTEM
- ⑥ 170mm (6.7") MAGNET
- ⑦ 76.2mm (3") COPPER WOUND ALUMINUM COATED KAPTON™ VOICE COIL

ELITE SERIES

FLEX 12" SUBWOOFER

DIMENSIONS FOR INSTALL



SPECIFICATIONS

Frequency Response: **20Hz~500Hz**
 Nominal Impedance: **Dual 1 Ohm or Dual 2 Ohm**
 Sensitivity: **86dB @ 1W/1m**
 Continuous Power: **600W**
 Peak Power: **1300W**
 Mounting Diameter: **280mm**
 Mounting Depth: **185.3mm**

Recommended (SEALED) Air Space Range: Minimum: **0.6 cu ft.**
 Maximum: **1.5 cu ft.**
 Recommended (PORTED) Air Space Range: Minimum: **1.3 cu ft.**
 Maximum: **2.0 cu ft.**



Models:
&UTVS-F12E1
UTVS-F12E2
 FOR PERFORMANCE AUDIO APPLICATIONS

ELITE SERIES

FLEX 12" SUBWOOFER

INCLUDED PARTS LIST



ONE (1) ELITE SERIES
 FLEX 12" SUBWOOFER



4X50mm
 PAN HEAD PHILLIPS
 STAINLESS SCREWS
 X8

Models:
 UTVS-F12E1 OR UTVS-F12E2

THANK YOU FOR CHOOSING UTV STEREO PRODUCTS

Thank you for choosing UTV Stereo products. Your purchase of this UTV Stereo product for use in your UTV indicates your desire for reliability and performance audio that only comes from UTV Stereo.

UTV Stereo is your premier audio manufacturer. We offer the highest quality products designed for your SXS. Stay one step ahead when you purchase UTV Stereo products.

To take full advantage of the UTV Stereo Elite Series Flex 12" Subwoofer, please read and follow the instructions in this manual.

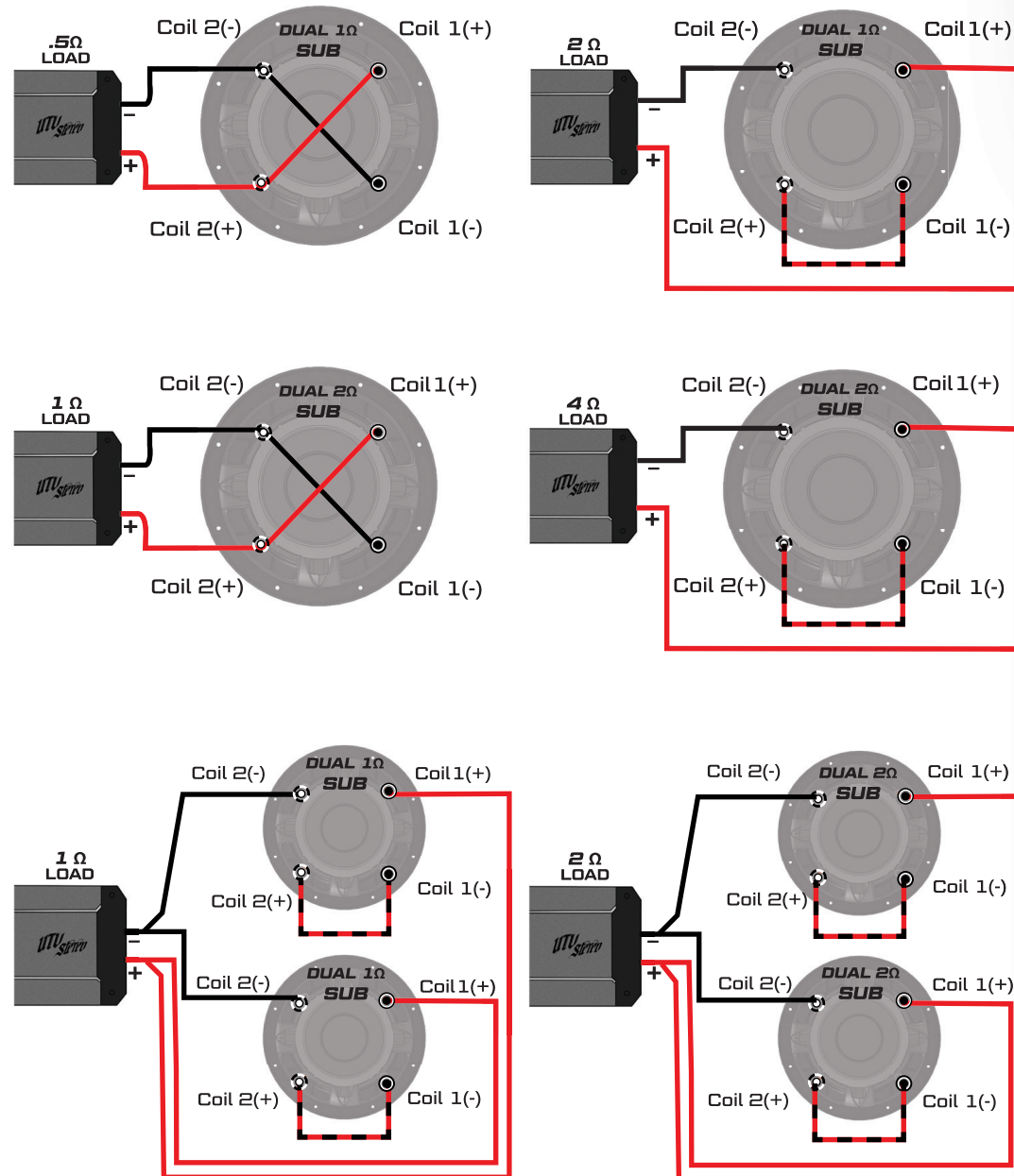
Designed for high performance audio systems, this subwoofer is built rugged to withstand the elements with an IP65 dustproof and water-resistant rating. These Elite Series Flex 12" Subwoofers have been designed specifically for use in SxS's!

INSTALLATION

Professional installation by an authorized UTV STEREO dealer is highly recommended! Otherwise, the performance of your new gear may not be satisfactory. In the event that you decide to do your own installation, please read and follow this manual very carefully. Failure to do so may compromise the integrity of this product or your vehicle, and possibly void this product's warranty.

WIRE DIAGRAM

(PER OHM LOAD)





OWNERS MANUAL <sup>UTVS-F12E1
& UTVS-F12E2</sup>
VISIT OUR RESOURCES PAGE ONLINE AT WWW.UTVSTEREO.COM/PAGES/RESOURCES

NOTES:

VIDEOS | INSTRUCTIONS | WIRE DIAGRAMS

SCAN QR CODE
WITH YOUR PHONE
CAMERA FOR QUICK LINK



NEED TO SPEAK WITH A UTV STEREO
PERFORMANCE AUDIO PROFESSIONAL?

EMAIL: info@utvstereo.com

We recommend including photos of your project to provide you with faster and more effective support.

OR

GIVE US A CALL: 480-616-2299

| Follow us on Social Media |



@utvstereo



fb.com/utvstereo



@UTVstereo

UTV - POWERSPORTS - MARINE

ADDITIONAL TECH SUPPORT?