

CONTACT

480-616-2299
info@utvstereo.com

UTV stereo

FLEX SERIES



10" LOW PROFILE SUBWOOFER



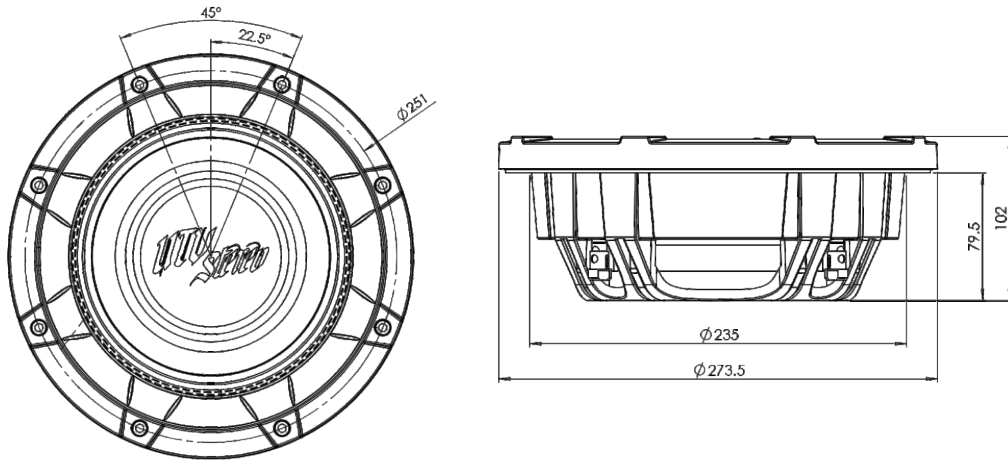
UTV stereo

FLEX SERIES

Manual for Models:
UTVS-F10LP1 AND UTVS-F10LP2

UTVS-F10LP

DIMENSIONS



SPECIFICATIONS

Speaker Size: 10 inch low profile subwoofer
 Amplifier Power Handling Minimum (RMS): 250W
 Amplifier Power Handling Maximum (RMS): 600W
 System Efficiency: 87dB±3dB @ 1W/1m
 Mounting Diameter: 235mm
 Mounting Depth: 79.5mm
 Options: Dual 1 ohm or Dual 2 ohm
 Sealed Enclosure Air Space: Minimum .4 cu. ft. Maximum 1.3 cu. ft.
 Ported Enclosure Air Space: Minimum 1.3 cu. ft. Maximum 1.8 cu. ft.

INSTRUCTIONS

Step 1: Pre-drill desired subwoofer enclosure.
 Step 2: Connect wires per ohm load wire diagram.
 Step 3: Place the subwoofer into the enclosure and mount subwoofer using provided hardware. (For sealed enclosures, make sure enclosure is air tight)
 Step 4: Tune stereo system.

WIRE DIAGRAM (PER OHM LOAD)

