

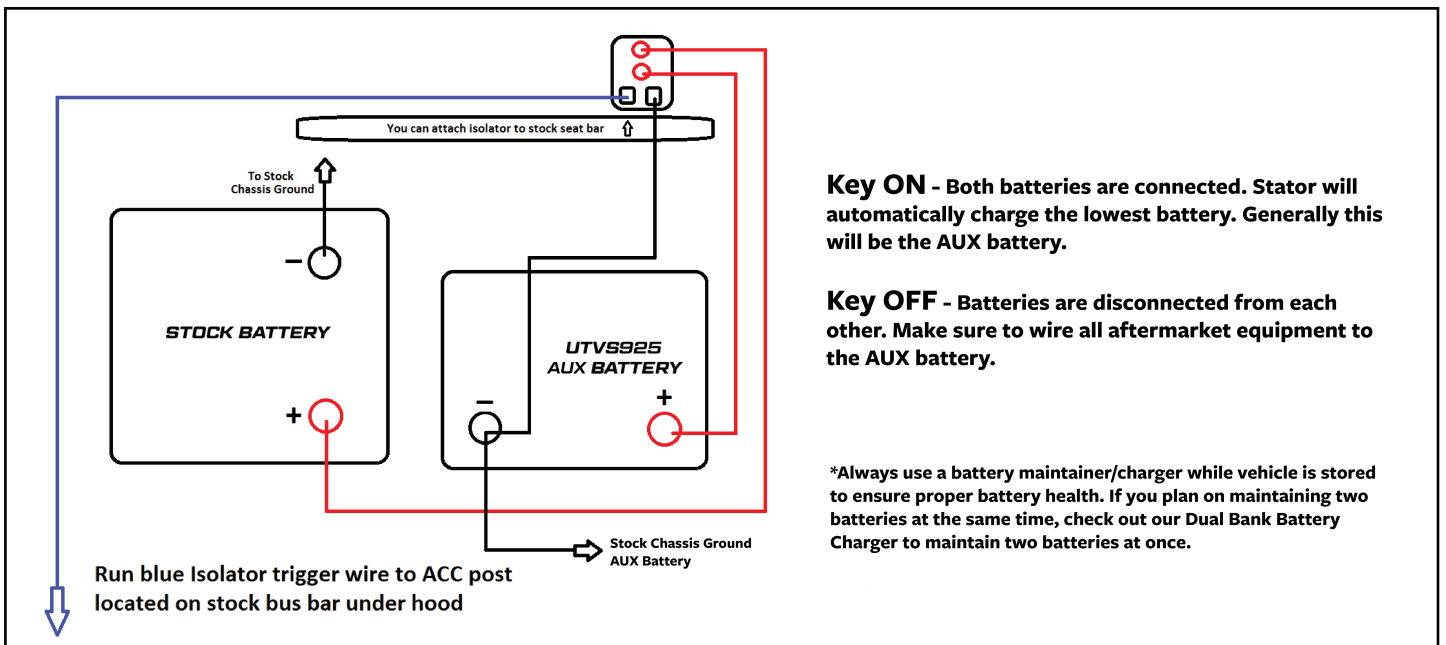
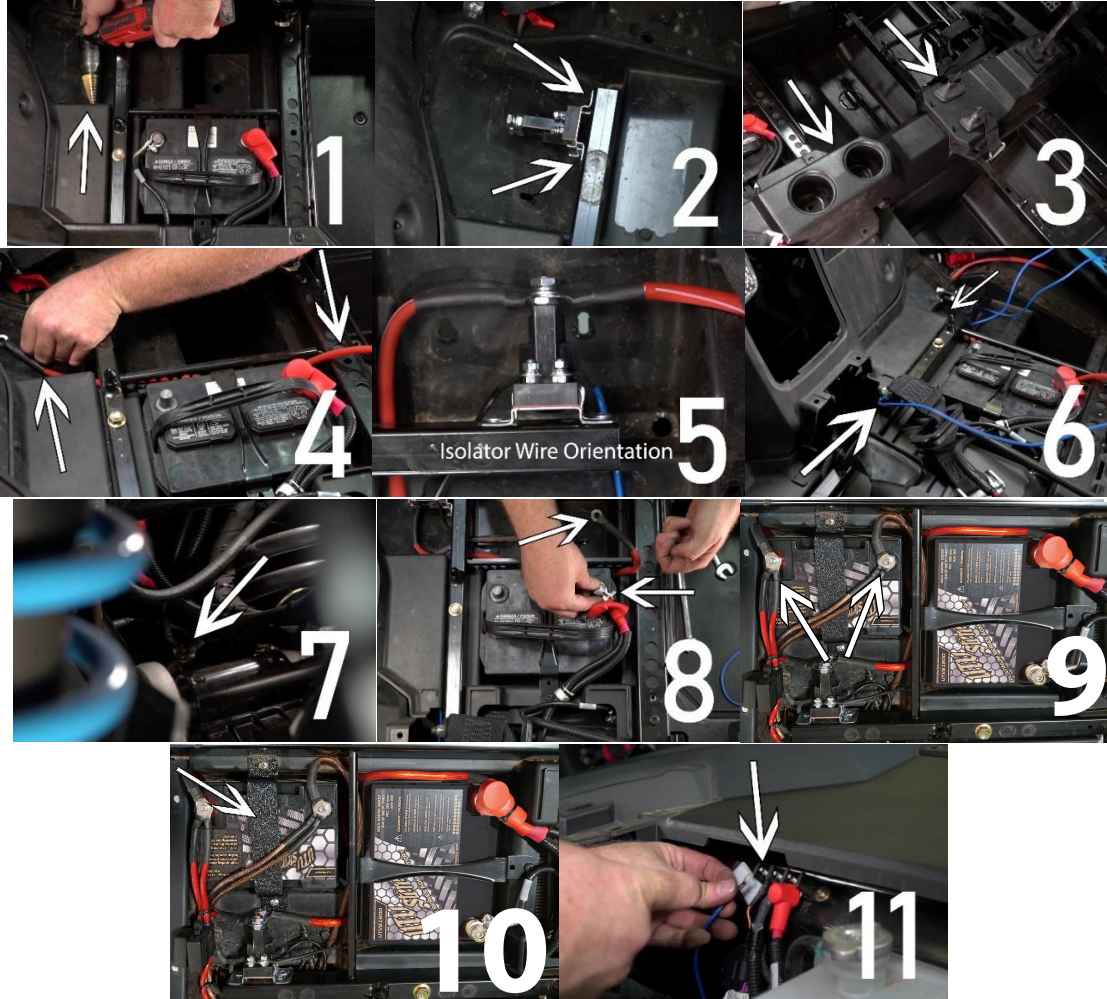
Polaris RZR 2nd Battery Kit

Compatible with all Polaris RZR XP.

Need Help? Call Tech Support: (480)-616-2299

Email: info@utvstereo.com

Go to utvstereo.com for colored installation pictures & YouTube videos.



Parts List:

- 1 - AGM Battery
- 1 - Battery Mount
- 1 - 80 Amp Battery Isolator Relay
- 1 - 18 AWG Black Wire
- 1 - 18 AWG Blue Wire
- 1 - 8 AWG Black Wire
- 2 - 8 AWG Red Wires
- 2 - Self Tapping Screws
- 2 - Philips Head Screws

Instructions

- Step 1: Drill hole using a uni-bit. Make sure there is not a factory harness behind the plastic where you'll be drilling. (Reference arrow for drilling location in Picture 1)
- Step 2: Mount the isolator using the self-tapping screws Make sure the isolator does not come up over the height of the bar, it will interfere with the seat base going back into the vehicle. (Reference Picture 2)
- Step 3: Remove the center consoles by removing the 7 T40 screws and plastic push pins. Disconnect the seat belt harness and the cigarette lighter harness when removing the center console. (Reference Picture 3)
- Step 4: Disconnect the negative terminal on the starting battery.
- Step 5: Grab the longer red 8awg wire and run it underneath the crossbars from the isolator to the starting battery. (Reference Picture 4)
- Step 6: Connect the longer red 8awg wire to the bottom terminal of the isolator. (Reference Picture 5)
- Step 7: Grab the shorter 8awg wire and connect it to the top terminal of the isolator. (Reference Picture 5)
- Step 8: Grab the 18awg black wire and connect it to the bottom left terminal of the isolator (Reference Picture 5)
- Step 9: Grab the 18awg blue wire and connect it to the bottom right terminal of the isolator. (Reference Picture 5)
- Step 10: Route blue 18awg wire through the hole you drilled during "step 1" to the center console. (Reference Picture 6)
- Step 11: Grab the 8awg black wire and route half of the wire through the same hole and connect it to the factory ground post under the rear driver side wheel well. (Reference Picture 7)
- Step 12: Grab the end of the longer red 8awg wire and connect it to the positive terminal of the starting battery. (Reference Picture 8)
- Step 13: Grab the end of the shorter red 8awg wire and connect it to the UTV Stereo accessory battery. If you have any accessories that you want to run off the 2nd battery, connect their positive wire to this terminal as well. (Reference Picture 9)
- Step 14: Grab the black 8awg wire and black 18awg wire and connect them to the negative terminal of the UTV Stereo accessory battery. If you have any accessories that you want to run off the 2nd battery, connect their negative wire to this terminal as well. (Reference Picture 9)
- Step 15: Pre-drill and use the large Philips head screws to mount the battery bracket over the battery. Make sure the longer end of the bracket is placed towards the back of the vehicle. (Reference Picture 10)
- Step 16: Reconnect factory ground wire for starting battery.
- Step 17: Route and zip tie blue 18awg wire following the factory harness from the center console, through the firewall, and up to the accessory post underneath the hood.
- Step 18: Install blue wire onto accessory post. (Reference Picture 11)
- Step 19: Coil and zip tie excess wire underneath the center console.
- Step 20: Turn ignition key to the on position. If, you hear a "click" from the isolator your 2nd battery kit has been installed successfully.