

SCAN QR CODE TO DOWNLOAD

Magic LED Light V2 in app store.



Do Not Return This Product!

NEED HELP?

- Call Us 4806 162299

- Email Us: info@utvstereo.com

- Go To Product Page On Website & Watch Instruction Videos



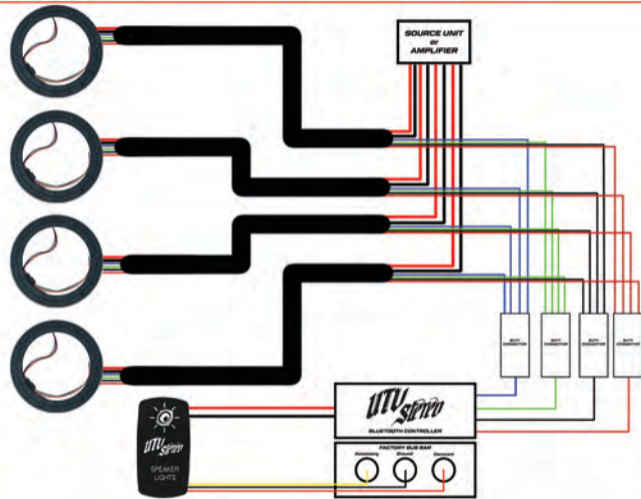
6.5" and 8" RGB Speaker Rings Instructions

Parts List

• RGB Speaker Rings (2 pack)

QTY

1



RGB Speaker Rings Instructions

Step 1: Disconnect battery.

Step 2: Place RGB controller near the amplifier.

Step 3: Route RGB wire from RGB rings to the RGB controller and amplifier. If you do not have an amplifier, route wires to source unit. (Reference Wire Diagram)

Step 4: Mount "Speaker Lights" switch, route red and black wires, and connect it to the RGB controller. Then route bus bar wires to the factory bus bar. (Reference Wire Diagram)

Step 5: Take all wires coming from each speaker and RGB ring and butt connect each wire of matching color to the RGB EZ connector. (Reference Wire Diagram & Speaker Instructions)

Step 6: Make speaker wire connections to amplifier / source unit. (Reference Wire Diagram)

RGB Speaker Rings App Set Up

Step 1: Download Magic LED Light V2 in app store.

Step 2: Power on speakers, RGB Rings or whips.

Step 3: Select the name of your speakers within the app. Make sure to select the name within 60 seconds of powering on.

Step 4: Type a custom name for your speaker or whips.

Step 5: Make sure RGB & GRB are selected on "Change Device Type".

If you have both RGB Speaker Rings and RGB Speakers, simply connect them together at speaker location.

If you have UTV Stereo whips and speaker lights, you are able to sync them together by selecting "Add Group" in the app and giving it a group name.