

# UTV Stereo

PERFORMANCE AUDIO

Model:  
UTVS-RZR-VENC-DASH

DESIGNED FOR  
UTV - POWERSPORTS - MARINE

480.616.2299  [UTVSTEREO.COM](http://UTVSTEREO.COM)



**CONTENTS:**

- Included Parts List
- Installation Instructions

**OWNERS MANUAL**

FOR MODEL: UTVS-RZR-VENC-DASH

**VENTED 10"**  
SUBWOOFER ENCLOSURE

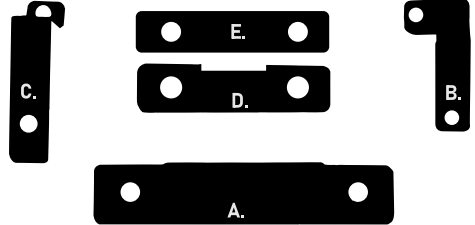
# VENTED 10"

SUBWOOFER ENCLOSURE

## INCLUDED PARTS LIST



ONE (1) UTV STEREO 10" VENTED  
SUBWOOFER ENCLOSURE  
(Subwoofer Sold Separately)



(4) HEAVY DUTY MOUNTING BRACKETS:

Includes:

- A. (1) HEAVY-DUTY CENTER BRACKET
- B. (1) HEAVY-DUTY RIGHT SIDE BRACKET
- C. (1) HEAVY-DUTY LEFT SIDE BRACKET
- D. (1) HEAVY-DUTY '19+ GRAB HANDLE BRACKET
- E. (1) PLASTIC SPACER

(1) MOUNTING HARDWARE

## THANK YOU FOR CHOOSING UTV STEREO PRODUCTS

Thank you for choosing UTV Stereo products. Your purchase of this UTV Stereo product for use in your UTV indicates your desire for reliability and performance audio that only comes from UTV Stereo.

UTV Stereo is your premier audio manufacturer. We offer the highest quality products designed for your SXS. Stay one step ahead when you purchase UTV Stereo products.

To take full advantage of the UTV Stereo 10" Vented Subwoofer Enclosure, please read and follow the instructions in this manual.

Designed for high performance audio systems, this enclosure is built rugged to withstand the elements. This 10" Vented Enclosure has been designed specifically for use in your SxS!

## INSTALLATION

Professional installation by an authorized UTV STEREO dealer is highly recommended! Otherwise, the performance of your new gear may not be satisfactory. In the event that you decide to do your own installation, please read and follow this manual very carefully. Failure to do so may compromise the integrity of this product or your vehicle, and possibly void this product's warranty.

# KEY INSTALL TIPS:

## KEY NOTES:

- Metal brackets are designed to flex when bolts are secured.
- Make sure to push sub enclosure all the way to the front of the vehicle when tightening bolts.
- Make sure there is nothing on the plastic firewall area preventing the subwoofer enclosure from proper positioning.
- Make sure there are no screws through the firewall that would prevent proper mounting of the enclosure.

---

**NEED TO SPEAK WITH A UTV STEREO  
PERFORMANCE AUDIO PROFESSIONAL?**

**EMAIL: [info@utvstereo.com](mailto:info@utvstereo.com)**

We recommend including photos of your project to provide you with faster and more effective support.

**OR**

**GIVE US A CALL: 480-616-2299**

| Follow us on Social Media |



@utvstereo



fb.com/utvstereo



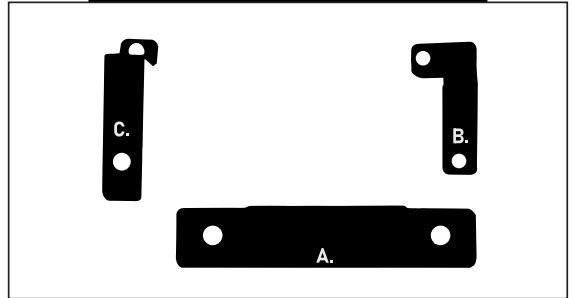
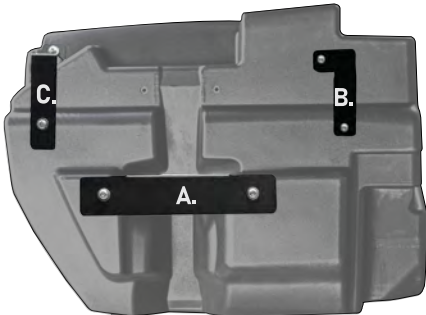
@UTVstereo

# '14-'18 RZR VENTED SUBWOOFER ENCLOSURE INSTALLATION

Designed to fit PERFECTLY into the FRONT OEM GLOVE BOX location in your vehicle.

## **INSTALLATION INSTRUCTIONS: UTVS-RZR-VENC-DASH**

### BRACKETS REQUIRED FOR INSTALL



'14-'18 RZR Models

BRACKETS USED: A. B. C.

## RZR Models '14-'18 DASH DISASSEMBLY:

- Step 1:** Remove front hood then remove the (2) Torx bolts that secure the upper center of the dash. Remove the dash by gently pulling it towards the back of the vehicle. You may set the center dash on the drivers side for now.
- Step 2:** Remove the (1) remaining Torx bolt that secures the center dash pocket. Remove the center dash pocket. Remove the (2) Torx bolts in the center of the dash. You may now carefully release the panel clips along the edge of the dash by pulling toward the rear of the vehicle. Set front dash aside.
- Step 3:** To remove the OEM glove box, extract the two 10mm bolts near the center on top of the box. Save 10mm bolts for re- installation. Slide the glove box out towards the back of the vehicle.

## '14-'18 RZR VENTED SUBWOOFER ENCLOSURE INSTALLATION CONT.

Designed to fit PERFECTLY into the FRONT OEM GLOVE BOX location in your vehicle.

### **INSTALLATION INSTRUCTIONS CONT.: UTVS-RZR-VENC-DASH**

## RZR Models '14-'18

### **VENTED 10" ENCLOSURE ASSEMBLY & INSTALL:**

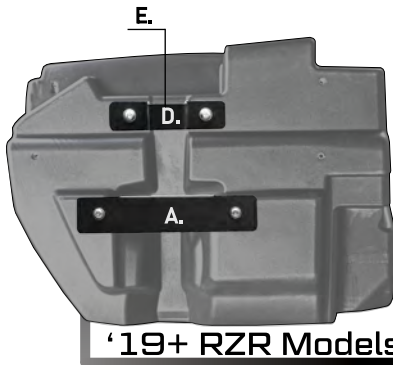
- Step 1:** Run your subwoofer wire through the rubber grommet on passenger side of box and connect it to the subwoofer.
- Step 2:** Pre-drill subwoofer mounting holes using 9/64" drill bit. Silicone and mount the subwoofer into the enclosure and secure with mounting screws. Clean any excess silicone with a wet towel.
- Step 3:** Plug ("D") mounting holes on the enclosure with included ("D") bracket hardware.
- Step 4:** Secure the ("A") bracket with the 10mm bolts that were removed from the top of the glove box into the same OEM holes. Enclosure mounting holes should face the front of vehicle. Lift the loaded vented enclosure into the passenger side dash and align the top cutout with the grab handle bar. While holding enclosure in place, loosely secure enclosure to the "A" bracket using the included hardware. The enclosure should hang from the ("A") flat center bracket.
- Step 5:** Bolt the two remaining brackets starting with the "B" right side bracket then the "C" left side bracket loosely onto the enclosure using included hardware.
- Step 6:** Tighten all mounting bracket hardware. Run the subwoofer wire from the grommet to the amplifier.

**-Refer to NOTES Page# 07-**

# '19+ RZR VENTED SUBWOOFER ENCLOSURE INSTALLATION

Designed to fit PERFECTLY into the FRONT OEM GLOVE BOX location in your vehicle.

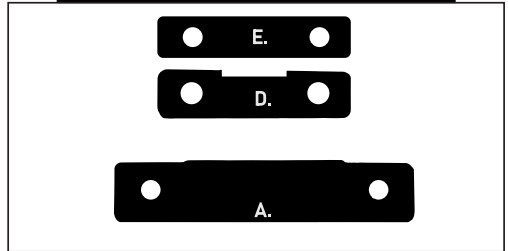
## INSTALLATION INSTRUCTIONS: UTVS-RZR-VEVC-DASH



'19+ RZR Models

BRACKETS USED: A. D. E.

### BRACKETS REQUIRED FOR INSTALL



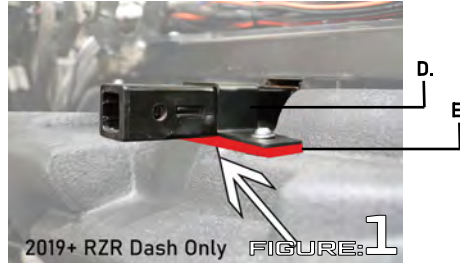
## RZR Models '19+ DASH DISASSEMBLY:

- Step 1:** Remove hood by turning the hood locks then remove the (2) push pins from the upper center dash and remove panel. Remove the (4) Torx bolts then remove the dash by gently pulling up and towards the rear of the vehicle to unclip. Now remove the upper dash.
- Step 2:** Remove the (4) Torx bolts around the ride command system then the (2) push pins inside the upper glove box pocket. *\*Please note\* If your vehicle is not equipped with ride command less hardware may require removal.*
- Step 3:** Remove the (1) remaining Torx bolt that secures the lower part of the center dash pocket.
- Step 4:** Unclip the dash from the glove box. Gently pull the dash towards rear of vehicle and remove the upper glove box pocket.
- Step 5:** Take photos of switch harnesses directly above the center dash pocket to refer to later when re-assembling then disconnect switches. Remove lower dash.
- Step 6:** Remove (2) 10mm bolts that secure the OEM glove box and save bolts for re-installation. Remove glove box from vehicle.

# '19+ RZR VENTED SUBWOOFER ENCLOSURE INSTALLATION CONT.

Designed to fit PERFECTLY into the FRONT OEM GLOVE BOX location in your vehicle.

## **INSTALLATION INSTRUCTIONS CONT.: UTVS-RZR-VENC-DASH**



### **VENTED 10" ENCLOSURE ASSEMBLY & INSTALL:**

- Step 1:** Run your subwoofer wire through the rubber grommet on the passenger side of box and connect it to the subwoofer.
- Step 2:** Pre-drill subwoofer mounting holes using 9/64" drill bit. Silicone and mount the subwoofer into the enclosure and secure with mounting screws. Clean excess silicone with wet towel.
- Step 3:** Plug ("B" & "C") mounting holes on the enclosure with included ("B" & "C") bracket hardware.
- Step 4:** Secure the ("A") bracket with the 10mm bolts that were removed from the top of the glove box into the same OEM holes. Enclosure mounting holes should face the front of vehicle. Lift the loaded vented enclosure into the passenger side dash and align the top cutout with the grab handle bar. While holding enclosure in place, loosely secure enclosure to the "A" bracket using the included hardware. The enclosure should hang from the ("A") flat center bracket.
- Step 5:** Insert spacer ("E") between the enclosure and the dash frame then secure remaining ("D") bracket over ("E") spacer and dash frame (**Figure # 1 - Red = "E" Spacer**). Secure loosely onto the enclosure using included hardware.
- Step 6:** Tighten all mounting bracket hardware. Run the subwoofer wire from the grommet to the amplifier.

**-Refer to NOTES Page# 07-**



# UTV STEREO

PERFORMANCE AUDIO

## WARRANTY

Should your product require service, please consult with the dealer from which it was purchased or contact a local UTV STEREO dealer directly. Units received without an accompanying return authorization number will not be processed. Please contact your UTV Stereo dealer or contact UTV Stereo directly to obtain a return authorization number. Additionally, you must include a copy of your purchase receipt from an authorized UTV Stereo dealer for consideration of an in-warranty service. Units received without a receipt will be held for 30 days. Allowing us time to contact you and obtain a copy of the receipt. After 30 days, all units will be returned. For more information please visit our website.



**DO NOT SUBMERGE THIS PRODUCT.  
THIS WILL VOID YOUR WARRANTY.**



**FAILURE TO FOLLOW INSTALLATION  
INSTRUCTIONS COULD VOID  
YOUR WARRANTY.**

UTV STEREO and the UTV STEREO logo are registered trademarks.  
All other brand names are trademarks or registered trademarks of their respective owners.  
These trademark holders are not affiliated with UTV Stereo.  
All rights reserved. Designed in USA.

Copyright© 2023 UTV STEREO

Tel. 480-616-2299  
Address: 7561 East Baseline Road Mesa, AZ 85209



# NOTICE:

PLEASE USE INCLUDED ANTI-SEIZE LUBRICANT ON THE BOLTS  
AND HAND TIGHTEN THEM.

**DO NOT USE AN IMPACT WRENCH ON THE ENCLOSURE  
AS YOU MAY DAMAGE IT**



\*INCLUDED

**UTV Stereo**  
PERFORMANCE AUDIO