



WARRANTY

Should your product require service, please consult with the dealer from which it was purchased or contact a local UTV STEREO dealer directly. Units received without an accompanying return authorization number will not be processed. Please contact your UTV Stereo dealer or contact UTV Stereo directly to obtain a return authorization number. Additionally, you must include a copy of your purchase receipt from an authorized UTV Stereo dealer for consideration of an in-warranty service. Units received without a receipt will be held for 30 days. Allowing us time to contact you and obtain a copy of the receipt. After 30 days, all units will be returned. For more information please visit our website.

⚠ DO NOT SUBMERGE THIS PRODUCT. THIS WILL VOID YOUR WARRANTY.

⚠ FAILURE TO FOLLOW INSTALLATION INSTRUCTIONS COULD VOID YOUR WARRANTY.

UTV STEREO and the UTV STEREO logo are registered trademarks. All other brand names are trademarks or registered trademarks of their respective owners. These trademark holders are not affiliated with UTV Stereo. All rights reserved. Designed in USA.

Copyright © 2023 UTV STEREO

Tel. 480-616-2299
Address: 7561 East Baseline Road Mesa, AZ 85209

Designed in USA

utvstereo.com



Models:
**UTVS-E654
& UTVS-E84**
FOR PERFORMANCE AUDIO APPLICATIONS

DESIGNED FOR
UTV - POWERSPORTS - MARINE

480.616.2299  UTVSTEREO.COM

ELITE SERIES
COMPRESSION HORN SPEAKERS



CONTENTS:

- Speaker Specifications
- Included Parts List
- Installation Instructions

OWNERS MANUAL
FOR MODELS: UTVS-E654 & UTVS-E84

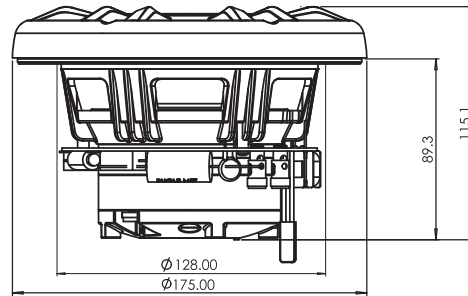
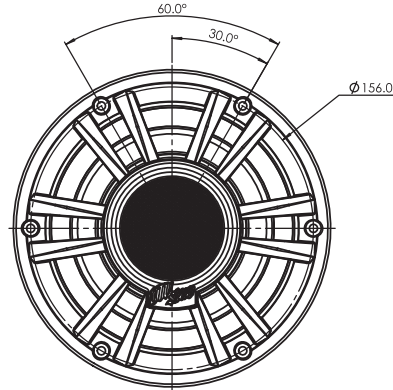
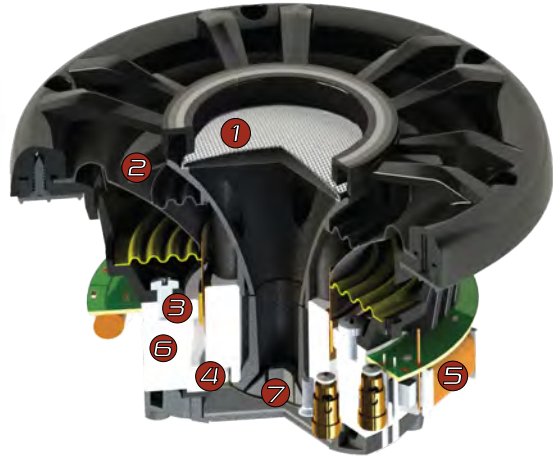
Designed in USA

utvstereo.com

ELITE SERIES

6.5" COMPRESSION HORN **SPEAKERS**

SPEAKER COMPOSITION



- ① ALUMINUM MESH GRILLE
- ② POLYPROPYLENE CONE
- ③ 51.6mm (2.03") KAPTON VOICE COIL (WOOFER)
- ④ 34.4mm (1.35") VOICE COIL (TWEETER)
- ⑤ BUILT IN CROSSOVER
- ⑥ 109.6mm (4.3") NEODYMIUM MAGNET
- ⑦ 35mm (1.4") PREMIUM PEEK DOME (TWEETER)

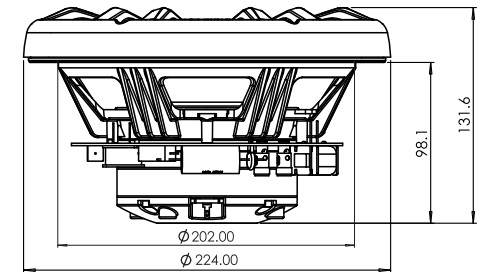
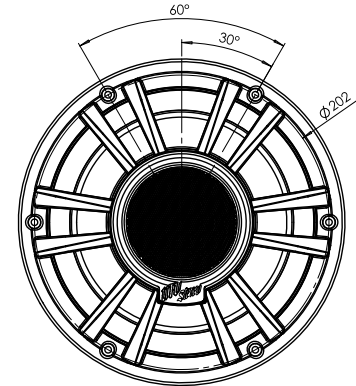
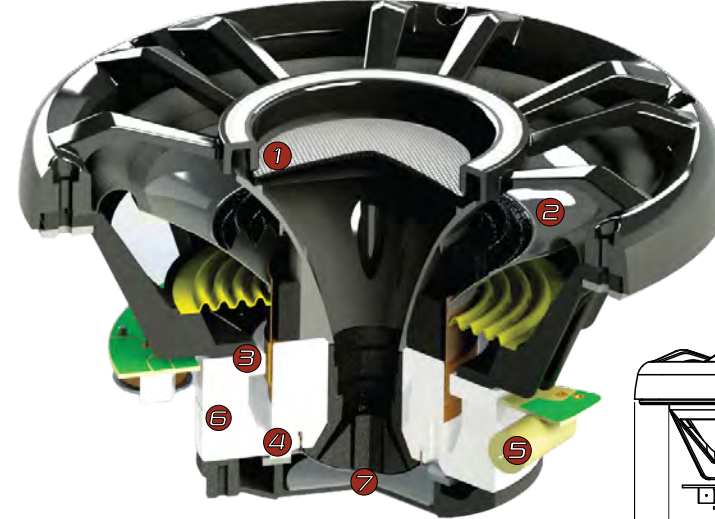
SPECIFICATIONS

Frequency Response: **50Hz~20KHz**
 Nominal Impedance: **4 Ohm**
 Sensitivity: **91dB @ 1W/1m**
 Continuous Power: **150W**
 Peak Power: **600W**
 Mounting Diameter: **128mm**
 Mounting Depth: **89.30mm**

ELITE SERIES

8" COMPRESSION HORN **SPEAKERS**

SPEAKER COMPOSITION



- ① ALUMINUM MESH GRILLE
- ② POLYPROPYLENE CONE
- ③ 63.5mm (2.5") KAPTON VOICE COIL (WOOFER)
- ④ 44.4mm (1.75") VOICE COIL (TWEETER)
- ⑤ BUILT IN CROSSOVER
- ⑥ 109.6mm (4.3") NEODYMIUM MAGNET
- ⑦ 44.7mm (1.76") PREMIUM PEEK DOME (TWEETER)

SPECIFICATIONS

Frequency Response: **40Hz~20KHz**
 Nominal Impedance: **4 Ohm**
 Sensitivity: **93dB @ 1W/1m**
 Continuous Power: **150W**
 Peak Power: **600W**
 Mounting Diameter: **202mm**
 Mounting Depth: **98.1mm**

ELITE SERIES

COMPRESSION HORN SPEAKERS

INCLUDED PARTS LIST



THANK YOU FOR CHOOSING UTV STEREO PRODUCTS

Thank you for choosing UTV Stereo products. Your purchase of this UTV Stereo product for use in your UTV indicates your desire for reliability and performance audio that only comes from UTV Stereo.

UTV Stereo is your premier audio manufacturer. We offer the highest quality products designed for your SXS. Stay one step ahead when you purchase UTV Stereo products.

To take full advantage of the UTV Stereo Elite Series Compression Horns, please read and follow the instructions in this manual.

Designed for high performance audio systems, these speakers are built rugged to withstand the elements with an IP65 dustproof and water-resistant rating. These Elite Series Compression Horn Speakers have been designed specifically for use in SxS's!

INSTALLATION

Professional installation by an authorized UTV STEREO dealer is highly recommended! Otherwise, the performance of your new gear may not be satisfactory. In the event that you decide to do your own installation, please read and follow this manual very carefully. Failure to do so may compromise the integrity of this product or your vehicle, and possibly void this product's warranty.

COMPRESSION HORN INSTALLATION

Designed to fit PERFECTLY into the UTV STEREO
 UTVS-CP65 Signature 6.5" Cage Mount Pods (Sold Separately).

INSTALLATION INSTRUCTIONS: UTVS-E654

- Step 1:** Verify that mounting diameter and depth of enclosures will accept the UTVS 6.5" Compression Horn Speakers.
- Step 2:** Pre-drill mounting holes in the enclosures.
- Step 3:** Connect the Red (Positive) speaker wire from the amplifier to the speaker.
- Step 4:** Connect Black (Negative) speaker wire from the amplifier to the speaker.
- Step 5:** Mount speakers into the enclosures using included hardware. Make sure to follow the install instructions that were included with your enclosures.
- Step 6:** Tune your new system.

Designed to fit PERFECTLY into the UTV STEREO
 UTVS-ECP8 Elite 8" Cage Mount Pods (Sold Separately).

INSTALLATION INSTRUCTIONS: UTVS-E84

- Step 1:** Verify that mounting diameter and depth of enclosures will accept the UTVS 8" Compression Horn Speakers.
- Step 2:** Pre-drill mounting holes in the enclosures.
- Step 3:** Connect the Red (Positive) speaker wire from the amplifier to the speaker.
- Step 4:** Connect Black (Negative) speaker wire from the amplifier to the speaker.
- Step 5:** Mount speakers into the enclosures using included hardware. Make sure to follow the install instructions that were included with your enclosures.
- Step 6:** Tune your new system.

OWNERS MANUAL

UTVS-E654
& UTVS-E84

VISIT OUR RESOURCES PAGE ONLINE AT WWW.UTVSTEREO.COM/PAGES/RESOURCES

VIDEOS | INSTRUCTIONS | WIRE DIAGRAMS

SCAN QR CODE
WITH YOUR PHONE
CAMERA FOR QUICK LINK



NEED TO SPEAK WITH A UTV STEREO
PERFORMANCE AUDIO PROFESSIONAL?

EMAIL: info@utvstereo.com

We recommend including photos of your project to provide you with faster and more effective support.

OR

GIVE US A CALL: 480-616-2299

| Follow us on Social Media |



@utvstereo



fb.com/utvstereo



@UTVstereo

NOTES:

UTV - POWERSPORTS - MARINE

ADDITIONAL TECH SUPPORT?